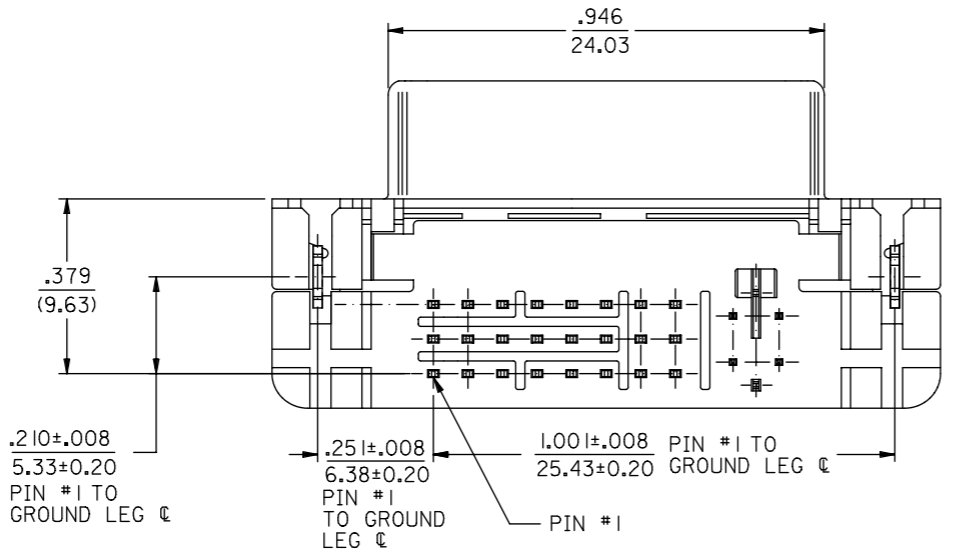
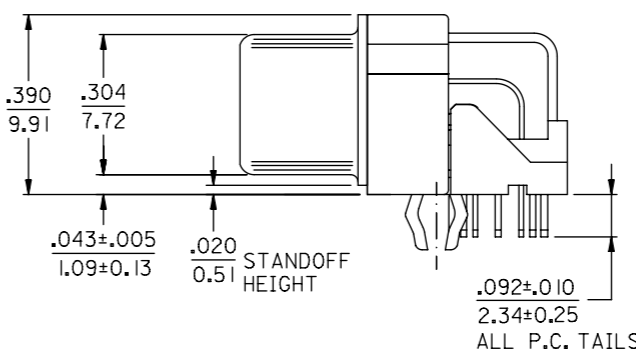
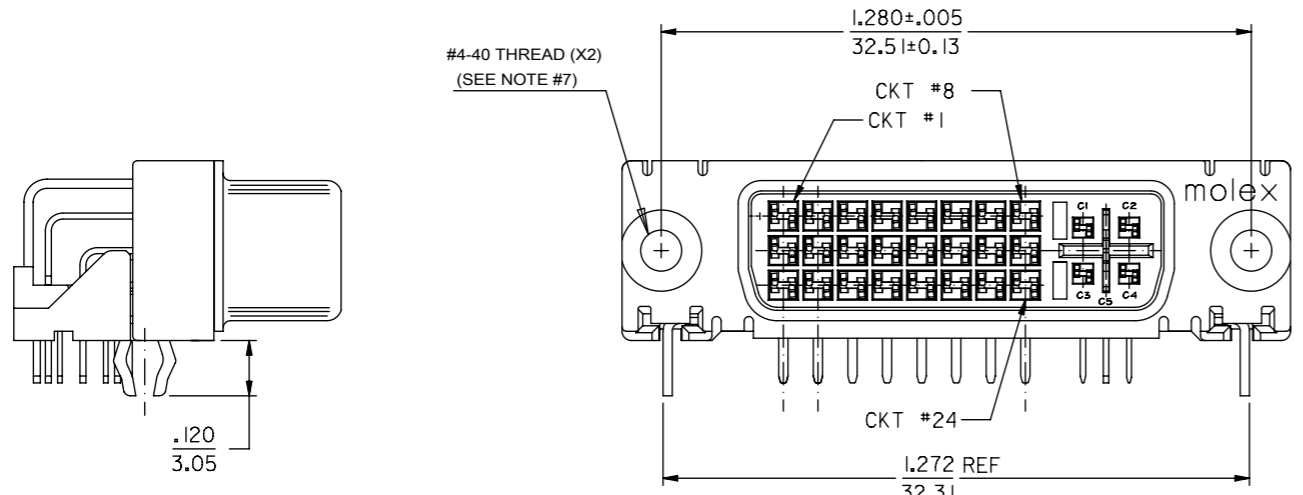
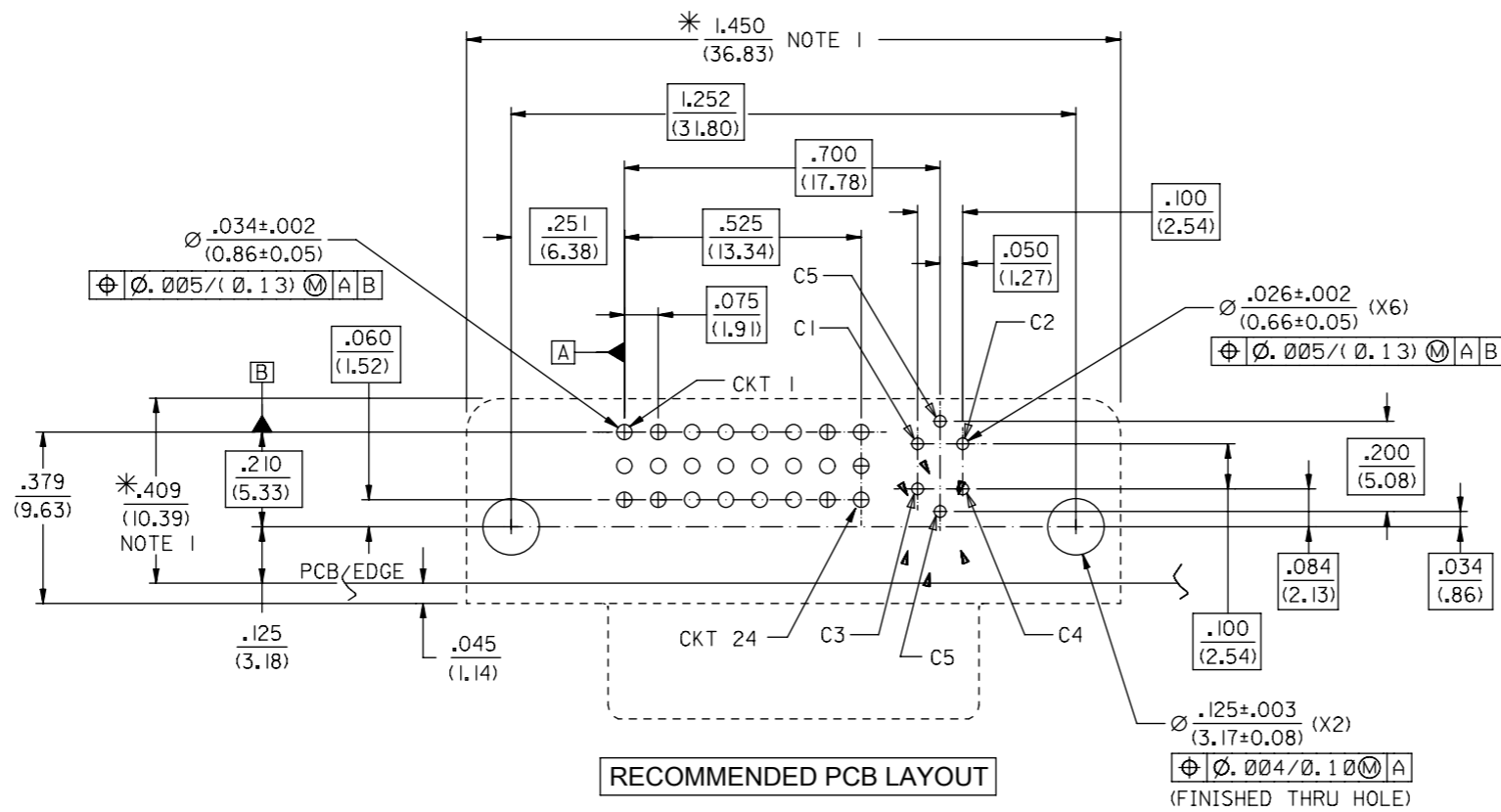


- NOTES:
1. MATERIAL:
SHIELD: DEEP DRAW STEEL;
HOUSING: LCP, UL94V-0, NATURAL (WHITE);
TAIL ALIGNER: LCP, UL94V-0, NATURAL (WHITE);
CONTACT: COPPER ALLOY.
 2. PLATING: SEE SHEET 2.
 3. PRODUCT CONFORMS TO MOLEX PRODUCT SPECIFICATION NUMBER PS-74320-001.
 4. SEE SHEET 2 FOR RECOMMENDED PANEL CUT-OUT AND P.C.B. LAYOUT.
 5. PARTS WILL BE PACKAGED IN TRAYS PER PK-74320-010.
 6. PRODUCT CONFORMS TO DDWG DVI SPECIFICATION. REFER TO THIS SPECIFICATION FOR CONNECTOR MATING DIMENSIONS.
 7. RECOMMENDED MOUNTING HARDWARE IS MOLEX P/N 71781-0001 OR 82007-0300 OR 88780-6066. REFER TO PRODUCT SPECIFICATION NUMBER PS-74320-001 FOR THIS APPLICATION TORQUE REQUIREMENT FOR ASSMBLING MOUNTING HARDWARE.
- ⚠ CAVITY ID AND MANUFACTURING PLANT CODE.



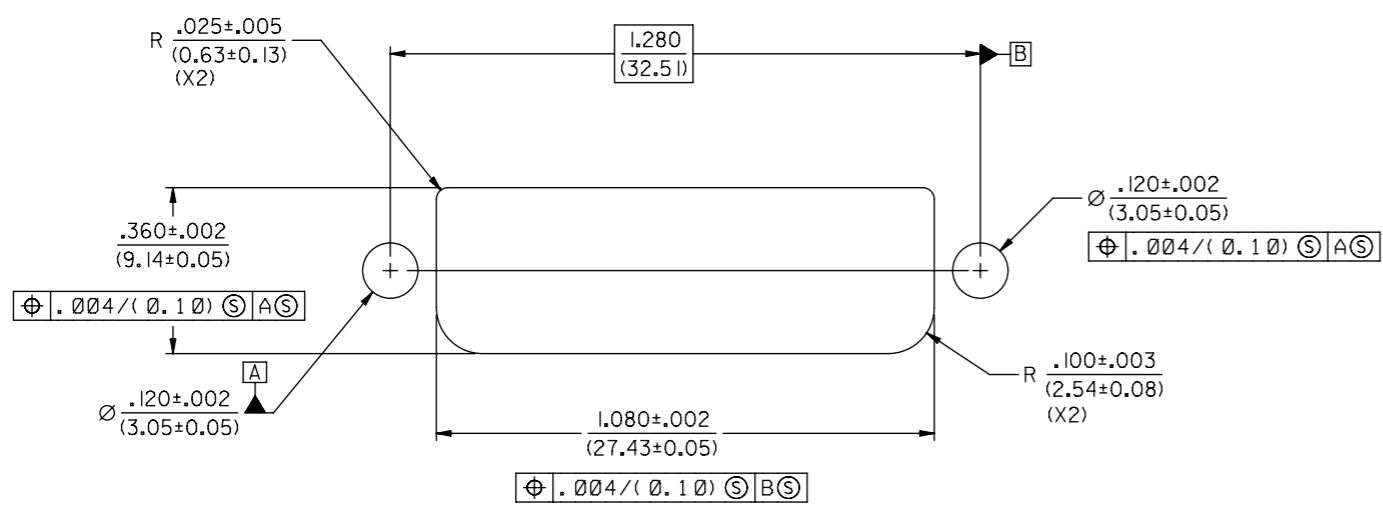
74320-9010	1
PART NUMBER	PLATING OPTION

THIS DRAWING CONTAINS INFORMATION THAT IS PROPRIETARY TO MOLEX ELECTRONIC TECHNOLOGIES, LLC AND SHOULD NOT BE USED WITHOUT WRITTEN PERMISSION		CURRENT REV DESC: OBSOLETE PART NUMBER		molex	
DIMENSION UNITS	SCALE				
INCH	1:1			DVI-I RIGHT ANGLE RECEPTACLE CONNECTOR, W/FORKLOCK	
GENERAL TOLERANCES (UNLESS SPECIFIED)				PRODUCT CUSTOMER DRAWING	
ANGULAR TOL	± 1.0°			DOCUMENT NUMBER	
4 PLACES	± 0.01	EC NO: 655037		SD-74320-026	
3 PLACES	± 0.01	DRWN: VLOKESHA 2020/12/18		DOC TYPE	
2 PLACES	± 0.01	CHK'D: GGA 2021/03/16		PSD	
1 PLACE	±	APPR: GGA 2021/03/16		DOC PART	
0 PLACES	±	INITIAL REVISION:		REVISION	
DRAFT WHERE APPLICABLE MUST REMAIN WITHIN DIMENSIONS		DRWN: XQZHANG 2014/12/11		F1	
THIRD ANGLE PROJECTION		APPR: AYIN 2014/12/11			
DRAWING		SERIES		MATERIAL NUMBER	
A3-SIZE		74320		SEE TABLE	
		CUSTOMER		GENERAL MARKET	
				SHEET NUMBER	
				1 OF 2	



RECOMMENDED PCB LAYOUT

COMPONENT SIDE OF PCB SHOWN
 * THESE DIMENSIONS REPRESENT CONNECTOR OVERLAY ON PCB.



RECOMMENDED PANEL CUT-OUT
 PANEL THICKNESS: .030"-.040"

PLATING OPTIONS:
 PLATING OPTION #1:
 OUT SHIELD -- 60u"/(1.5um) MIN. SOLDERABLE NICKEL OVER
 30u"/(0.75um) MIN. COPPER OVERALL.
 .075"/(1.91mm) CONTACTS -- 30u"/(0.75um) MIN. SELECT GOLD AND
 100u"/(2.50um) MIN. SELECT PURE TIN
 OVER 50u"/(1.27um) MIN. NICKEL OVERALL.
 PLATING OPTION #2:
 OUT SHIELD -- 60u"/(1.5um) MIN. SOLDERABLE NICKEL OVER
 30u"/(0.75um) MIN. COPPER OVERALL.
 .075"/(1.91mm) CONTACTS -- SELECT GOLD FLASH AND
 100u"/(2.50um) MIN. SELECT PURE TIN
 OVER 50u"/(1.27um) MIN. NICKEL OVERALL.

THIS DRAWING CONTAINS INFORMATION THAT IS PROPRIETARY TO MOLEX ELECTRONIC TECHNOLOGIES, LLC AND SHOULD NOT BE USED WITHOUT WRITTEN PERMISSION		CURRENT REV DESC: OBSOLETE PART NUMBER		molex	
DIMENSION UNITS	SCALE				
INCH	1:1			DVI-I RIGHT ANGLE RECEPTACLE CONNECTOR, W/FORKLOCK	
GENERAL TOLERANCES (UNLESS SPECIFIED)				PRODUCT CUSTOMER DRAWING	
ANGULAR TOL	± 1.0 °			DOCUMENT NUMBER	
4 PLACES	± 0.01	EC NO: 655037		SD-74320-026	
3 PLACES	± 0.01	DRWN: VLOKESHA 2020/12/18		DOC TYPE DOC PART REVISION	
2 PLACES	± 0.01	CHK'D: GGA 2021/03/16		PSD 000 F1	
1 PLACE	±	APPR: GGA 2021/03/16			
0 PLACES	±	INITIAL REVISION:			
DRAFT WHERE APPLICABLE MUST REMAIN WITHIN DIMENSIONS		THIRD ANGLE PROJECTION	DRAWING	SERIES	MATERIAL NUMBER
			A3-SIZE	74320	SEE TABLE
					CUSTOMER
					GENERAL MARKET
					SHEET NUMBER
					2 OF 2