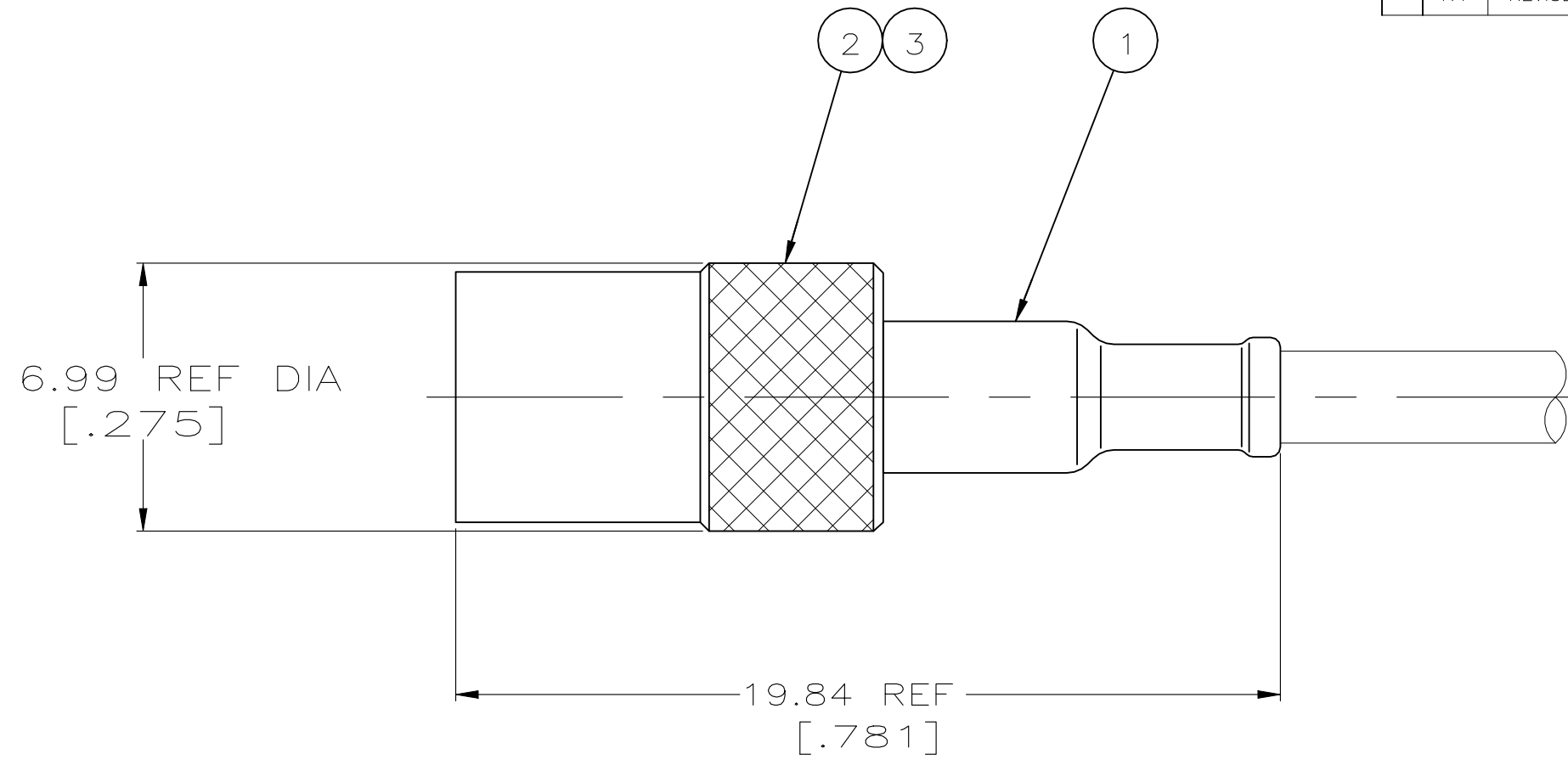
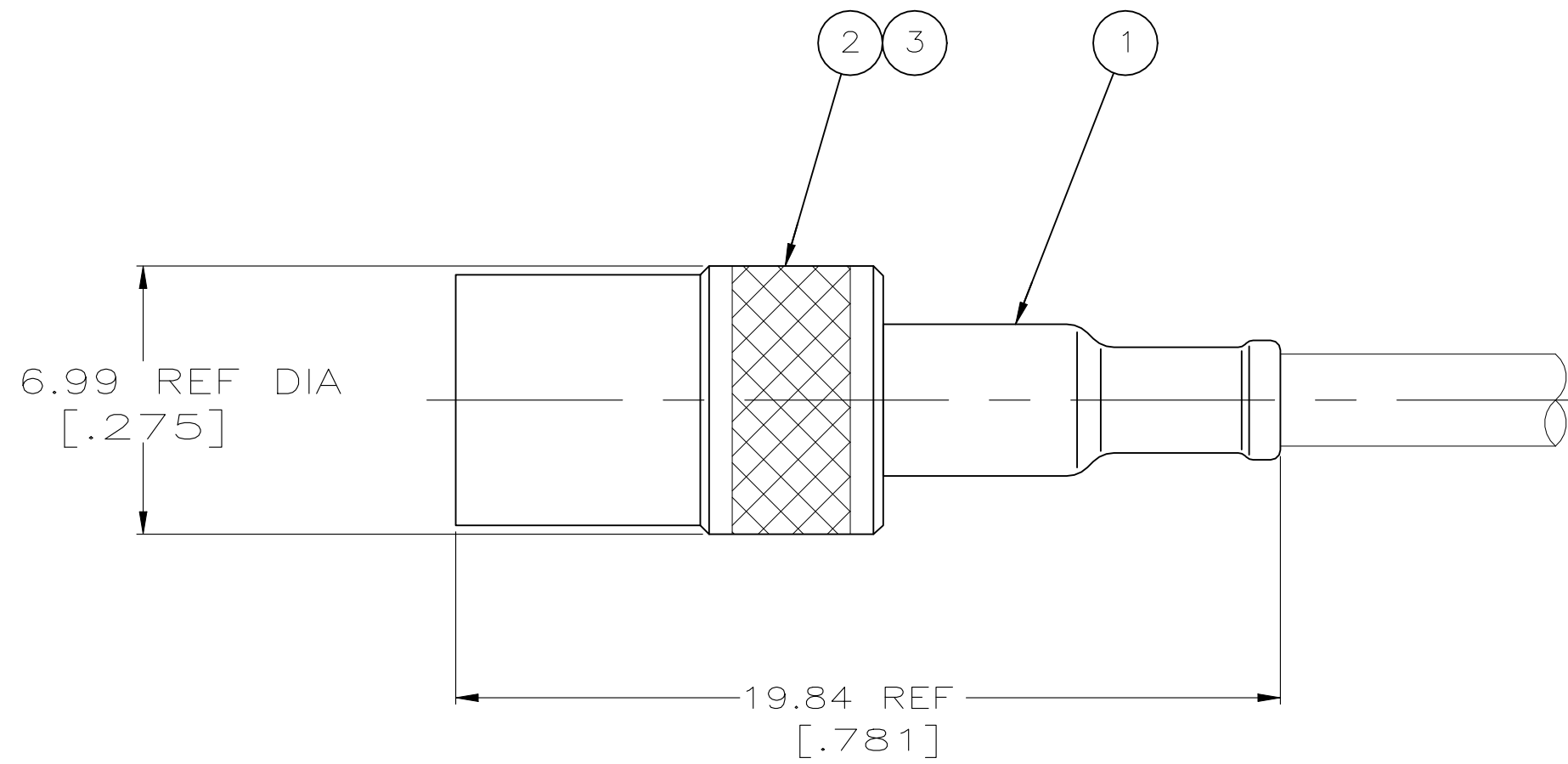


REVISIONS					
P	LTR	DESCRIPTION	DATE	DWN	APVD
K4		REVISED PER ECR-21-103739	20MAY2021	RZ	WK

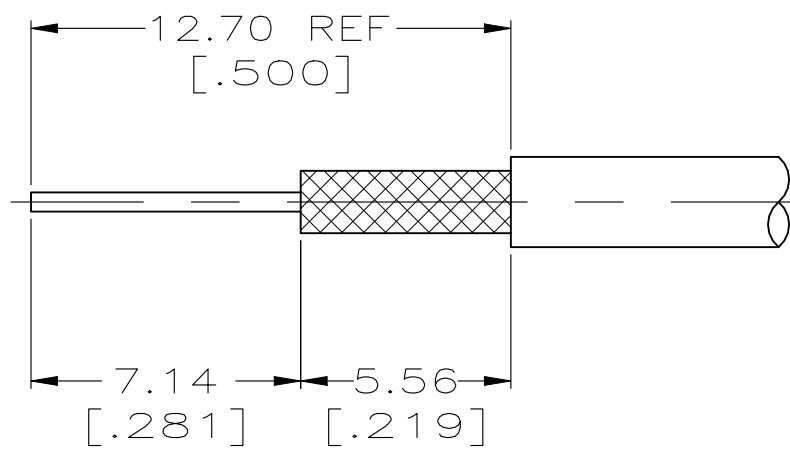
- 1. PARTS PACKAGED UNASSEMBLED
- 2. CRIMP TOOL: 69143
- 3. SEE I.S. 1771
- 4. OBSOLETE PARTS: OBSOLETE CIS STREAMLINING PER D.RENAUD/D.SINISI
- 5. RESTRICTED SALES TO PROVIBTECH



VIEW A



VIEW B



RECOMMENDED STRIP LENGTH

5	B	RG-180/U,180A/U & 195/U	330595-2	1-328695-5	3-329049-0	1-330723-3
	A	RG-180/U,180A/U & 195/U	330595-1	1-328695-3	3-329049-0	1-330723-2
4	A	RG-180/U,180A/U & 195/U	330595	1-328695-2	329049	1-330723-1
	A	RG-180/U,180A/U & 195/U	330595	328695	329049	1-330723-0
	VIEW	CABLE SIZE	3 PLUG ASSY QTY=1	2 COLLAR, RETAINING QTY=1	1 FERRULE QTY=1	PART NUMBER

THIS DRAWING IS A CONTROLLED DOCUMENT.

DIMENSIONS:	TOLERANCES UNLESS OTHERWISE SPECIFIED:
INCHES	
0 PLC	± -
1 PLC	± -
2 PLC	± 0.41 [.016]
3 PLC	± -
4 PLC	± -
ANGLES	± -

MATERIAL	FINISH
-	-

DWN	6-20-91
CHK	23/APR/93
APVD	23/APR/93
PRODUCT SPEC	108-12013
APPLICATION SPEC	-
WEIGHT	0.000000
CUSTOMER DRAWING	

		TE Connectivity	
NAME: B.WERNER G.MICHAEL G.MICHAEL PRODUCT SPEC: 108-12013 APPLICATION SPEC: -			
SIZE	CAGE CODE	DRAWING NO	RESTRICTED TO
A2	00779	C=330723	-
SCALE	SHEET	REV	
5:1	1 of 1	K4	