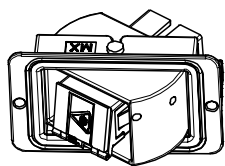
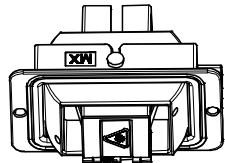


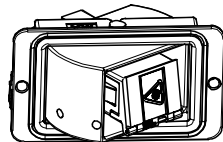
13 12 11 10 9 8 7 6 5 4 3 2 1



ROTATED -35°

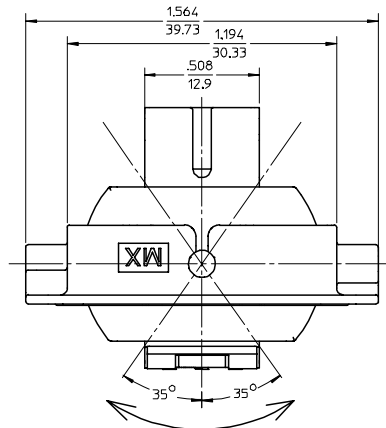


STRAIGHT POSITION (0°)

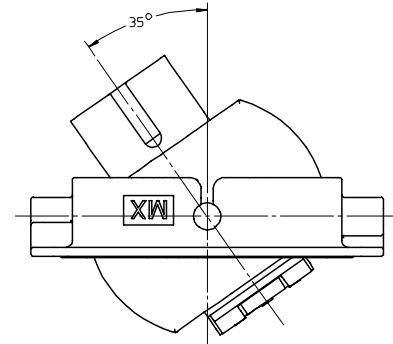


ROTATED +35°

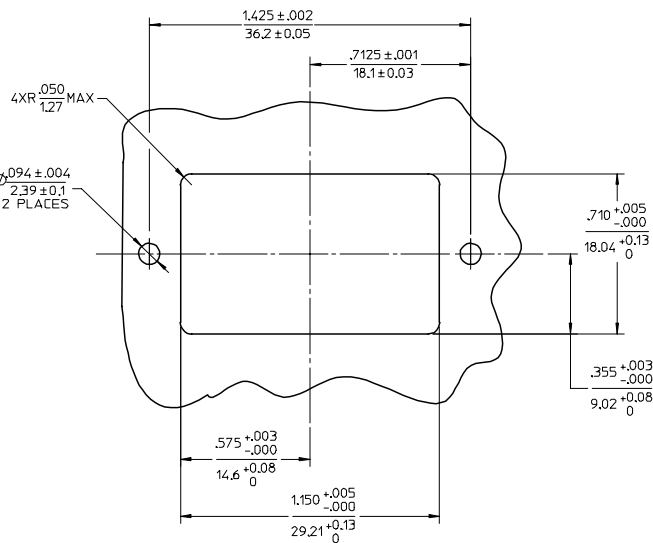
ISOMETRIC VIEWS
SCALE: 1.5:1



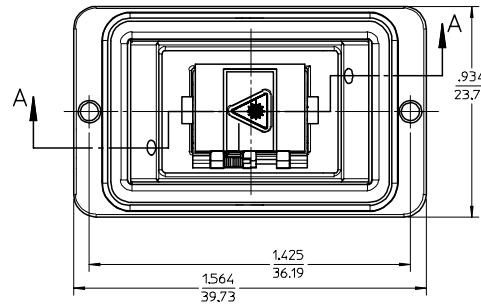
ROTATION AVAILABLE: ±35°



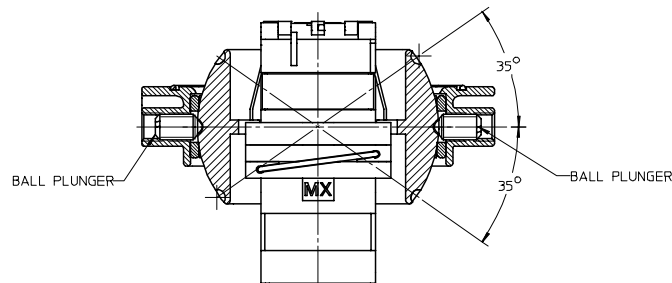
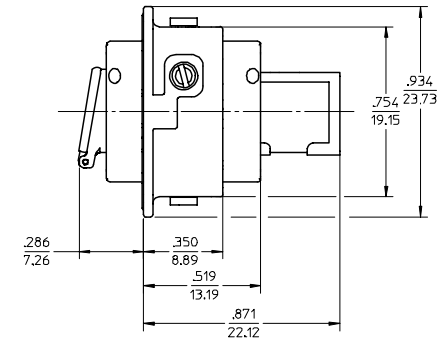
TOP VIEW
ADAPTER ROTATED +35°



RECOMMENDED MOUNTING PATTERN



SECTION A-A



BALL PLUNGER

BALL PLUNGER

NOTES:

1. ALL DIMENSIONS ARE FOR REFERENCE ONLY.
2. SWIVEL ADAPTER IS ALSO AVAILABLE AS LC, MU, AND MPQ VERSIONS.

| | | | | | | | | | | |
|--|-------------------------------|---|---------|------------------------------|--------------------------------|--|----------------------|------------------------|--|--|
| ENTER DESCRIPTION FCC NO: MF2006-0389 DRAWN: PGIBLIN CHKD: 2005/12/14 APPR: JGUMIN 2005/12/14 | QUALITY SYMBOLS ▽=0 ▽=0 | GENERAL TOLERANCES (UNLESS SPECIFIED) | | DIMENSION STYLE INCH ONLY | | SCALE 4:1 | DESIGN UNITS INCH | THIRD ANGLE PROJECTION | | |
| | | 4 PLACES ± --- ± --- 3 PLACES ± --- ± --- 2 PLACES ± --- ± --- 1 PLACE ± --- ± --- | mm INCH | DRAWN BY PGIBLIN | DATE 12/05/05 | TITLE SC EMI SWIVEL ADAPTER (2X) BALL PLUNGER VERSION | | | | |
| | | ANGULAR ±1/2° | | CHECKED BY | DATE | APPROVED BY | | | | |
| | | DRAFT WHERE APPLICABLE MUST REMAIN WITHIN DIMENSIONS | | MATERIAL NO. 1061169000 | DOCUMENT NO. SD-106116-9000 | SHEET NO. 1 OF 01 | | | | |

12 11 10 9 8 7 6 5 4 3 2 1