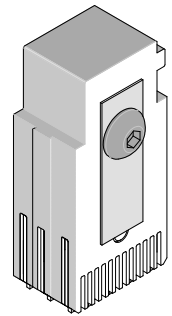




**Impact™ Backplane Module Installation
Application Tooling Specification
Press-In Tool
Order No. 62201-8749**



FEATURES

- Tool provides uniform distribution of press force across entire pin array
- May be used as a stand-alone tool or mounted in an optional holder with other Molex press-in tools

SCOPE

Products: Impact™ Orthogonal Backplane Signal Module Assembly, 76845 Series, (4-Pair by 8 Column Assemblies). See Product List below for specific part numbers.

Product List

The following is a partial list of the product order numbers and their specifications this tool is designed to run. Updates to this list are available on www.molex.com.

76845 Series Numbers							
Guide Style	Columns	Assembly Order Number					
Open Wall	8	76845-0804	76845-0805	76845-0807	76845-0808	76845-1804	76845-1805
		76845-1807	76845-1808				
Dual End	8	76845-0824	76845-0825	76845-0827	76845-0828	76845-1824	76845-1825
		76845-1827	76845-1828				
Left End	8	76845-2804	76845-2805	76845-2807	76845-2808	76845-3804	76845-3805
		76845-3807	76845-3808	76845-6804	76845-6805	76845-6807	76845-6808
		76845-7804	76845-7805	76845-7807	76845-7808		
Right End	8	76845-4804	76845-4805	76845-4807	76845-4808	76845-5804	76845-5805
		76845-5807	76845-5808	76845-8804	76845-8805	76845-8807	76845-8808
		76845-9804	76845-9805	76845-9807	76845-9808		

Tool Setup

Depending on the number of connectors to be installed and/or the press used, this tool can be used alone or with a group of press-in tools, mounted in a 62201-95XX rail (ordered separately). See Figure 1.

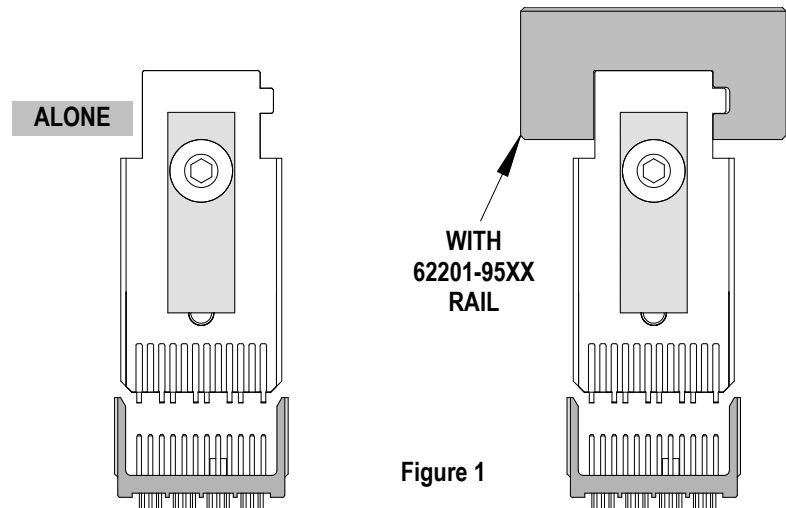


Figure 1

Tool Installation

The 62201-95XX rail is available in a variety of lengths to accommodate multiple press-in tools.

Rail Part Number	Rail Overall Length
62201-9501	24mm (0.94 in)
62201-9502	72mm (2.83 in)
62201-9503	156mm (6.14 in)
62201-9504	216mm (8.50 in)
62201-9509	254mm (10.0 in)
62201-9511	305mm (12.0 in)

Reference: This Press-In Tool is 16.05mm (0.63in.) long.

Printed Circuit Board (PCB) Support

The Impact™ connectors require up to 3.6kg (8 lb) of force per pin to press into the PCB. To prevent excessive PCB flexure and/or damage to the PCB, a support plate is strongly recommended directly beneath the connector hole pattern.

Due to the custom nature of every application, Molex does not offer any PCB support plate. The customer must furnish their own support plate.

When creating the PCB support plate, remember to allow clearance for the connector pins as they pass through the PCB thickness.

Press Equipment Recommendations

Many types of presses can be used to install Impact™ connectors, but to assure consistent connector installation Molex recommends the following press criteria:

1. The capability to detect force variations as low as 4.5kg (10 lb) during the press-in cycle; excessive force measurements should stop the press-in cycle.
2. The rate of pressing can be regulated as low as 0.13mm (0.005 in) per second.
3. Press stroke control to within 0.25mm (0.010 in).
4. Total press stroke must be at least 19mm (0.75 in).
5. For statistical purposes, automatic collection of force and distance data.

Tool Operation

1. Insert by hand the backplane signal module assembly (s) carefully into the PCB hole pattern. Make sure the connector(s) are oriented properly by confirming the location of the #1 circuit notch with respect to the PCB layout.
2. Insert the Press-In Tool making sure that the notch in this tool is inserted into the slot on the connector housing. See Figure 2.
3. Using the application tool and an appropriate press, seat the header assembly until there is less than 0.25mm (0.01 in) clearance between the bottom of the plastic housing and the surface of the PCB. See Figure 3.

There should be no broken stand-offs along the perimeter of the part (an indication of over-pressing).

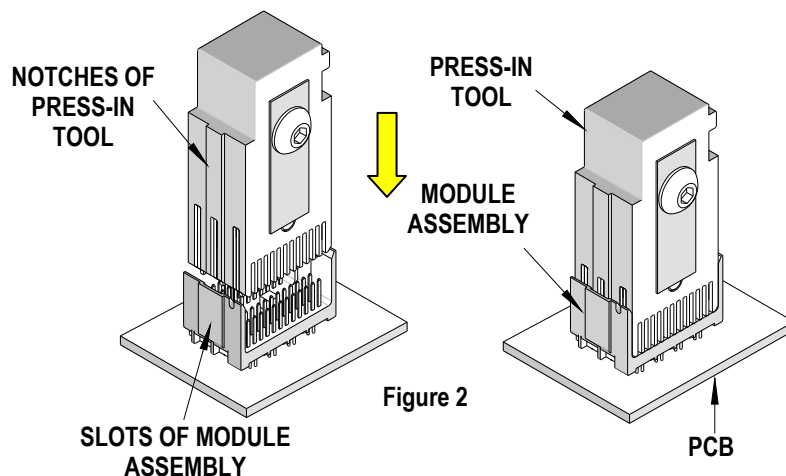


Figure 2

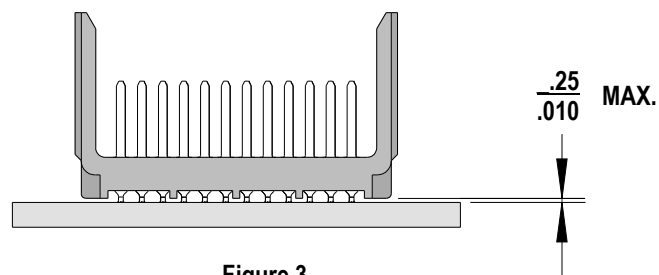


Figure 3

CAUTION: To prevent injury, never operate any press without the guards in place. Refer to the press manufacturer's instruction manual.

CAUTION: Molex application tooling specifications are valid only when used with Molex connectors and tooling.

Contact Information

For more information on Molex application tooling please contact Molex at 1-800-786-6539.

Americas Headquarters
Lisle, Illinois 60532 U.S.A.
1-800-78MOLEX
amerinfo@molex.com

Far East North Headquarters
Yamato, Kanagawa, Japan
81-462-65-2324
feninfo@molex.com

Far East South Headquarters
Jurong, Singapore
65-6-268-6868
fesinfo@molex.com

European Headquarters
Munich, Germany
49-89-413092-0
eurinfo@molex.com

Corporate Headquarters
2222 Wellington Ct.
Lisle, IL 60532 U.S.A.
630-969-4550
Fax: 630-969-1352

Visit our Web site at <http://www.molex.com>