

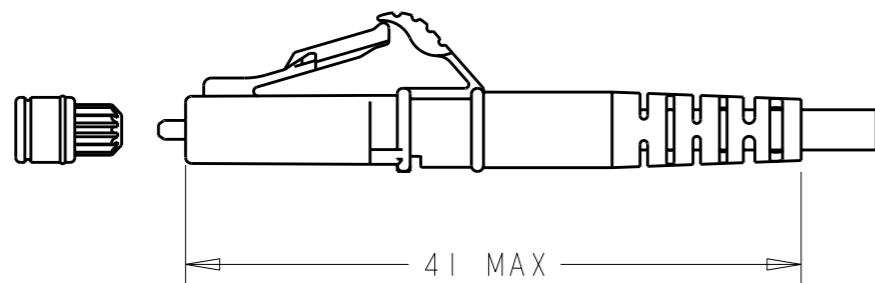
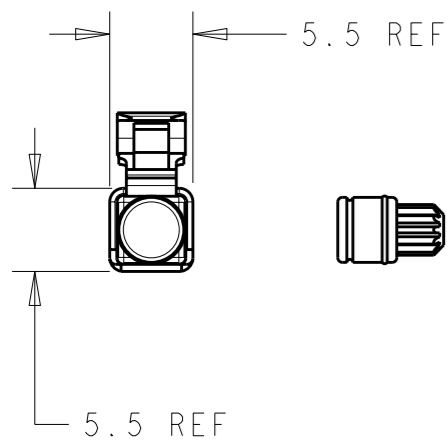
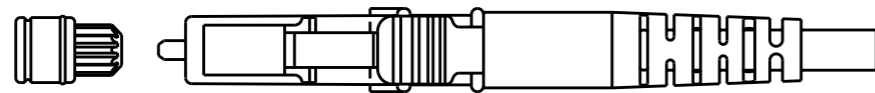
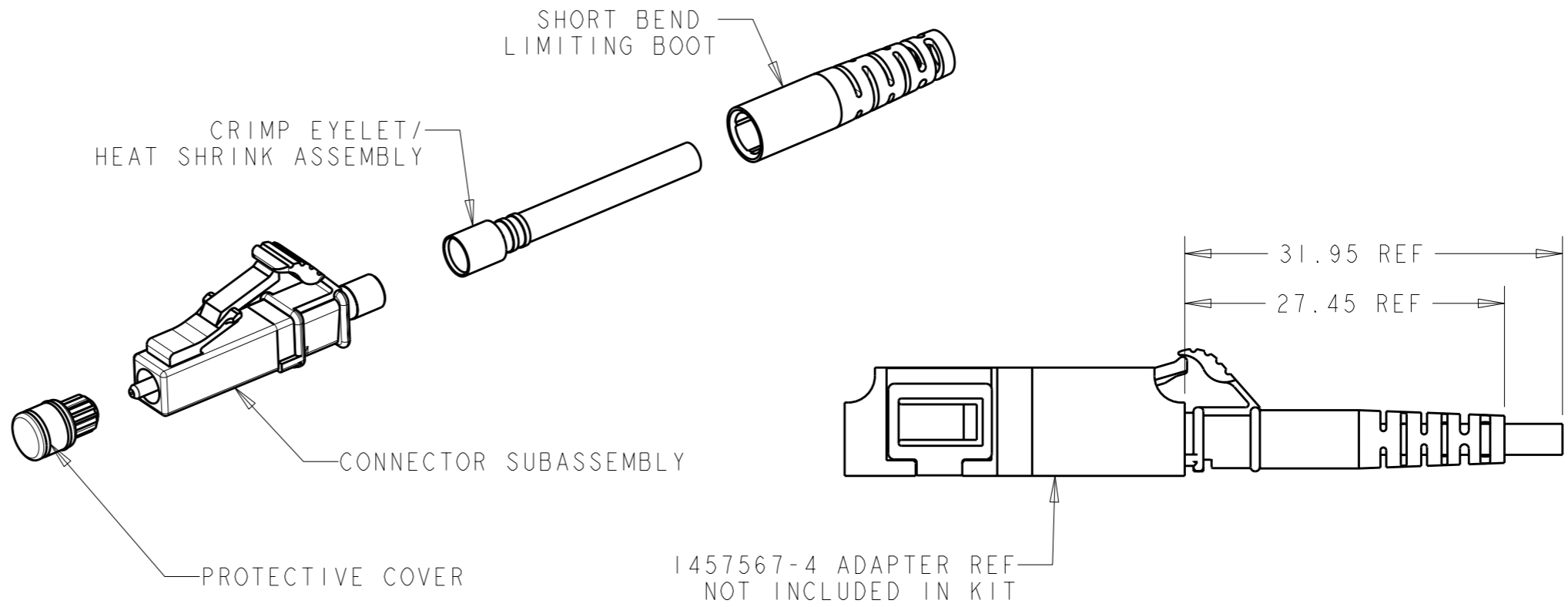
THIS DRAWING IS UNPUBLISHED. RELEASED FOR PUBLICATION  
 © COPYRIGHT - BY TYCO ELECTRONICS CORPORATION. ALL INTERNATIONAL RIGHTS RESERVED.

LOC	DIST	REVISIONS			
P	LTR	DESCRIPTION	DATE	DWN	APVD
HG	-	A	REVISE PER ECR-08-003533	12FEB2008	BB CB
		B	REV PER ECR-10-009660	21JUN2010	IL CT

1 MATERIAL: PROTECTIVE COVER - TPE, COLOR: BLACK, UL 94 V-0\*  
 FERRULE SUBASSEMBLY - ZIRCONIA/METAL.  
 COMPRESSION SPRING - STAINLESS STEEL.  
 HOUSING - PEI, COLOR: BLUE, UL 94 V-0\*  
 INNER TUBING - PTFE, COLOR: CLEAR, UL VW-1.  
 REAR BODY - METAL  
 BOOT - PP, COLOR: BLUE, UL 94 V-0\*  
 CRIMP EYELET/HEATSHRINK ASSY - ALUM. ALLOY/POLYOLEFIN, UL VW-1  
 \*RATED AT QUALIFYING THICKNESS

2 BULK PACKAGED.

3. INSTRUCTION SHEET: 408-8675.



2	1918407-2
	1918407-1
	PART NUMBER

<small>THIS DRAWING IS A CONTROLLED DOCUMENT FOR TYCO ELECTRONICS CORPORATION IT IS SUBJECT TO CHANGE AND THE CONTROLLING ENGINEERING ORGANIZATION SHOULD BE CONTACTED FOR THE LATEST REVISION.</small>		DWN B. BRIGGS 12FEB2008 CHK C. BENNETT 12FEB2008 APVD S. BUCHTER 12FEB2008		Tyco Electronics Corporation Shanghai, China	
DIMENSIONS: mm 		TOLERANCES UNLESS OTHERWISE SPECIFIED: 0 PLC ± 1 PLC ±0.5 2 PLC ±0.13 3 PLC ±0.013 4 PLC ±0.0001 ANGLES ±		NAME KIT, CONNECTOR, LC, SHORT BOOT, SIMPLEX, SM, 2.0mm JACKET	
MATERIAL -  FINISH -		PRODUCT SPEC - APPLICATION SPEC - WEIGHT -		SIZE A3 CAGE CODE - DRAWING NO C-1918407 RESTRICTED TO -	
CUSTOMER DRAWING				SCALE 2:1 SHEET 1 OF 1 REV B	