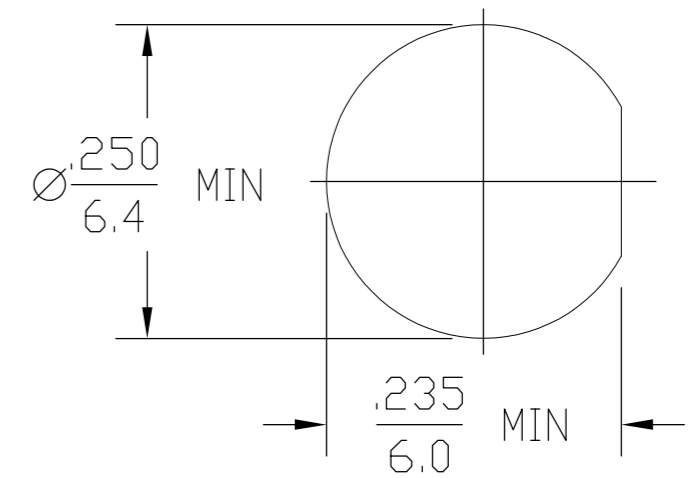
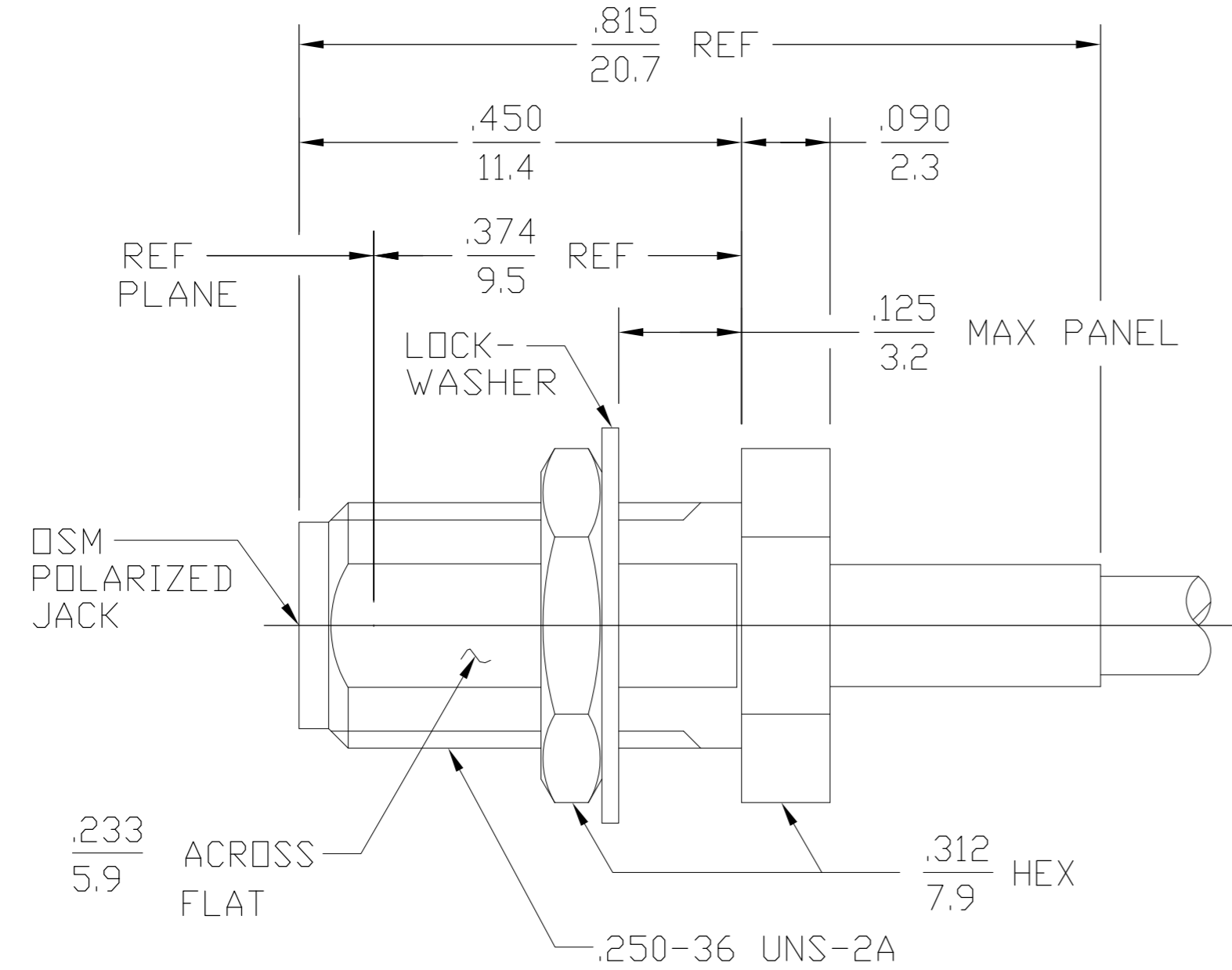


THIS DRAWING IS UNPUBLISHED. RELEASED FOR PUBLICATION
 © COPYRIGHT BY TYCO ELECTRONICS CORPORATION. ALL RIGHTS RESERVED.

DESIGNED FOR USE WITH FUJIKURA 0.8D-QEV CABLE	
CABLE ENTRY DIAMETER MINIMUM	
FERRULE	.098
HOUSING	.034

LOC		DIST		REVISIONS			
AJ	00	P	LTR	DESCRIPTION	DATE	DWN	APVD
		B		REV PER ECO 07-004710	2/27/2007	DW	KW



RECOMMENDED MOUNTING HOLE

NOTES:
 1. CAPTURED CENTER CONTACT

1329975-1
 PART NUMBER

ELECTRICAL	MECHANICAL	ENVIRONMENTAL
Nominal Impedance (Ohms) 50	Interface Dimensions MIL-STD-348A, Fig. N/A	TEMPERATURE RATING -65°C TO + 165°C
Frequency Range (GHz) DC to 12.4	Recommended Mating Torque N/A	Vibration MIL-STD-202, Method 204, Condition D
Volt Rating (VRMS MAX) @ Sea Level 250	Mating Characteristics:	Shock MIL-STD-202, Method 213, Condition I
VSWR 1.30 : 1	Insertion (MAX lbs) 3.0	Thermal Shock MIL-STD-202, Method 107, Condition B, EXCEPT HIGH TEMP SHALL BE +85°C
Insertion Loss (dB MAX) .06 √f(GHz)	Withdrawal (MIN oz) 1.0	Moisture Resistance MIL-STD-202, Method 106
RF Leakage (dB MIN) -[60-f(GHz)]	Force to Engage and Disengage (in-lbs MAX) 2.0	Corrosion - MIL-STD-202, Method 101, Condition B, 5% salt spray
Corona, 70,000 Ft (VRMS MIN) 190	Center Contact Captivation	
Dielectric Withstanding Voltage (VRMS MIN) @ Sea Level 750	Axial (lbs) 6.0	
Contact Resistance (Milliohms MAX)	Radial (in-oz) N/A	
Center Contact 2.0	Cable Retention	
Outer Contact 2.0	Axial Force (lbs MIN) TBD	
Cable to Housing 0.5	Torque (in-oz MIN) TBD	
RF High Potential @ Sea Level (VRMS MIN @ 5 MHz) 500	Weight (Grams) TBD	
I.R.(Megohms MIN) 10,000		

.XXX = in
 XX.X = mm (REF)

COMPONENT	MATERIAL	FINISH
HOUSING MOUNTING NUT LOCKWASHER	STAINLESS STEEL PER ASTM-A484 AND ASTM-A582, TYPE 303	PASSIVATE PER QQ-P-35
DIELECTRIC	PTFE FLUOROCARBON PER ASTM-D-1457	N/A
CENTER CONTACT	BERYLLIUM COPPER PER ASTM-B-196 OR ASTM-B-197, ALLOY C17300, CONDITION H, OR BRASS PER ASTM-B-16	GOLD PLATE PER MIL-G-45204
INNER CONTACT	BERYLLIUM COPPER ALLOY #172	GOLD PLATE PER MIL-G-45204
FERRULE	COPPER OR BRASS ALLOY ROCKWELL F65 MAXIMUM	NICKEL PLATE QQ-N-290

THIS DRAWING IS A CONTROLLED DOCUMENT.		DWN RDP 1/25/99	Tyco Electronics Corporation Harrisburg, PA 17105-3608	
DIMENSIONS: INCHES		CHK -		
TOLERANCES UNLESS OTHERWISE SPECIFIED:		APVD RDP 1/25/99	NAME OSM POLARIZED BULKHEAD CABLE JACK CRIMP ATTACHMENT	
0 PLC ± -		PRODUCT SPEC -		
1 PLC ± -		APPLICATION SPEC -	SIZE A2 CAGE CODE 00779 DRAWING NO C=1329975 RESTRICTED TO -	
2 PLC ± -		WEIGHT -		
3 PLC ± .005		CUSTOMER DRAWING	SCALE 4:1 SHEET 1 of 1 REV B	
4 PLC ± -				
ANGLES ± 1°				
MATERIAL -				
FINISH -				