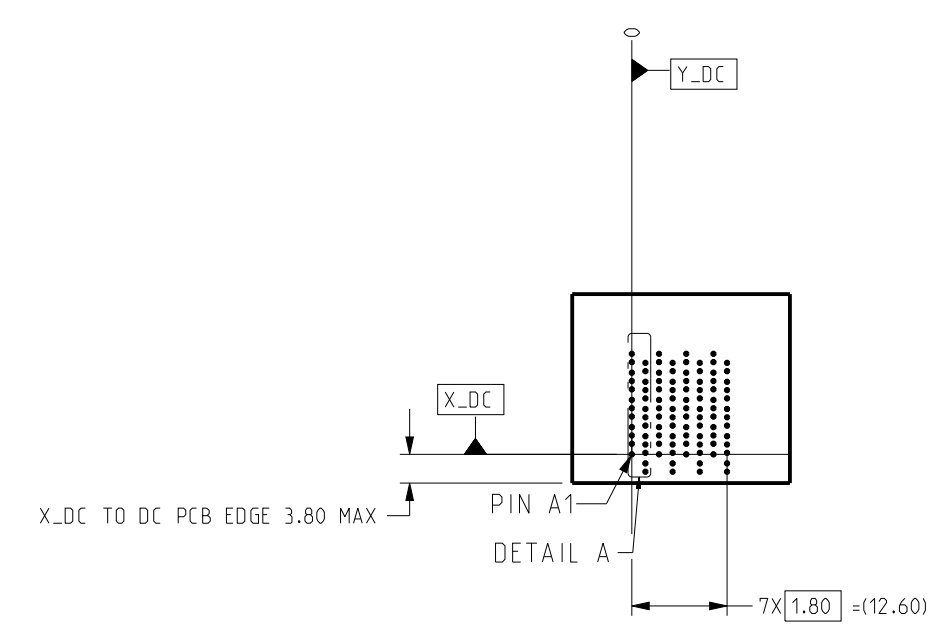
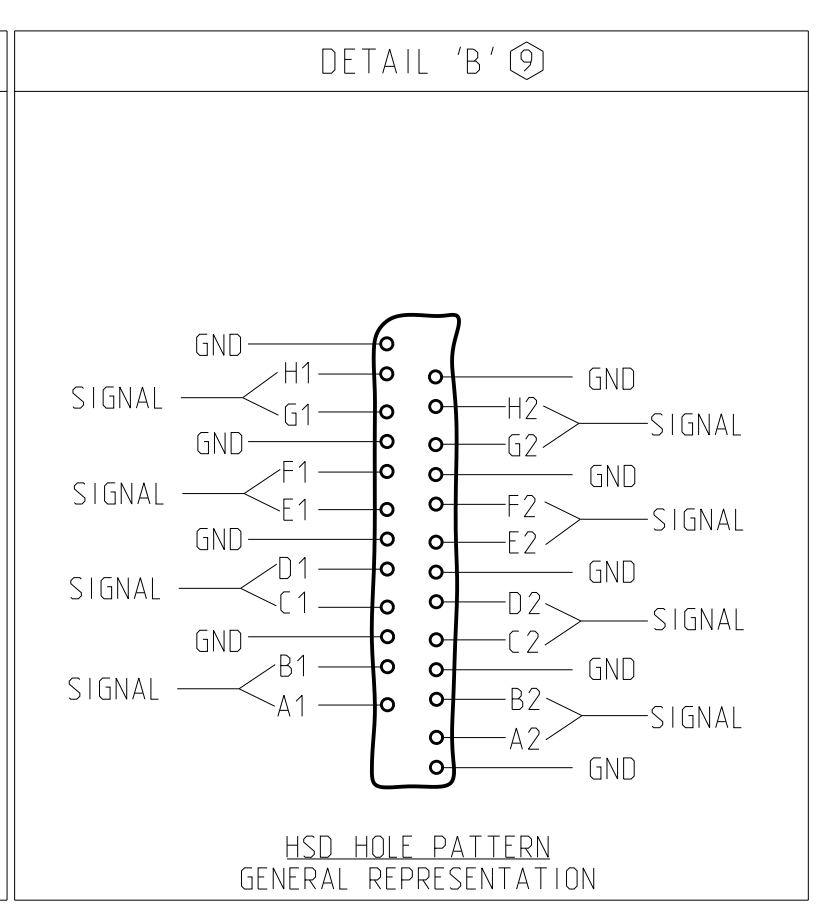
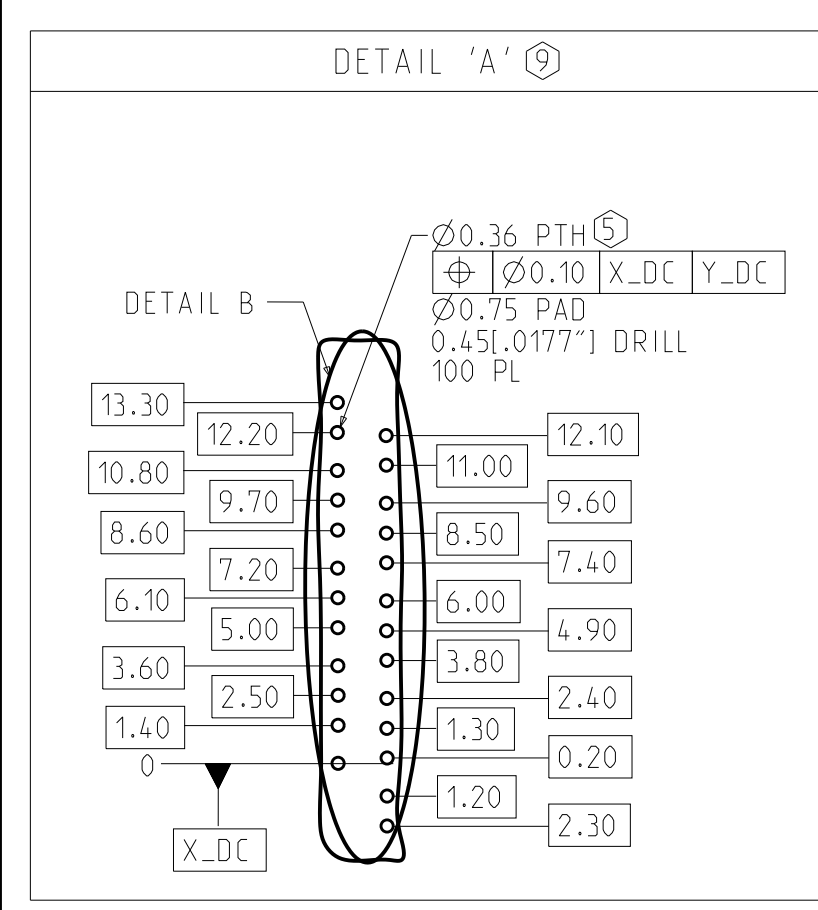
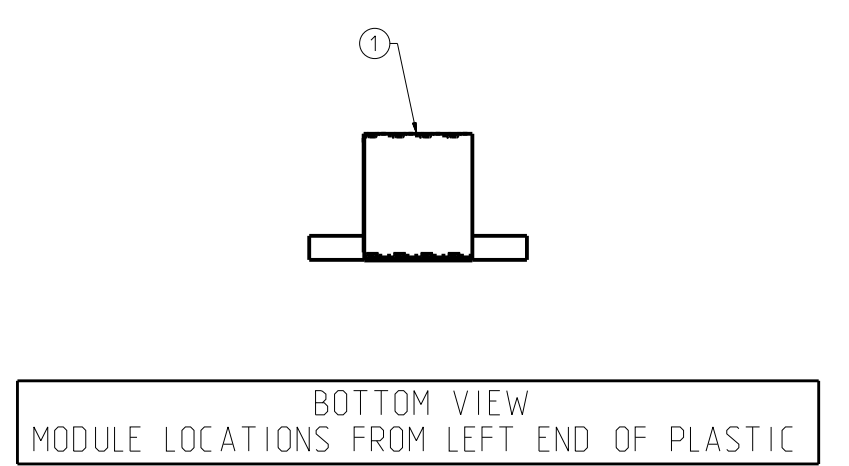
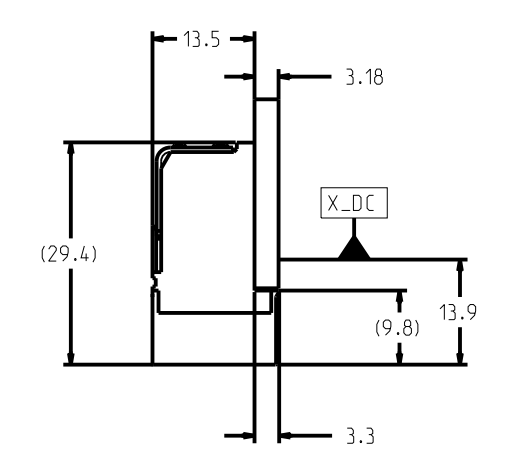
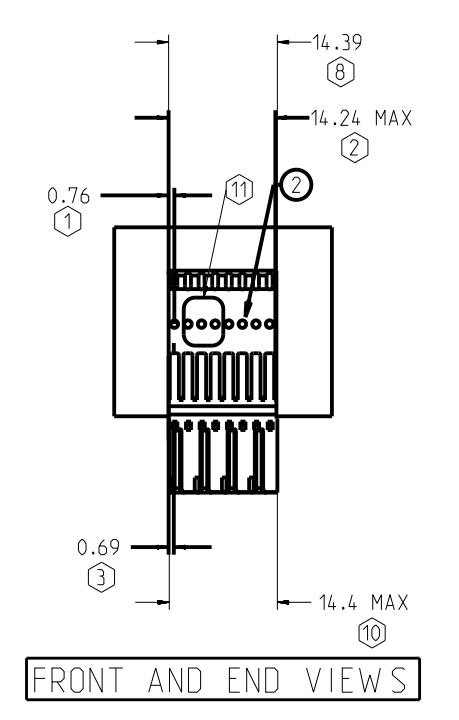


REV	ECN	DESCRIPTION	BY	DATE	APPROVED
A	JLIU-22111518	RELEASE TO PRODUCTION	J.LIU	12/02/2022	J.LIU



FRONT VIEW - DC HOLE PATTERN ONLY, CONNECTOR SIDE REFERENCED FROM LEFT MOST SIGNAL COLUMN, ALL DIMENSIONS BASIC



BOTTOM VIEW MODULE LOCATIONS FROM LEFT END OF PLASTIC

ITEM	PART NUMBER	DESCRIPTION	QTY
1	922-421A-D3H	XCede HD 4PAIR HSD MOD w/ ORGANIZER, 8POS, 1000HMS, BIFURCATED, .0177" DRILL, NANO NI, STD GOLD	1
2	617-0450-014	XCede HD 4PAIR STIFFENER	1

NOTE: SEE FRONT VIEW FOR STIFFENER LENGTH.

NOTES:

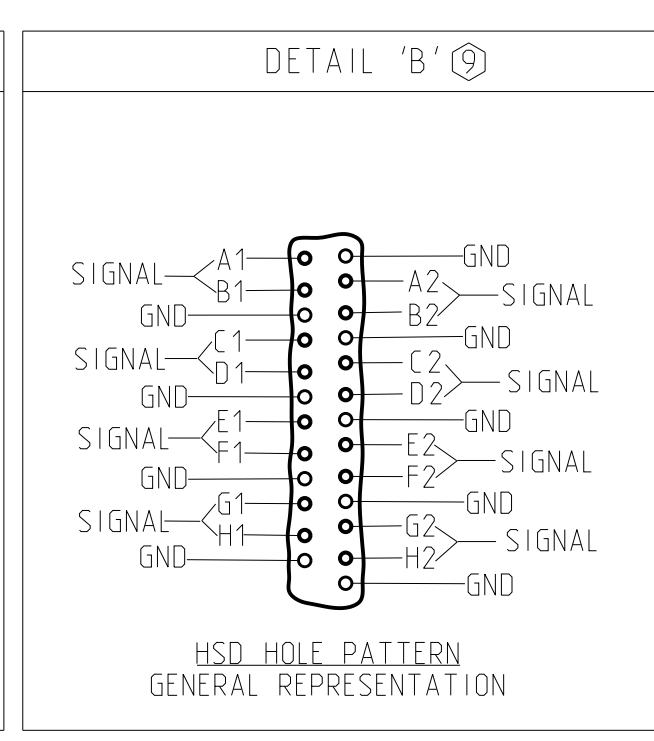
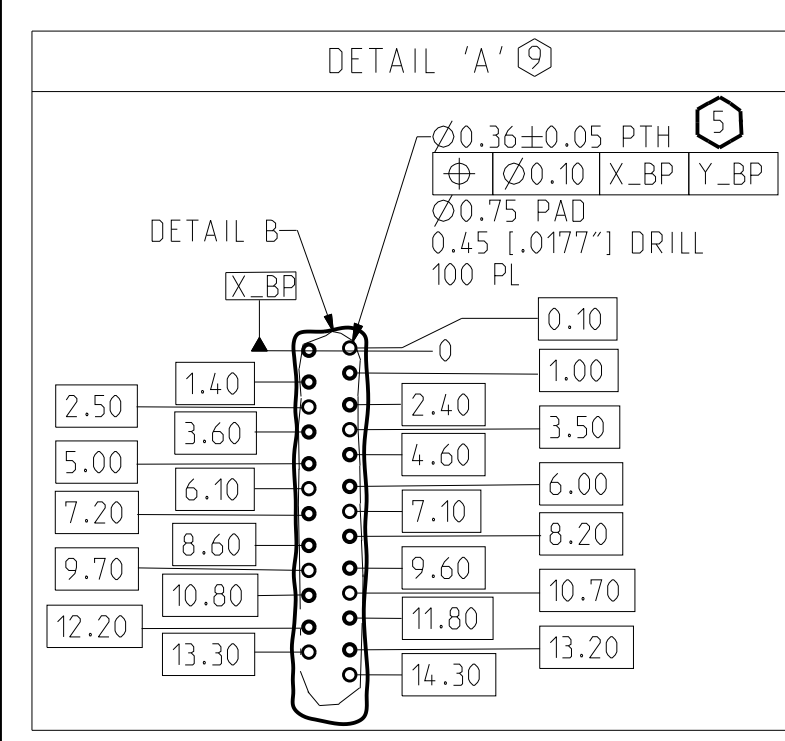
- ① DISTANCE FROM FIRST STIFFENER PILOT HOLE TO LEFT END OF STIFFENER.
- ② TOTAL LENGTH OF STIFFENER.
- ③ DISTANCE FROM CENTERLINE OF 1ST COLUMN OF SIGNAL PLATED THRU HOLES TO LEFT EDGE OF STIFFENER.
- ④ MOUNTING SCREWS AND JOINER MODULES (IF PRESENT) TO BE BAGGED WITH EACH CONNECTOR ASSEMBLY.
- ⑤ STATED PAD SIZE MAY REQUIRE FILLETING. SEE TB-2237 FOR ROUTING, HOLE WALL PLATING THICKNESS AND FINISHED HOLE SIZE.
- ⑥ NA.
- ⑦ REFER TO TB-2235 FOR XCede HD PRODUCT SPECIFICATIONS.
- ⑧ OVERALL CONNECTOR LENGTH.
- ⑨ DETAIL VIEWS ARE NOT TO SCALE. DO NOT SCALE DRAWING.
- ⑩ FRONT HOUSING WIDTH. CONNECTORS CAN BE USED IN STACKABLE APPLICATION.
- ⑪ CONNECTOR IS LASER MARKED WITH MANUFACTURING INFORMATION. REFER TO DRAWING C-527-4133-000 FOR MARKING REQUIREMENTS AND DETAILS.

CUSTOMER: DISTRIBUTOR / XHD 4PAIR X 8. HSD 1000HMS

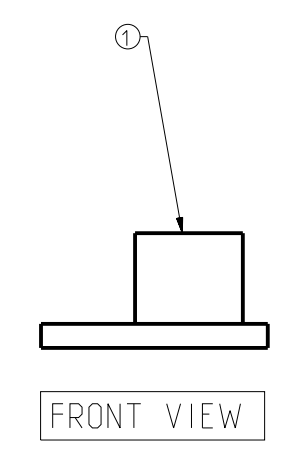
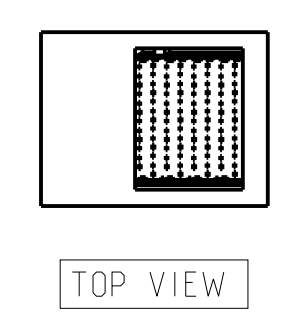
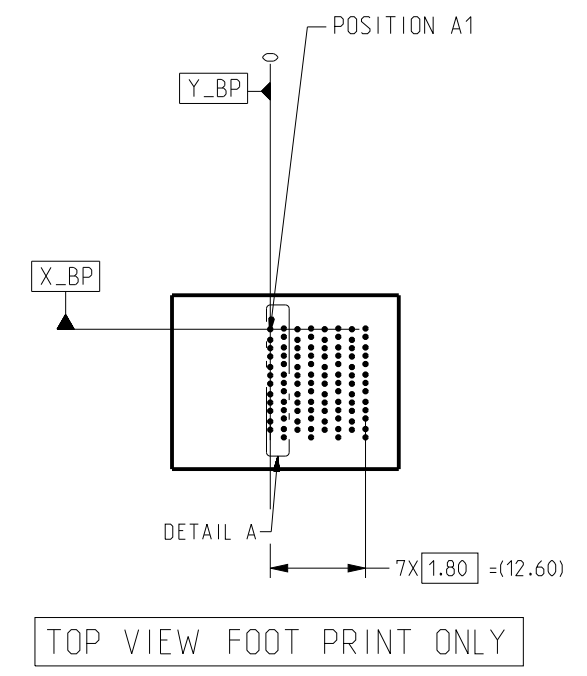
TOLERANCES	DESIGN 10/12/2022 J.LIU	Amphenol TCS A Division of Amphenol Corporation 200 Innovative Way, Nashua, NH 03062 603.879.3000	TITLE	XCede HD DAUGHTERCARD ASSEMBLY 4 PAIR CONNECTOR, LEADFREE
0.0 ±0.25	DRAWN 10/12/2022 AUTO GENERATED		PART NO.	JX410-51600
0.00 ±0.13	CHK 10/12/2022 J.LIU		DRAWING NO.	C-JX410-51600
0.000 ± -	APVD 12/02/2022 J.LIU		CRED FILES	JX410-51600.ASM JX410-51600.DRW
ANGLES ± 3°		UNLESS OTHERWISE SPECIFIED DIMENSIONS ARE IN MM AND DECIMAL MARKER IS A PERIOD.	SCALE	1/1
INTERPRET PER ANSI Y14.5 CODE IDENT 31413		CUSTOMER USE DRAWING	SIZE	D
			SHEET	1 OF 2

AMPHENOL TCS/DC HD CONNECTOR/REVISION/REV 01/23

REV	ECN	DESCRIPTION	BY	DATE	APPROVED
		SEE SHEET 1			



FOR REFERENCE ONLY; FOR SPECIFIC DETAILS, SEE C-USE DRAWINGS FOR BACKPLANE MODULES IN TABLE 2
 BACKPLANE COMPONENTS MUST BE PURCHASED SEPARATELY AND MAY DIFFER FROM EXAMPLE SHOWN



ITEM	PART NUMBER	DESCRIPTION	QTY
1	923-400E-40H	XCede HD 4PAIR 8POS. OPEN, 3MM W IPE, .0177" DRILL, NANO NI, STD GOLD	1

CUSTOMER: DISTRIBUTOR / XHD 4PAIR X 8, HSD 1000HMS

TOLERANCES	DESIGN 10/12/2022 J.LIU	Amphenol TCS A Division of Amphenol Corporation 200 Innovative Way, Nashua, NH 03062 803.879.3000	TITLE	XCede HD BACKPLANE ASSEMBLY 4 PAIR CONNECTOR, LEADFREE			
0.0 ±0.25	DRAWN 10/12/2022 AUTO GENERATED		PART NO.		JX410-51600		
0.00 ±0.13	CHK 10/12/2022 J.LIU		DRAWING NO.		C-JX410-51600		
0.000 ± -	APVD 12/02/2022 J.LIU		UNLESS OTHERWISE SPECIFIED DIMENSIONS ARE IN MM AND DECIMAL MARKER IS A PERIOD.		CRED FILES JX410-51600_BP_ASM JX410-51600_BP.DRW		
ANGLES ± 3°			INTERPRET PER ANSI Y14.5 CODE IDENT 31413		CUSTOMER USE DRAWING		
		SIZE	D	SCALE	1/1	SHEET	2 OF 2