

140546 ✓ ACTIVE

TE Internal #: 140546

Ring Terminals & Spade Terminals, Ring Tongue, 18 – 14 AWG

Wire Size, .8 – 2 mm² Wire Size, 1624 – 4106 CMA Wire Size, Stud Size 1/4

[View on TE.com >](#)



Terminals & Splices > Ring Terminals & Spade Terminals



Ring & Spade Terminal Type: **Ring Tongue**

Wire Size: **1624 – 4106 CMA**

Stud Size: **1/4**

Features

Product Type Features

Shape Description	Circular/Oval
Stud Size	1/4
Sealable	No
Compatible With Discrete Wire Type	Stranded
Wire Insulation Support Retention Type	Insulation Support

Contact Features

Contact Base Material	Brass
Ring & Spade Terminal Type	Ring Tongue
Barrel Type	Open
Terminal Orientation	Straight
Terminal Plating Material	Tin
Contact Underplating Material	None

Mechanical Attachment

Wire Insulation Support	With
-------------------------	------

Dimensions

	.1 in
--	-------



Wire Size	1624 – 4106 CMA
Stud Diameter	6.3 mm[.248 in]
Tongue Thickness	.61 mm[.024 in]
Product Length	19.81 mm[.78 in]
Barrel Inside Diameter	1.65 mm, 2.79 mm[.065 in][.11 in]
Compatible Insulation Diameter (Max)	3.56 mm[.14 in]
Compatible Insulation Diameter Range	2.5 – 3.56 mm[.1 – .14 in]

Usage Conditions

Insulation Option	Uninsulated
Operating Temperature Range	-40 – 110 °C[-40 – 230 °F]

Operation/Application

Compatible With Wire Base Material	Copper
------------------------------------	--------

Industry Standards

Government Qualified Terminal	No
-------------------------------	----

Packaging Features

Packaging Method	Strip/Reel
------------------	------------

Product Compliance

[For compliance documentation, visit the product page on TE.com>](#)

EU RoHS Directive 2011/65/EU	Compliant
EU ELV Directive 2000/53/EC	Compliant
China RoHS 2 Directive MIIT Order No 32, 2016	No Restricted Materials Above Threshold
EU REACH Regulation (EC) No. 1907/2006	Current ECHA Candidate List: JUNE 2023 (235) Candidate List Declared Against: JAN 2023 (233) Does not contain REACH SVHC
Halogen Content	Low Halogen - Br, Cl, F, I < 900 ppm per homogenous material. Also BFR/CFR/PVC Free
Solder Process Capability	Not applicable for solder process capability

Product Compliance Disclaimer

This information is provided based on reasonable inquiry of our suppliers and represents our current actual knowledge based on the information they provided. This information is subject to change. The part numbers that TE has identified as EU RoHS compliant have a maximum concentration of 0.1% by weight in homogenous materials for lead, hexavalent chromium, mercury, PBB, PBDE, DBP, BBP, DEHP, DIBP, and 0.01% for cadmium, or qualify for an exemption to these

limits as defined in the Annexes of Directive 2011/65/EU (RoHS2). Finished electrical and electronic equipment products will be CE marked as required by Directive 2011/65/EU. Components may not be CE marked. Additionally, the part numbers that TE has identified as EU ELV compliant have a maximum concentration of 0.1% by weight in homogenous materials for lead, hexavalent chromium, and mercury, and 0.01% for cadmium, or qualify for an exemption to these limits as defined in the Annexes of Directive 2000/53/EC (ELV). Regarding the REACH Regulation, the information TE provides on SVHC in articles for this part number is based on the latest European Chemicals Agency (ECHA) 'Guidance on requirements for substances in articles' posted at this URL: <https://echa.europa.eu/guidance-documents/guidance-on-reach>

Compatible Parts



TE Part # 160787-1
RING TONGUE IS 18-14 AWG .0840 X .940 BR



TE Part # 2-2150473-1
OCEAN_2.0_Applicator-E-130F180F



TE Part # 2-2150473-2
OCEAN_2.0_Applicator-E-130F180F



TE Part # 2150473-1
OCEAN_2.0_Applicator-E-130F180F

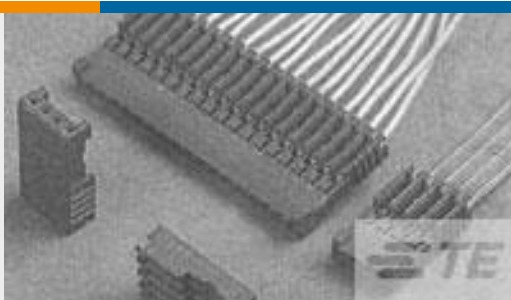


TE Part # 2150473-2
OCEAN_2.0_Applicator-E-130F180F



TE Part # 7-2150473-7
OCEAN_2.0_SPARE_PART_KIT-130F180F

Customers Also Bought



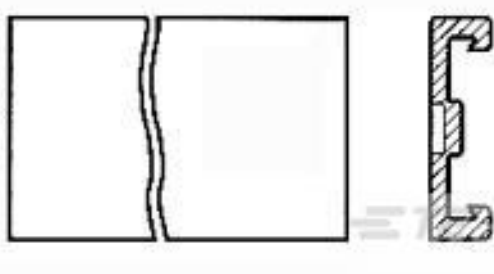
TE Part #281784-4
PLUG HE13 IDC 180 4 P AWG 26-24



TE Part #1241634-1
4POS MQS REC COD Z



TE Part #3-640429-4
04P MTA156 CONN ASSY 24AWG WHT



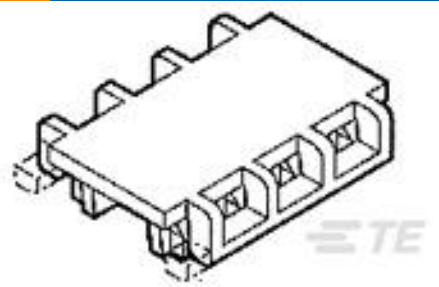
TE Part #640643-4
04P MTA156 COVER F/T



TE Part #1-480699-2
02P UMNL CAP HSG RED



TE Part #140731-2
RING TONGUE 1/4 22-16 AWG TPBR



TE Part #643071-4
04P MTA156 FD-THRU COVER



TE Part #1-480699-1
02P UMNL CAP HSG BRN



Documents

Product Drawings

[RING TONGUE 18-14 .236X.390 ELCTRO TPBR](#)

English

CAD Files

Customer View Model

[ENG_CVM_CVM_140546_L.2d_dxf.zip](#)

English

[3D PDF](#)

3D

Customer View Model

[ENG_CVM_CVM_140546_L.3d_igs.zip](#)

English

Customer View Model

[ENG_CVM_CVM_140546_L.3d_stp.zip](#)

English

By downloading the CAD file I accept and agree to the [Terms and Conditions](#) of use.

Product Specifications

[Product Specification](#)

English

[Product Specification](#)

English

[Product Specification](#)

English

Product Environmental Compliance

[MD_140546_06052018836_dmtec](#)

English

[MD_140546_06052018836_dmtec](#)

English

Agency Approvals

[Agency Approval Document](#)

English

140546

Ring Terminals & Spade Terminals, Ring Tongue, 18 – 14 AWG Wire Size, .8 – 2 mm²
Wire Size, 1624 – 4106 CMA Wire Size, Stud Size 1/4

