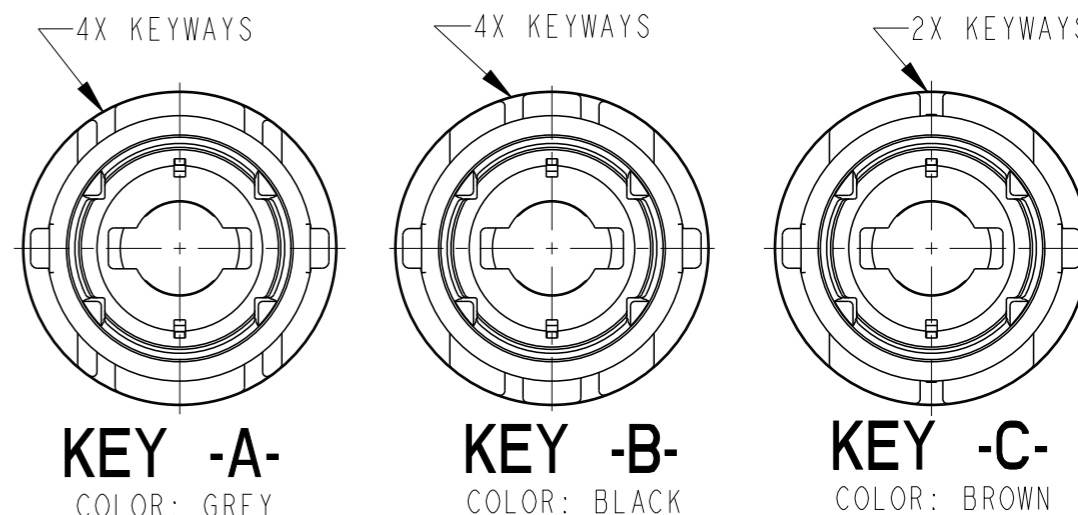
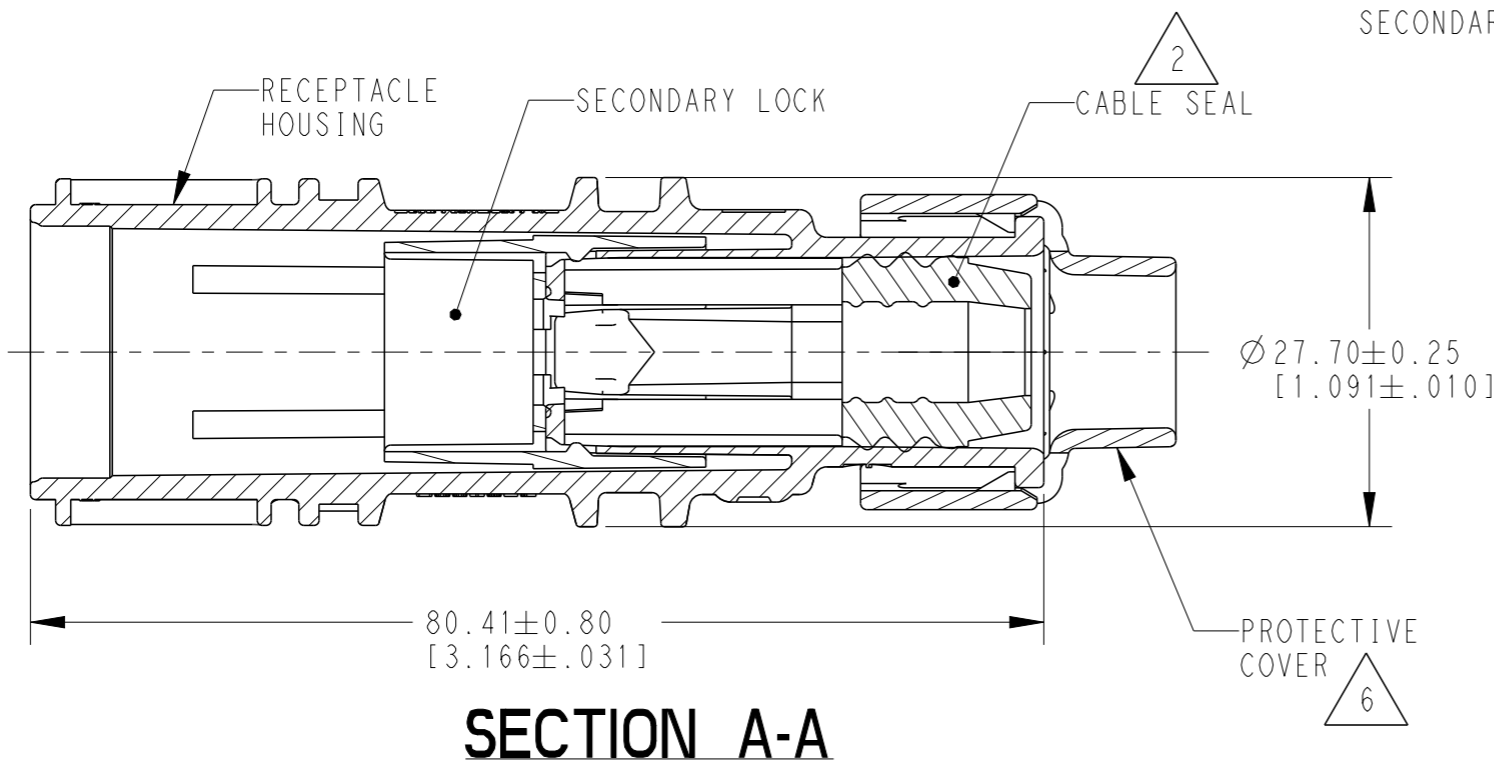
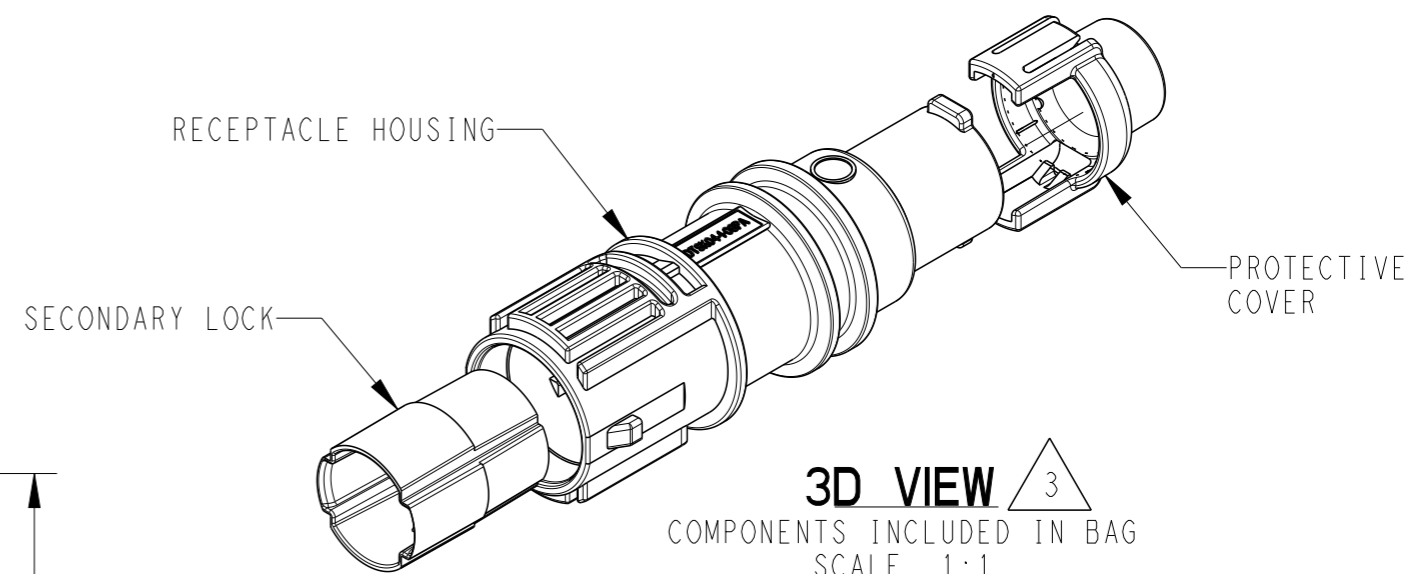
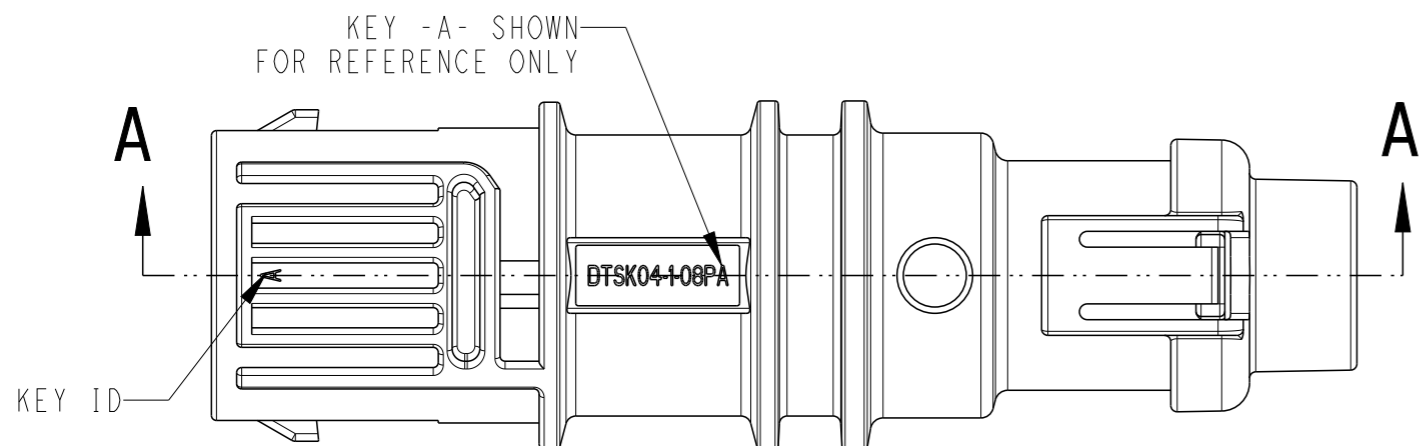


THIS DRAWING IS UNPUBLISHED. RELEASED FOR PUBLICATION 2015
 © COPYRIGHT 2015 BY TE CONNECTIVITY ALL RIGHTS RESERVED.

LOC	DIST	REVISIONS			
P	LTR	DESCRIPTION	DATE	DWN	APVD
	B2	REVISED PER ECO-16-003814	11MAR2016	JA	DM
	C	REVISED PER ECO-16-016157	09NOV2016	DD	DM
	C1	REVISED PER ECR-17-016062	31OCT2017	DD	DM
	C2	REVISED PER PCN :E-18-011832	23JUL2018	DD	DM



KEY ARRANGEMENTS

- 4 MATERIAL: RECEPTACLE HOUSING: PA46 GF10 (GREY, BLACK, BROWN)
 SECONDARY LOCK: PA66 GF10 (BLUE)
 PROTECTIVE COVER: PA66 GF15 (BLACK)
- 3 SECONDARY LOCK, PROTECTIVE COVER AND HOUSING ARE SHIPPED LOOSE IN INDIVIDUAL BAG. FOR INSTALLATION; SEE APPLICATION SPEC 114-151028
- 2 CABLE SEAL NOT INCLUDED. SEE TABLE FOR SEAL SELECTION.

TE INTERNAL PN	DEUTSCH PN
DTSK04-1-08PA	DTSK04-1-08PA
DTSK04-1-08PB	DTSK04-1-08PB
DTSK04-1-08PC	DTSK04-1-08PC

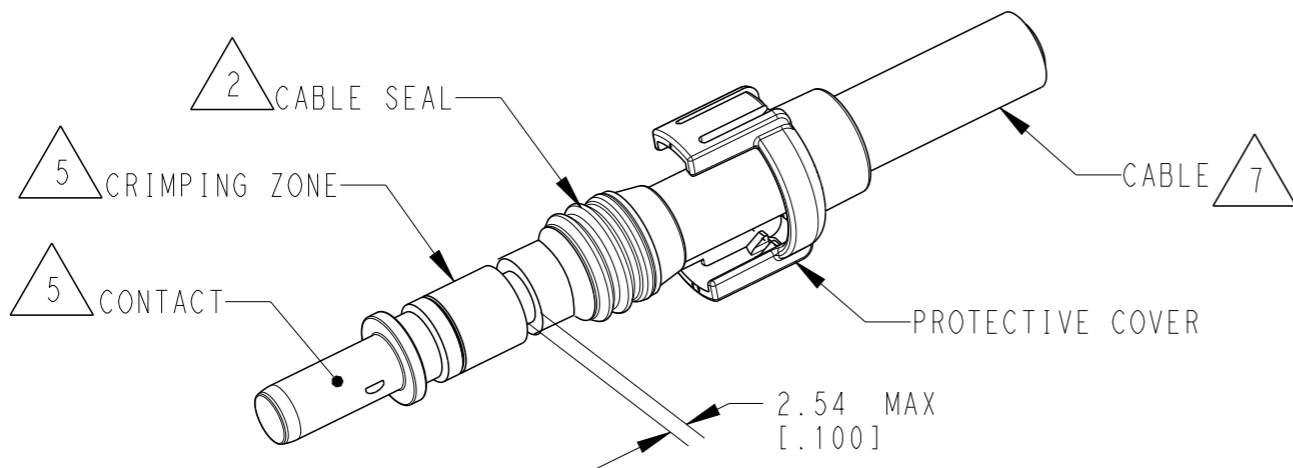
TE INTERNAL PN	DEUTSCH PN	MIN INSUL OD	MAX INSUL OD	CABLE SEAL COLOR
2289241-1	WS-25-001	8.17 [.322]	9.66 [.380]	BLUE
2289242-1	WS-32-001	9.49 [.374]	10.52 [.414]	RED
2289243-1	WS-35-001	10.59 [.417]	11.59 [.456]	GREEN

THIS DRAWING IS A CONTROLLED DOCUMENT.		DWN 19JAN2012 ILINA GRANICHAROVA			
DIMENSIONS: mm [INCHES]		CHK 22MAY2012 ILINA GRANICHAROVA			
TOLERANCES UNLESS OTHERWISE SPECIFIED:		APVD 23MAY2012 CLARK WOODRUFF		NAME RECEPTACLE, 8MM DTSK SERIES	
0 PLC ±		PRODUCT SPEC 108-151027		SIZE A3	
1 PLC ±		APPLICATION SPEC 114-151028		CAGE CODE 4AFU8	
2 PLC ±		WEIGHT 22.2g		DRAWING NO ©-DTSK04-1-08PX	
3 PLC ±		CUSTOMER DRAWING		RESTRICTED TO -	
4 PLC ±		SCALE 5:3		SHEET 1 OF 2	
ANGLES ±		REV C2			

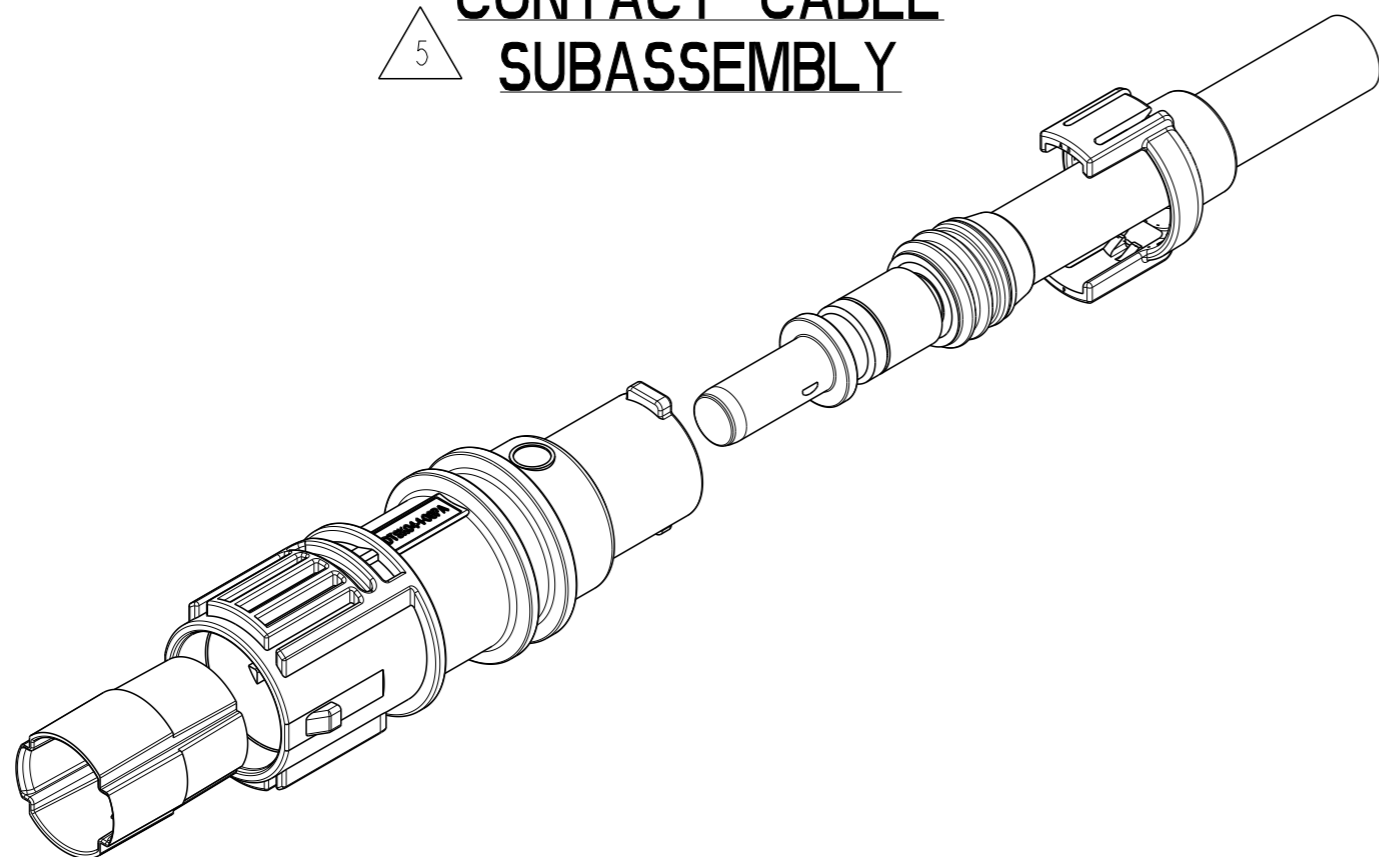
1. THIS RECEPTACLE MATES WITH DTSK06-1-08SX PLUG. (X=A,B,C KEYS)

NOTES:

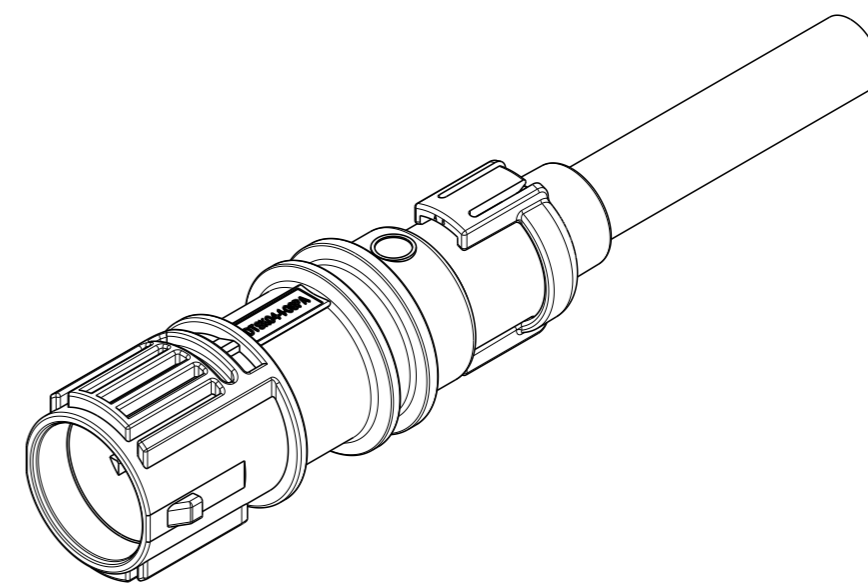
LOC		DIST		REVISIONS			
P	LTR	DESCRIPTION		DATE	DWN	APVD	
	-	SEE SHEET 1		-	-	-	



CONTACT CABLE SUBASSEMBLY



CONTACT INSTALLATION



WIRED AND COMPLETED ASSEMBLY

8. FOR FLANGE MOUNTING SEE DTSKF-1.
 RECEPTACLE INSTALLS INTO FLANGE USING 1/4 TURN.

7 FOR CABLE O.D. SEE APPLICATION SPEC 114-151028.

6 FOR PROTECTIVE COVER SEE 1028-047-08005.

5 FOR CONTACT AND CRIMP INFORMATION SEE APPLICATION SPEC 114-151039.

NOTES:

THIS DRAWING IS A CONTROLLED DOCUMENT.		DWN 19 JAN 2012 ILINA GRANICHAROVA			
DIMENSIONS: mm [INCHES]		CHK 22 MAY 2012 ILINA GRANICHAROVA			
		APVD 23 MAY 2012 CLARK WOODRUFF		NAME RECEPTACLE, 8MM DTSK SERIES	
		TOLERANCES UNLESS OTHERWISE SPECIFIED: 0 PLC ± 1 PLC ± 2 PLC ± 3 PLC ± 4 PLC ± ANGLES ±		PRODUCT SPEC 108-151027	
MATERIAL 4		FINISH		APPLICATION SPEC 114-151028	
		WEIGHT 22.2g		SIZE A3	CAGE CODE 4AFU8
		Customer Drawing		DRAWING NO DTSK04-1-08PX	RESTRICTED TO
		SCALE 1:1		SHEET 2 OF 2	REV C2