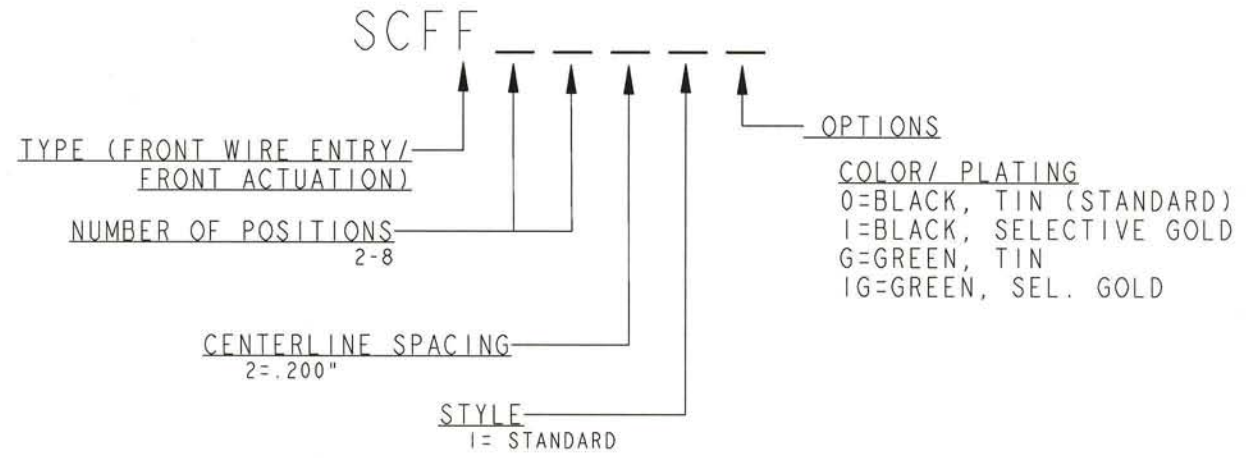


REV	ECN	APP'D
-	4503	10 10/31/01
A	5742	PN 12/28/05

## SCFF SERIES PART NUMBERING SCHEME



CONSULT PCD FOR PART NO. AND AVAILABILITY OF FOLLOWING OPTIONS:  
 \*CUSTOM COLORS            \*CUSTOM KEYING  
 \*CUSTOM MARKING        \*SELECTIVE CONTACT LOADING  
 \*NUMBER OF POSITIONS 9-24

**INSTALLATION RECOMMENDATIONS:**  
 WIRE RANGE: AWG #12-28, STRANDED OR SOLID,  
 WIRE STRIP LENGTH: .250" (6,35mm)

**MATERIALS:**  
 HOUSING: PPO, UL 94 V-0  
 CONTACT: PHOSPHOR BRONZE, TIN FINISH  
 SPRING CLAMP: STAINLESS STEEL

MAX OPERATING TEMP: 105°C

**R**  
RATINGS

CURRENT - 15 A  
 VOLTAGE - 300V  
 U.L. FILE NO. PENDING

---

**SP**  
RATINGS

CURRENT - 15 A  
 VOLTAGE - 300 V  
 CSA FILE NO. PENDING

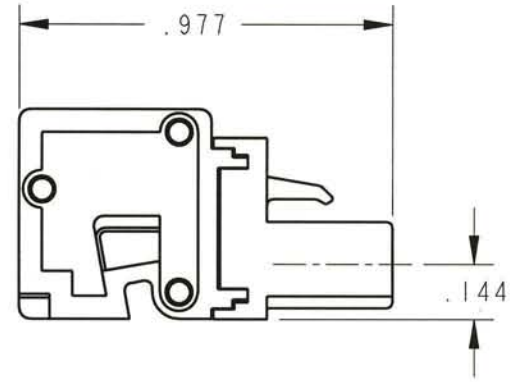
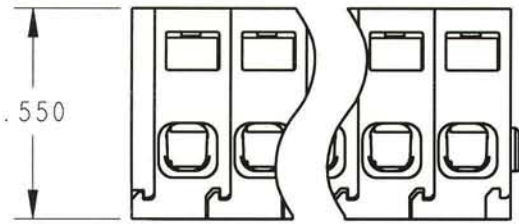
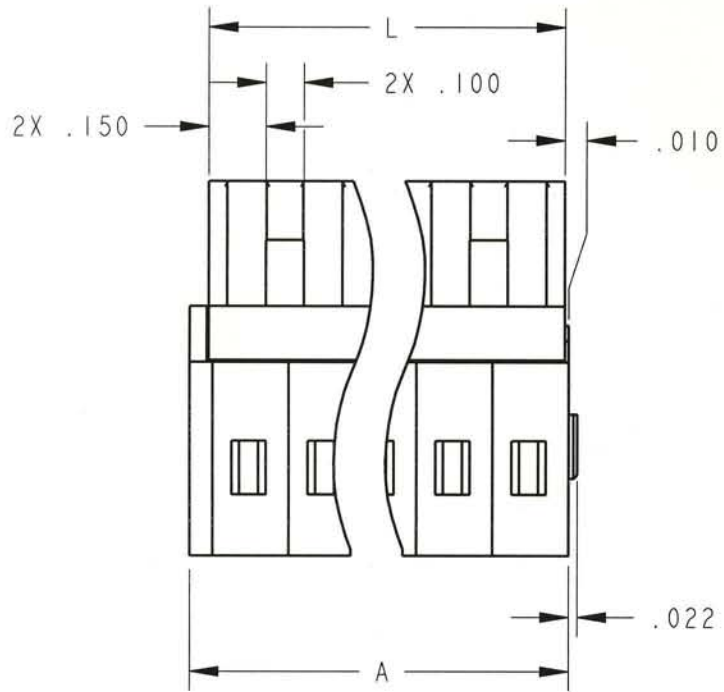
---

DIN VDE 0627:1986  
 DIN VDE 0110-1:1989  
 EN 60947-1:1991  
 EN 60947-7-1:1992

CURRENT -15 A  
 VOLTAGE - 300 V  
 TUV FILE NO. PENDING

<b>DIMENSIONS</b> ANSI Y14.5M UNITS: INCHES Pro/E FILE	<b>TOLERANCES</b> .XX ±0.01 .XXX ±0.005 ANGLES ±2.0°	<b>PROJECTION</b> 	<h1 style="margin: 0;">Amphenol Pcd</h1>	<b>TITLE</b> <h1 style="margin: 0;">SCF SERIES PLUGGABLE TERMINAL BLOCK</h1>			
			<b>ENGR</b> C. LUSHUA            7/17/01	<b>SIZE</b> <b>DWG NO.</b> <b>A</b> <b>SCFF02210</b>		<b>REV</b> <b>A</b>	
ORIGINAL STAMPED IN RED			<i>THIS DOCUMENT CONTAINS PROPRIETARY INFORMATION WHICH IS THE CONFIDENTIAL PROPERTY OF AMPHENOL PCD, INC. PEABODY, MA, USA</i>			<b>CHKD</b> A. PATRIE            10/30/01	
			<b>APPD</b> I. QUINN              10/31/01			<b>CODE:</b> 58982	<b>SCALE:</b> NONE

L=NUM OF POS X CL SPACING  
 A=NUM OF POS X CL SPACING+.060



SIZE	DWG NO.	REV
A	SCFF02210	A
CODE: 58982	SCALE: NONE	SHEET 2 OF 2