

# Lugs and Connectors

3M™ Scotchlok™ Lugs and Connectors are crimp connectors for power cable conductors. These connectors are used when splicing and terminating power cable.

## **3M™ Scotchlok™ Connectors 10000 and 11000 Series and Lugs 30000 and 31000 Series**

The 3M™ Scotchlok™ Connectors 10000 and 11000 Series, and the Lugs 30000 and 31000 Series are used on copper conductors only. They are available in standard or long barrel designs and are constructed of one-piece, seamless high-conductivity copper. (UL 486A Listed)

## **3M™ Scotchlok™ Connectors 20000 Series and Lugs 40000 Series**

The 3M™ Scotchlok™ Connectors 20000 Series and Lugs 40000 Series are for use with either copper or aluminum conductors. The aluminum connectors and lugs feature color coded end caps for identification. Contact aid provided in connector and lug barrels is compatible with poly/EPR insulations. (UL 486B Listed).

## **3M™ Connectors CI Series**

3M™ Connectors CI Series are for splicing applications on aluminum or copper cable conductors. The CI Series aluminum connectors are specially designed for use with 3M™ QS, QS-II and QS-III pre-molded power cable splice bodies. These connectors meet the requirements of ANSI C119.4.

## **3M™ Aerial Stem Connectors SC Series**

3M™ Aerial Stem Connectors SC Series feature an aluminum barrel for installations on either copper or aluminum cable conductors and are used when connecting a riser cable to an overhead line. The SC series connectors are also used when terminating an insulated power cable with 3M terminations. The SC series connectors are provided with a factory crimped and sealed copper stem for aerial line connection. The aluminum barrel and copper stem are tin plated to resist electrolytic corrosion.



### **3M™ Lugs OS Series**

3M™ Lugs OS Series are copper lugs that feature a solid oil stop. These lugs are for copper conductors only and are used with 3M™ Terminations 5800-Pb Series on paper-insulated lead covered (PILC) cables.

### **3M™ Connectors CIR Series**

3M™ Connectors CIR Series are specially designed for use with 3M™ QS-II Repair Splice Kits. They are aluminum connectors for use on aluminum or copper cable conductors. When used with the appropriate splice kit, these connectors allow up to 6 inches (152 mm) of damaged cable conductor to be removed, eliminating the need to splice in a new section of cable. CIR series connectors meet the requirements of ANSI C119.4.

### **3M™ Scotchlok™ Connectors 2000T Series**

The 3M Scotchlok Connectors 2000T Series offers two solutions for your copper and/or aluminum connecting needs for PILC power cable. The 3M Scotchlok Connectors 2000T-CU Series are copper inline sleeves that are for use with copper conductor cables of the same size when connecting copper cable to copper cable only. The 3M Scotchlok 2000T Reducer Series is for connecting cables of different sizes and types. They are aluminum inline sleeves that are applicable for both aluminum and copper conductors, and because the barrel diameters at the connector ends are different, it allows connecting conductors of different sizes. All connectors in the 2000T series feature a solid center oil stop.

Section	Page
<b>Lugs</b> .....	<b>88-96</b>
One Hole Lugs .....	88-91
3M™ Scotchlok™ Copper Lugs 30000 Series, One Hole, Standard Barrel, up to 35 kV .....	88
3M™ Scotchlok™ Copper Lugs 31000 Series, One Hole, Long-Barrel, up to 35 kV .....	89
3M™ Scotchlok™ Aluminum Lugs 40000 Series, One Hole (AL9CU), up to 35 kV .....	90-91
Two Hole Lugs .....	92-93
3M™ Scotchlok™ Copper Lugs 31100 Series, Two Hole, Long-Barrel, up to 35 kV .....	92
3M™ Scotchlok™ Aluminum Lugs 40100 Series-Two Hole (AL9CU) up to 35 kV .....	93
Oil Seal Lugs .....	94
3M™ Oil Seal Lugs, up to 35 kV .....	94
Stem Connectors .....	95
3M™ Stem Connectors SC Series, up to 35 kV .....	95
Parallel Clamp .....	95
3M™ Parallel Clamp CP-1, up to 35 kV .....	95
Aluminum Lugs for T-Bodies/Modular Splices .....	96
3M™ Aluminum One Hole Lugs for T-Bodies .....	96
<b>Connectors</b> .....	<b>97-106</b>
Compression Splice Connectors .....	97-102
3M™ Scotchlok™ Copper Connectors 10000 Series, Standard Barrel, up to 35 kV .....	97
3M™ Scotchlok™ Copper Connectors 11000 Series, Long Barrel, up to 35 kV .....	98
3M™ Scotchlok™ Aluminum Connectors 20000 Series (AL9CU) up to 35 kV .....	99
3M™ Aluminum Connectors CI Series, up to 35 kV .....	100
3M™ Aluminum Connectors CI-A Series, up to 35 kV .....	101
3M™ Scotchlok™ Connectors 2000T-CU, up to 35 kV .....	102
Transition Splice Connectors .....	103-104
3M™ Scotchlok™ Reducer Series Connectors 2000T-CU/AL, up to 35 kV .....	103
3M™ Aluminum Transition Connectors CI-T Series, up to 35 kV .....	104
Repair Splice Connectors .....	105
3M™ Aluminum Repair Connectors CIR Series .....	105
Shearbolt Splice Connectors .....	106
3M™ Shearbolt Connector QCI Series .....	106

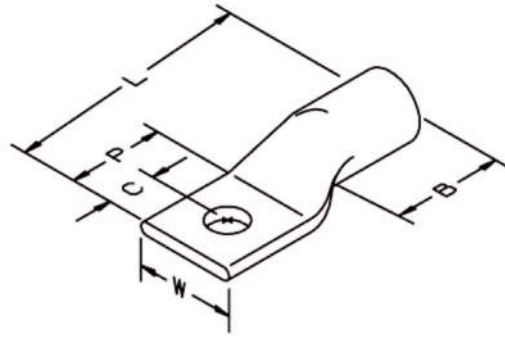
## Lugs: One Hole Lugs

# 3M™ Scotchlok™ Copper Lugs 30000 Series, One Hole, Standard Barrel, up to 35 KV

The 3M™ Scotchlok™ Copper Lugs 30000 Series are a family of one hole, standard barrel lugs from 6–4/0 AWG designed for terminating copper conductors. Each lug is tin plated to resist corrosion and can be installed with standard industry tools. Chamfered ends ensure ease of conductor insertion.

O.D. = Outside Diameter; (B) = Barrel Length (B); (C) = Center of Hole to End of Pad (C); (L) = Length (L); (P) = Pad Length (P); (W) = Pad Width (W)

Barrel Style	Standard Barrel
No. of Holes	One Hole
Lug Base Metal	Copper
For use with	Copper Conductor Only
Dimension (C)	0.37" (9,5 mm), *0.53" (13,4 mm)
RoHS 2011/65/EU	Yes
Agency Approval	



Order No.	UPC (054007)	Wire & Stud Size	Color	O.D.	(B)	(L)	(P)	(W)	Min/Cs Qty
30014	-12410	6 AWG #10	Blue	0.29" (7,4 mm)	0.86" (21,8 mm)	1.78" (45,2 mm)	0.75" (19,1 mm)	0.43" (11,0 mm)	50
30015	-12428	6 AWG 1/4"	Blue	0.29" (7,4 mm)	0.86" (21,8 mm)	1.78" (45,2 mm)	0.75" (19,1 mm)	0.43" (11,0 mm)	50
30016	-12436	6 AWG 5/16"	Blue	0.29" (7,4 mm)	0.86" (21,8 mm)	1.78" (45,2 mm)	0.75" (19,1 mm)	0.50" (12,7 mm)	50
30018	-12444	4 AWG #10	Gray	0.34" (8,6 mm)	0.75" (19,1 mm)	1.94" (49,3 mm)	0.89" (22,6 mm)	0.48" (12,3 mm)	50
30019	-12451	4 AWG 1/4"	Gray	0.34" (8,6 mm)	0.75" (19,1 mm)	1.94" (49,3 mm)	0.89" (22,6 mm)	0.48" (12,3 mm)	50
30021	-12469	4 AWG 3/8"	Gray	0.34" (8,6 mm)	0.75" (19,1 mm)	1.94" (49,3 mm)	0.89" (22,6 mm)	0.59" (15,1 mm)	50
30022	-12477	2 AWG 1/4"	Brown	0.42" (10,6 mm)	0.81" (20,7 mm)	1.97" (50,0 mm)	0.89" (22,6 mm)	0.63" (15,9 mm)	25
30023	-12485	2 AWG 5/16"	Brown	0.42" (10,6 mm)	0.81" (20,7 mm)	1.97" (50,0 mm)	0.89" (22,6 mm)	0.63" (15,9 mm)	25
30024	-12493	2 AWG 3/8"	Brown	0.42" (10,6 mm)	0.81" (20,7 mm)	1.97" (50,0 mm)	0.89" (22,6 mm)	0.63" (15,9 mm)	25
30027	-12501	1 AWG 5/16"	Green	0.46" (11,7 mm)	0.81" (20,7 mm)	1.97" (50,0 mm)	0.75" (19,1 mm)	0.69" (17,5 mm)	10
30028	-12519	1 AWG 3/8"	Green	0.46" (11,7 mm)	0.81" (20,7 mm)	1.97" (50,0 mm)	0.75" (19,1 mm)	0.69" (17,5 mm)	10
30031	-12527	1/0 AWG 5/16"	Pink	0.51" (13,0 mm)	0.81" (20,7 mm)	2.16" (54,9 mm)	0.89" (22,6 mm)	0.75" (19,1 mm)	10
30032	-12535	1/0 AWG 3/8"	Pink	0.51" (13,0 mm)	0.81" (20,7 mm)	2.16" (54,9 mm)	0.89" (22,6 mm)	0.75" (19,1 mm)	10
30036	-12543	2/0 AWG 3/8"	Black	0.56" (14,2 mm)	0.87" (22,2 mm)	2.37" (60,2 mm)	1.11" (28,2 mm)	0.81" (20,7 mm)	10
30041*	-12568	3/0 AWG 1/2"	Orange	0.62" (15,8 mm)	0.94" (23,8 mm)	2.63" (66,8 mm)	1.11" (28,2 mm)	0.91" (23,1 mm)	10
30045*	-12584	4/0 AWG 1/2"	Purple	0.68" (17,4 mm)	0.97" (24,6 mm)	2.60" (65,9 mm)	1.11" (28,2 mm)	1.00" (25,4 mm)	10

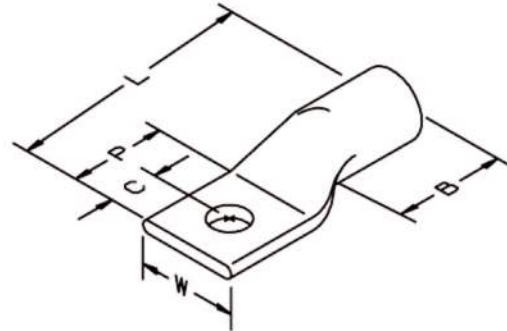
Lugs: One Hole Lugs

## 3M™ Scotchlok™ Copper Lugs 31000 Series, One Hole, Long-Barrel, up to 35 kV

The 3M™ Scotchlok™ Copper Lugs 31000 Series are a family of one hole, long barrel lugs from 2/0 AWG–600 kcmil designed for terminating copper conductors. Each lug is tin plated to resist corrosion and can be installed with standard industry tools. Chamfered ends ensure ease of conductor insertion.

O.D. = Outside Diameter; (B) = Barrel Length (B); (C) = Center of Hole to End of Pad (C); (L) = Length (L); (P) = Pad Length (P); (W) = Pad Width (W)

Barrel Style Long Barrel  
 No. of Holes One Hole  
 Lug Base Metal Copper  
 For use with Copper Conductor Only  
 RoHS 2011/65/EU Yes  
 Agency Approval 



Order No.	UPC (054007)	Wire & Stud Size	Color	O.D.	(B)	(C)	(L)	(P)	(W)	Min/Cs Qty
31036	-12550	2/0 AWG 3/8"	Black	0.56" (14,2 mm)	1.44" (36,6 mm)	0.37" (9,5 mm)	2.84" (72,2 mm)	0.89" (22,6 mm)	0.81" (20,6 mm)	10
31041	-12576	3/0 AWG 1/2"	Orange	0.62" (15,8 mm)	1.44" (36,5 mm)	0.53" (13,4 mm)	3.13" (79,5 mm)	1.11" (28,2 mm)	0.91" (23,0 mm)	10
31045	-12592	4/0 AWG 1/2"	Purple	0.68" (17,4 mm)	1.56" (39,7 mm)	0.53" (13,4 mm)	3.32" (84,4 mm)	1.11" (28,2 mm)	1.00" (25,4 mm)	10
31049	-12618	250 kcmil 1/2"	Yellow	0.75" (19,1 mm)	1.50" (38,1 mm)	0.53" (13,4 mm)	3.38" (85,8 mm)	1.11" (28,2 mm)	1.11" (28,2 mm)	10
31053	-12634	300 kcmil 1/2"	White	0.81" (20,6 mm)	1.94" (49,2 mm)	0.53" (13,4 mm)	3.78" (96,0 mm)	1.11" (28,2 mm)	1.22" (30,9 mm)	10
31056	-12659	350 kcmil 1/2"	Red	0.88" (22,4 mm)	1.94" (49,2 mm)	0.53" (13,4 mm)	3.84" (97,5 mm)	1.11" (28,2 mm)	1.27" (32,2 mm)	10
31060	-11978	400 kcmil 1/2"	Blue	0.95" (24,1 mm)	2.00" (50,8 mm)	0.66" (16,7 mm)	4.16" (105,7 mm)	1.34" (34,2 mm)	1.41" (35,8 mm)	10
31066	-12675	500 kcmil 1/2"	Brown	1.06" (27,0 mm)	2.19" (55,6 mm)	0.66" (16,7 mm)	4.50" (114,3 mm)	1.34" (34,2 mm)	1.53" (38,9 mm)	10
31067	-12683	500 kcmil 5/8"	Brown	1.06" (27,0 mm)	2.19" (55,6 mm)	0.66" (16,7 mm)	4.50" (114,3 mm)	1.34" (34,2 mm)	1.53" (38,9 mm)	10
31068	-11980	600 kcmil 1/2"	Green	1.18" (30,0 mm)	2.60" (66,0 mm)	0.88" (22,4 mm)	5.12" (130,0 mm)	1.75" (44,4 mm)	1.69" (42,9 mm)	6

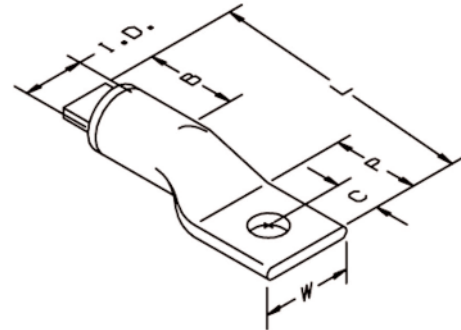
## Lugs: One Hole Lugs

### 3M™ Scotchlok™ Aluminum Lugs 40000 Series, One Hole (AL9CU), up to 35 kV

The 3M™ Scotchlok™ Aluminum Compression Lugs 40000 Series are one hole lugs made of high conductivity aluminum and are designed to cover a wide range of conductor sizes from 6 AWG–1000 kcmil. They are designed to be crimped onto either aluminum or copper conductors. Each lug is electro-tin plated to resist electrolytic corrosion. They are installed using standard industry tools. Chamfered ends ensure simplicity and ease of conductor insertion.

O.D. = Outside Diameter; (B) = Barrel Length (B); (C) = Center of Hole to End of Pad (C); (L) = Length (L); (P) = Pad Length (P); (W) = Pad Width (W)

Barrel Style	Standard Barrel
No. of Holes	One Hole
Lug Base Metal	Aluminum
For use with	Aluminum or Copper Conductor
RoHS 2011/65/EU	Yes



Order No.	UPC (054007)	Wire & Stud Size	Color	O.D.	(B)	(C)	(L)	(P)	(W)	Min/Cs Qty
40016	-13400	6 AWG 5/16"	Gray	0.34" (8,8 mm)	0.75" (19,1 mm)	0.44" (11,2 mm)	2.28" (57,9 mm)	0.88" (22,3 mm)	0.56" (14,2 mm)	50
40020	-13418	4 AWG 5/16"	Green	0.47" (11,9 mm)	0.94" (23,8 mm)	0.44" (11,2 mm)	2.30" (58,4 mm)	0.96" (24,4 mm)	0.62" (15,7 mm)	50
40024	-13426	2 AWG 3/8"	Pink	0.53" (13,5 mm)	0.92" (23,4 mm)	0.44" (11,2 mm)	2.62" (66,5 mm)	1.03" (26,2 mm)	0.75" (19,1 mm)	25
40025	-13434	2 AWG 1/2"	Pink	0.53" (13,5 mm)	0.92" (23,4 mm)	0.44" (11,2 mm)	2.62" (66,5 mm)	1.12" (28,4 mm)	0.75" (19,1 mm)	25
40028	-13442	1 AWG 3/8"	Gold	0.53" (13,5 mm)	0.92" (23,4 mm)	0.44" (11,2 mm)	2.62" (66,5 mm)	1.03" (26,2 mm)	0.75" (19,1 mm)	10
40029	-13459	1 AWG 1/2"	Gold	0.53" (13,5 mm)	0.92" (23,4 mm)	0.44" (11,2 mm)	2.62" (66,5 mm)	1.12" (28,4 mm)	0.75" (19,1 mm)	10
40032	-13467	1/0 AWG 3/8"	Tan	0.64" (16,1 mm)	1.18" (30,0 mm)	0.62" (15,7 mm)	3.12" (79,2 mm)	1.31" (33,3 mm)	0.88" (22,4 mm)	10
40033	-13475	1/0 AWG 1/2"	Tan	0.64" (16,1 mm)	1.18" (30,0 mm)	0.62" (15,7 mm)	3.12" (79,2 mm)	1.31" (33,3 mm)	0.88" (22,4 mm)	10
40037	-13483	2/0 AWG 1/2"	Olive	0.69" (17,5 mm)	1.30" (33,0 mm)	0.62" (15,7 mm)	3.19" (81,0 mm)	1.25" (31,8 mm)	0.95" (24,2 mm)	10
40041	-13491	3/0 AWG 1/2"	Ruby	0.76" (19,3 mm)	1.50" (38,1 mm)	0.62" (15,7 mm)	3.44" (87,4 mm)	1.28" (32,5 mm)	1.06" (26,9 mm)	10
40045	-13509	4/0 AWG 1/2"	White	0.88" (22,2 mm)	1.44" (36,6 mm)	0.62" (15,7 mm)	3.56" (90,4 mm)	1.34" (34,1 mm)	1.19" (30,2 mm)	10
40046	-13517	4/0 AWG 5/8"	White	0.88" (22,2 mm)	1.44" (36,6 mm)	0.62" (15,7 mm)	3.56" (90,4 mm)	1.34" (34,1 mm)	1.19" (30,2 mm)	10

Lugs: One Hole Lugs

**3M™ Scotchlok™ Aluminum Lugs 40000 Series, One Hole (AL9CU), up to 35 kV  
(continued)**

Order No.	UPC (054007)	Wire & Stud Size	Color	O.D.	(B)	(C)	(L)	(P)	(W)	Min/Cs Qty
40049	-13525	250 kcmil 1/2"	Red	0.91" (23,0 mm)	1.56" (39,6 mm)	0.62" (15,7 mm)	3.62" (91,9 mm)	1.31" (33,2 mm)	1.24" (31,4 mm)	10
40050	-13533	250 kcmil 5/8"	Red	0.91" (23,0 mm)	1.59" (40,4 mm)	0.62" (15,7 mm)	3.62" (91,9 mm)	1.31" (33,2 mm)	1.24" (31,4 mm)	10
40053	-13541	300 kcmil 1/2"	Dark Blue	1.01" (25,7 mm)	2.20" (55,6 mm)	0.62" (15,7 mm)	4.00" (101,6 mm)	1.31" (33,2 mm)	1.36" (34,5 mm)	10
40056	-13558	350 kcmil 1/2"	Brown	1.11" (28,1 mm)	2.20" (55,6 mm)	0.62" (15,7 mm)	4.25" (108,0 mm)	1.31" (33,3 mm)	1.49" (37,8 mm)	10
40057	-13566	350 kcmil 5/8"	Brown	1.11" (28,1 mm)	2.19" (55,6 mm)	0.62" (15,7 mm)	4.32" (109,7 mm)	1.31" (33,3 mm)	1.49" (37,8 mm)	10
40067	-13574	500 kcmil 5/8"	Pink	1.32" (33,5 mm)	2.94" (74,6 mm)	0.62" (15,7 mm)	5.44" (138,2 mm)	1.50" (38,1 mm)	1.73" (43,9 mm)	10
40073	-13582	750 kcmil 5/8"	Yellow	1.50" (38,1 mm)	3.32" (84,3 mm)	0.88" (22,4 mm)	6.38" (162,1 mm)	1.87" (47,5 mm)	1.72" (43,6 mm)	6
40079	-13590	1000 kcmil 5/8"	Brown	1.84" (46,8 mm)	4.62" (117,3 mm)	0.88" (22,4 mm)	7.94" (201,6 mm)	1.87" (47,5 mm)	2.42" (61,4 mm)	6




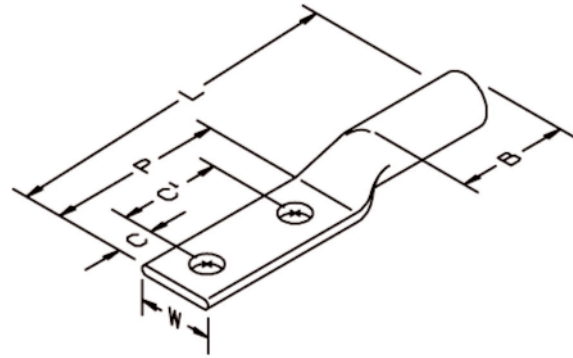
## Lugs: Two Hole Lugs

### 3M™ Scotchlok™ Copper Lugs 31100 Series, Two Hole, Long-Barrel, up to 35 kV

The 3M™ Scotchlok™ Copper Lugs 31100 Series are a family of two hole lugs from 4 AWG–1000 kcmil designed for terminating copper conductors. Each lug is tin plated to resist corrosion and can be installed with standard industry tools. Chamfered ends ensure ease of conductor insertion.

O.D. = Outside Diameter; (B) = Barrel Length; (C) = Center of Hole to End of Pad; (C') = Center of Hole to Center of Hole; (L) = Length; (P) = Pad Length; (W) = Pad Width

Barrel Style	Long Barrel
No. of Holes	Two Hole
Lug Base Metal	Copper
For use with	Copper Conductor Only
Dimension (C)	0.63" (16,0 mm)
Dimension (C')	1.75" (44,5 mm)
RoHS 2011/65/EU	Yes
*Agency Approval	* 



Order No.	UPC	Wire & Stud Size	Color	O.D.	(B)	(L)	(P)	(W)	Min/Case Qty
31122	051138-52496	4 AWG 1/2"	Gray	0.34" (8,6 mm)	0.93" (23,5 mm)	4.19" (106,4 mm)	3.00" (76,2 mm)	0.66" (16,7 mm)	25
31125	051138-52497	2 AWG 1/2"	Brown	0.42" (10,6 mm)	1.25" (31,8 mm)	4.85" (123,2 mm)	3.00" (76,2 mm)	0.63" (16,0 mm)	25
31129	051138-52498	1 AWG 1/2"	Green	0.42" (10,6 mm)	1.25" (31,8 mm)	4.85" (123,2 mm)	3.00" (76,2 mm)	0.69" (17,5 mm)	10
31130	051138-52499	1/0 AWG 1/2"	Pink	0.51" (13,0 mm)	1.38" (31,5 mm)	4.98" (126,5 mm)	3.00" (76,2 mm)	0.75" (19,0 mm)	10
31137	051138-69245	2/0 AWG 1/2"	Black	0.56" (14,2 mm)	1.50" (38,1 mm)	5.03" (127,8 mm)	3.00" (76,2 mm)	0.81" (20,7 mm)	10
31141	051138-69246	3/0 AWG 1/2"	Orange	0.62" (15,8 mm)	1.44" (36,5 mm)	5.13" (130,3 mm)	3.00" (76,2 mm)	0.91" (23,0 mm)	10
31145*	054007-12600	4/0 AWG 1/2"	Purple	0.68" (17,4 mm)	1.56" (39,7 mm)	5.16" (131,1 mm)	3.00" (76,2 mm)	1.00" (25,4 mm)	10
31149*	054007-12626	250 kcmil 1/2"	Yellow	0.75" (19,1 mm)	1.56" (39,7 mm)	5.31" (134,9 mm)	3.00" (76,2 mm)	1.13" (28,6 mm)	10
31153*	054007-12642	300 kcmil 1/2"	White	0.81" (20,6 mm)	1.94" (49,2 mm)	5.75" (146,1 mm)	3.00" (76,2 mm)	1.22" (31,0 mm)	10
31156*	054007-12667	350 kcmil 1/2"	Red	0.87" (22,1 mm)	1.94" (49,2 mm)	5.75" (146,1 mm)	3.00" (76,2 mm)	1.31" (33,4 mm)	10
31160*	054007-11979	400 kcmil 1/2"	Blue	0.95" (24,1 mm)	2.12" (53,8 mm)	6.00" (152,4 mm)	3.00" (76,2 mm)	1.41" (35,8 mm)	10
31166*	054007-12691	500 kcmil 1/2"	Brown	1.06" (26,9 mm)	2.19" (55,6 mm)	6.16" (156,4 mm)	3.00" (76,2 mm)	1.53" (38,9 mm)	10
31168*	054007-11981	600 kcmil 1/2"	Green	1.18" (30,1 mm)	2.62" (66,5 mm)	6.72" (170,6 mm)	3.00" (76,2 mm)	1.69" (42,9 mm)	6
31172*	054007-12709	750 kcmil 1/2"	Black	1.29" (33,0 mm)	2.81" (71,5 mm)	7.00" (177,8 mm)	3.00" (76,2 mm)	1.72" (43,7 mm)	6
31178*	054007-00907	1000 kcmil 1/2"	White	1.50" (38,1 mm)	2.94" (74,6 mm)	7.28" (184,9 mm)	3.00" (76,2 mm)	1.72" (43,7 mm)	6



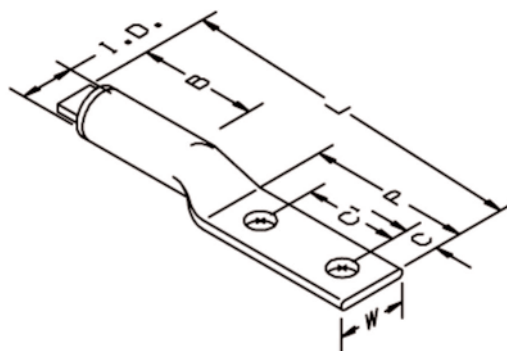
## Lugs: Two Hole Lugs

**3M™ Scotchlok™ Aluminum Lugs 40100 Series-Two Hole (AL9CU) up to 35 kV**

The 3M™ Scotchlok™ Aluminum Compression Lugs 40100 Series are a family of two hole lugs made of high conductivity aluminum and are designed to cover a wide range of conductor sizes from 1/0 AWG–1000 kcmil. They are designed to be crimped onto either aluminum or copper conductors. Each lug is electro-tin plated to resist electrolytic corrosion. They are installed using standard industry tools. Chamfered ends ensure simplicity and ease of conductor insertion.

O.D. = Outside Diameter; (B) = Barrel Length; (C) = Center of Hole to End of Pad; (C') = Center of Hole to Center of Hole; (L) = Length; (P) = Pad Length; (W) = Pad Width

Barrel Style	Standard Barrel
No. of Holes	Two Hole
Lug Base Metal	Aluminum
For use with	Aluminum or Copper Conductor
Dimension (C)	0.62" (15,7 mm)
Dimension (C')	1.75" (44,5 mm)
RoHS 2011/65/EU	Yes
Agency Approval	



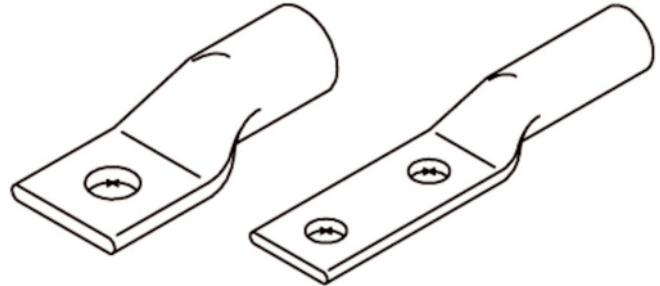
Order No.	UPC (054007)	Wire & Stud Size	Color	O.D.	(B)	(L)	(P)	(W)	Min/Cs Qty
40132	-13608	1/0 AWG, 3/8"	Tan	0.640" (16,3 mm)	1.50" (38,1 mm)	5.28" (134,1 mm)	3.25" (82,6 mm)	0.88" (22,4 mm)	10
40137	-13616	2/0 AWG, 1/2"	Olive	0.687" (17,5 mm)	1.50" (38,1 mm)	5.50" (139,7 mm)	3.25" (82,6 mm)	0.94" (23,8 mm)	10
40141	-13624	3/0 AWG, 1/2"	Ruby	0.760" (19,3 mm)	1.50" (38,1 mm)	5.50" (139,7 mm)	3.25" (82,6 mm)	1.06" (26,9 mm)	10
40145	-13632	4/0 AWG, 1/2"	White	0.875" (22,2 mm)	1.94" (49,2 mm)	6.00" (152,4 mm)	3.38" (85,8 mm)	1.19" (30,2 mm)	10
40149	-13640	250 kcmil, 1/2"	Red	0.906" (23,0 mm)	1.94" (49,2 mm)	6.00" (152,4 mm)	3.38" (85,8 mm)	1.25" (31,8 mm)	10
40153	-13657	300 kcmil, 1/2"	Dark Blue	1.010" (25,7 mm)	2.25" (57,2 mm)	6.56" (166,6 mm)	3.56" (90,4 mm)	1.38" (35,1 mm)	10
40156	-13665	350 kcmil, 1/2"	Brown	1.105" (28,1 mm)	2.25" (57,2 mm)	6.56" (166,6 mm)	3.56" (90,4 mm)	1.50" (38,1 mm)	10
40160	-13673	400 kcmil, 1/2"	Green	1.187" (30,2 mm)	2.50" (63,5 mm)	6.88" (174,8 mm)	3.56" (90,4 mm)	1.62" (41,1 mm)	10
40166	-13681	500 kcmil, 1/2"	Pink	1.320" (33,5 mm)	3.00" (76,2 mm)	7.31" (185,7 mm)	3.56" (90,4 mm)	1.75" (44,5 mm)	10
40170	-13699	600 kcmil, 1/2"	Black	1.43" (36,3 mm)	3.00" (76,2 mm)	7.75" (196,9 mm)	3.62" (92,0 mm)	1.75" (44,5 mm)	6
40172	-13707	750 kcmil, 1/2"	Yellow	1.50" (38,1 mm)	3.38" (85,9 mm)	8.25" (209,6 mm)	3.62" (92,0 mm)	1.75" (44,5 mm)	6
40178	-13715	1000 kcmil, 1/2"	Brown	1.84" (46,7 mm)	4.62" (117,4 mm)	9.68" (245,8 mm)	3.62" (92,0 mm)	2.44" (62,0 mm)	6

## Lugs: Oil Seal Lugs

### 3M™ Oil Seal Lugs, up to 35 kV

3M™ Oil Seal Lugs OS Series are copper one hole and two hole lugs that feature a solid oil stop. These lugs are for copper conductors only and are used with 3M™ PILC Termination Kits 5800-Pb Series on paper insulated lead covered (PILC) cables. Each lug is electro-tin plated to resist electrolytic corrosion.

Barrel Style	Standard Barrel
Lug Base Metal	Copper
For use with	Copper Conductor Only
Type of Seal	Oil Seal



Order No.	UPC	No. of Holes	Conductor Size - Stranded (Solid)	Stud Size	Inside Diameter	O.D.	Center of Hole to Center of Hole	Center of Hole to End of Pad	Min/Case Qty
OS0001	054007-50438	One hole	2 AWG (1 AWG)	3/8"	0.307" (7,8 mm)	0.415" (10,5 mm)	N/A	0.406" (10,3 mm)	10
OS0010	054007-50439	One hole	1/0 AWG (2/0 AWG)	3/8"	0.414" (10,5 mm)	0.513" (13,1 mm)	N/A	0.406" (10,3 mm)	10
OS0020	054007-50440	One hole	2/0 AWG (3/0 AWG)	3/8"	0.439" (11,2 mm)	0.563" (14,3 mm)	N/A	0.406" (10,3 mm)	10
OS0030	054007-50441	One hole	3/0 AWG (4/0 AWG)	1/2"	0.490" (12,4 mm)	0.615" (15,6 mm)	N/A	0.531" (13,4 mm)	10
OS0040	054007-50442	One hole	4/0 AWG (250 kcmil)	1/2"	0.548" (13,9 mm)	0.688" (17,4 mm)	N/A	0.531" (13,4 mm)	10
OS0250	054007-50443	Two holes	250 kcmil (N/A)	1/2"	0.595" (15,1 mm)	0.750" (19,1 mm)	1.75" (44,5 mm)	0.625" (15,8 mm)	10
OS0350	054007-50444	Two holes	350 kcmil (N/A)	1/2"	0.700" (17,8 mm)	0.875" (22,2 mm)	1.75" (44,5 mm)	0.625" (15,8 mm)	10
OS0500	054007-50445	Two holes	500 kcmil (N/A)	1/2"	0.886" (22,5 mm)	1.060" (26,9 mm)	1.75" (44,5 mm)	0.625" (15,8 mm)	10
OS0750	054007-50446	Two holes	750 kcmil (N/A)	1/2"	1.031" (26,2 mm)	1.300" (33,0 mm)	1.75" (44,5 mm)	0.625" (15,8 mm)	3
OS1000	054007-50447	Two holes	1000 kcmil (N/A)	1/2"	1.173" (29,8 mm)	1.500" (38,1 mm)	1.75" (44,5 mm)	0.625" (15,8 mm)	3

## Lugs: Stem Connectors

**3M™ Stem Connectors SC Series, up to 35 kV**

3M™ Stem Connectors SC Series feature a tin-plated aluminum barrel for installations on either copper or aluminum cable conductors and are used when connecting a riser cable to an overhead line. The SC series connectors are also used when terminating an insulated power cable with 3M terminations. SC series connectors are provided with a factory crimped and sealed, tin-plated copper stem for aerial line connection. A suggested accessory to the stem connector is the CP-1 Parallel Clamp that enables the connection of the stem connector to the overhead jumper wire.

Barrel Style	Standard Barrel
No. of Holes	N/A
Lug Base Metal	Aluminum
For use with	Aluminum or Copper Conductor



Order No.	UPC	Conductor Size (Stranded)	Conductor Size (Solid)	Stem Length	Stem Diameter	Min/Case Qty
SC0001	054007-14655	2 AWG, 1 AWG	1 AWG, 1/0 AWG	6.00" (152,4 mm)	0.25" (6,4 mm)	10
SC0002	054007-14648	4 AWG	2 AWG	6.00" (152,4 mm)	0.25" (6,4 mm)	10
SC0010	054007-14663	1/0 AWG	2/0 AWG	6.00" (152,4 mm)	0.25" (6,4 mm)	10
SC0020	054007-14671	2/0 AWG	3/0 AWG	6.00" (152,4 mm)	0.31" (7,9 mm)	10
SC0030	054007-14689	3/0 AWG	4/0 AWG	6.00" (152,4 mm)	0.31" (7,9 mm)	10
SC0040	054007-14697	4/0 AWG	N/A	6.00" (152,4 mm)	0.31" (7,9 mm)	10

## Lugs: Parallel Clamp

**3M™ Parallel Clamp CP-1, up to 35 kV**

The 3M™ Parallel Clamp CP-1 is used in aerial connections with the stem connectors SC series.

Lug Base Metal	Aluminum
For use with	Aluminum or Copper Conductor



Order No.	UPC	Product Name	Conductor Size	Min. Order Qty.	Case Qty.
CP-1	054007-12204	3M™ Parallel Clamp	6 AWG (Solid) – 2/0 AWG (Stranded) (14–60 mm²)	10	10

## Lugs: Aluminum Lugs for T-Bodies/Modular Splices

### 3M™ Aluminum One Hole Lugs for T-Bodies


The 3M™ Aluminum One Hole Lugs ML Series are designed to be used with the 3M™ 600 Amp T-Bodies 5815 Series fully shielded 600 Amp separable connector system which meets the requirements of ANSI/IEEE Standard 386 - "Separable Insulated Connector Systems." These modular kits are available for splicing, dead-ending and connecting to deadfront apparatus such as transformers, switches and switchgears equipped with 600 Amp bushings.

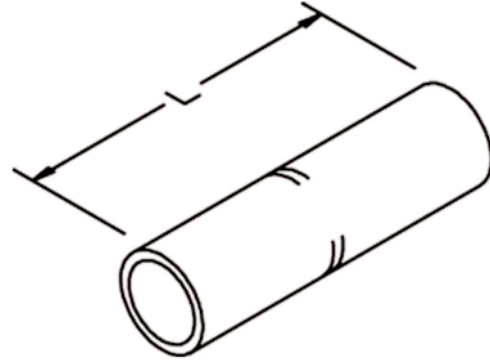
Barrel Type	Standard Barrel
No. of Holes	One Hole
Lug Base Metal	Aluminum
For use with	Aluminum or Copper Conductor

Order No.	UPC	Conductor Size	Min. Order Qty.	Case Qty.
ML-1AL	054007-43487	1 AWG	10	10
ML-2AL	054007-43486	2 AWG	10	10
ML-1/0AL	054007-43488	1/0 AWG	10	10
ML-2/0AL	054007-43489	2/0 AWG	10	10
ML-3/0AL	054007-43490	3/0 AWG	10	10
ML-4/0AL	054007-43491	4/0 AWG	10	10
ML-250AL	054007-43492	250 kcmil	10	10
ML-350AL	054007-43493	350 kcmil	10	10
ML-500AL	054007-43494	500 kcmil	10	10
ML-750AL	054007-43495	750 kcmil	3	3
ML-1000AL	054007-43496	1000 kcmil	3	10

## 3M™ Scotchlok™ Copper Connectors 10000 Series, Standard Barrel, up to 35 kV

The 3M™ Scotchlok™ Connectors 10000 Series are used on copper conductors only. They are constructed of one-piece, seamless high-conductivity copper with a standard barrel design and are electro tin-plated to resist electrolytic corrosion. (UL 486A Listed.)

Barrel Style	Standard Barrel
Connector Base Metal	Copper
For use with	Copper Conductor Only
Max. Voltage	35 kV
RoHS 2011/65/EU	Yes
Agency Approval	



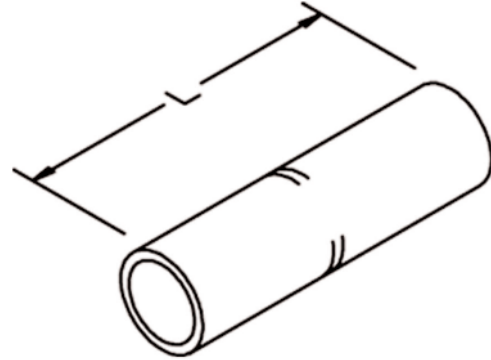
Order No.	UPC	Stranded Conductor Size	Color Code	Length	Inside Diameter (I.D.)	Outside Diameter (O.D.)	Min. Order Qty.	Case Qty.
10001	054007-12717	6 AWG	Blue	1.75" (44,4 mm)	0.20" (5,1 mm)	0.29" (7,4 mm)	50	50
10002	054007-12725	4 AWG	Gray	1.75" (44,4 mm)	0.25" (6,4 mm)	0.34" (8,6 mm)	50	50
10003	054007-12733	2 AWG	Brown	1.88" (47,7 mm)	0.31" (7,8 mm)	0.42" (10,6 mm)	25	25
10004	054007-12758	1 AWG	Green	1.88" (47,7 mm)	0.36" (9,1 mm)	0.46" (11,7 mm)	10	10
10005	054007-12766	1/0 AWG	Pink	1.88" (47,7 mm)	0.39" (10,0 mm)	0.51" (13,0 mm)	10	10
10006	054007-12774	2/0 AWG	Black	2.00" (50,8 mm)	0.44" (11,2 mm)	0.56" (14,2 mm)	10	10
10007	054007-12790	3/0 AWG	Orange	2.13" (54,0 mm)	0.49" (12,4 mm)	0.62" (15,7 mm)	10	10
10008	054007-12816	4/0 AWG	Purple	2.13" (54,0 mm)	0.55" (14,0 mm)	0.69" (17,4 mm)	10	10
10009	054007-12832	250 kcmil	Yellow	2.25" (57,2 mm)	0.60" (15,1 mm)	0.75" (19,1 mm)	3	3
10010	054007-12857	300 kcmil	White	2.25" (57,2 mm)	0.65" (16,5 mm)	0.81" (20,7 mm)	3	3
10011	054007-12873	350 kcmil	Red	2.38" (60,4 mm)	0.70" (17,8 mm)	0.88" (22,2 mm)	3	3
10014	054007-12899	500 kcmil	Brown	2.88" (73,2 mm)	0.84" (21,2 mm)	1.06" (27,0 mm)	3	3
10019	054007-12915	750 kcmil	Black	3.38" (85,8 mm)	1.03" (26,2 mm)	1.30" (33,0 mm)	3	3
10024	054007-12931	1000 kcmil	White	3.88" (98,5 mm)	1.17" (29,8 mm)	1.50" (38,1 mm)	3	3

## 3M™ Scotchlok™ Copper Connectors 11000 Series, Long Barrel, up to 35 kV

The 3M™ Scotchlok™ Connectors 11000 Series are used on copper conductors only. They are constructed of one-piece, seamless high-conductivity copper with a long barrel design and are electro tin-plated to resist electrolytic corrosion. (UL 486A Listed.)

Barrel Style Long Barrel  
 Connector Base Metal Copper  
 For use with Copper Conductor Only  
 Max. Voltage 35 kV  
 RoHS 2011/65/EU Yes


Agency Approval

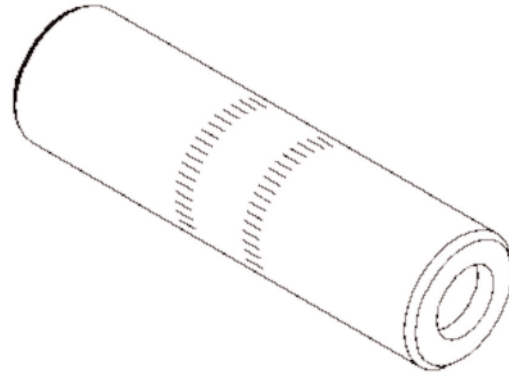


Order No.	UPC	Stranded Conductor Size	Color Code	Length	Inside Diameter (I.D.)	Outside Diameter (O.D.)	Min. Order Qty.	Case Qty.
11006	054007-12782	2/0 AWG	Black	3.13" (79,4 mm)	0.44" (11,2 mm)	0.56" (14,2 mm)	10	10
11007	054007-12808	3/0 AWG	Orange	3.13" (79,4 mm)	0.49" (12,4 mm)	0.62" (15,7 mm)	10	10
11008	054007-12824	4/0 AWG	Purple	3.38" (85,8 mm)	0.55" (13,9 mm)	0.69" (17,4 mm)	10	10
11009	054007-12840	250 kcmil	Yellow	3.38" (85,8 mm)	0.60" (15,1 mm)	0.75" (19,1 mm)	3	3
11010	054007-12865	300 kcmil	White	4.13" (104,8 mm)	0.65" (16,5 mm)	0.81" (20,7 mm)	3	3
11011	054007-12881	350 kcmil	Red	4.13" (104,8 mm)	0.70" (17,8 mm)	0.88" (22,2 mm)	3	3
11014	054007-12907	500 kcmil	Brown	4.63" (117,5 mm)	0.84" (21,3 mm)	1.06" (27,0 mm)	3	3
11019	054007-12923	750 kcmil	Black	5.88" (149,3 mm)	1.03" (26,2 mm)	1.30" (33,0 mm)	3	3
11024	054007-12949	1000 kcmil	White	6.13" (155,6 mm)	1.17" (29,8 mm)	1.50" (38,1 mm)	3	3

## 3M™ Scotchlok™ Aluminum Connectors 20000 Series (AL9CU) up to 35 kV

The 3M™ Scotchlok™ Connectors 20000 Series can be used with either copper or aluminum conductors. These aluminum connectors feature color coded end caps for identification. Contact aid provided in connector is compatible with poly/EPR insulations. Each connector is electro-tin plated to resist electrolytic corrosion, and have a solid center stop. (UL 486B Listed)

Barrel Style	Standard Barrel
Connector Base Metal	Aluminum
For use with	Aluminum or Copper Conductor
Max. Voltage	35 kV
RoHS 2011/65/EU	Yes
Agency Approval	



Order No.	UPC	Stranded Conductor Size	Color Code	Length	Inside Diameter (I.D.)	Outside Diameter (O.D.)	Min. Order Qty.	Case Qty.
20001	054007-13236	6 AWG	Gray	1.62" (41,1 mm)	0.20" (5,1 mm)	0.34" (8,8 mm)	50	50
20002	054007-13244	4 AWG	Green	2.12" (53,8 mm)	0.27" (6,7 mm)	0.48" (12,2 mm)	50	50
20003	054007-13251	2 AWG	Pink	2.00" (50,8 mm)	0.31" (7,8 mm)	0.53" (13,5 mm)	25	25
20004	054007-13269	1 AWG	Gold	2.00" (50,8 mm)	0.35" (8,9 mm)	0.53" (13,5 mm)	10	10
20005	054007-13277	1/0 AWG	Tan	2.12" (53,8 mm)	0.39" (9,9 mm)	0.64" (16,3 mm)	10	10
20006	054007-13285	2/0 AWG	Olive	2.31" (58,7 mm)	0.44" (11,2 mm)	0.69" (17,4 mm)	10	10
20007	054007-13293	3/0 AWG	Ruby	2.62" (66,5 mm)	0.48" (12,3 mm)	0.76" (19,3 mm)	10	10
20008	054007-13301	4/0 AWG	White	2.75" (69,9 mm)	0.54" (13,7 mm)	0.88" (22,2 mm)	10	10
20009	054007-13319	250 kcmil	Red	2.94" (74,7 mm)	0.59" (15,1 mm)	0.91" (23,0 mm)	3	3
20010	054007-13327	300 kcmil	Dark Blue	3.12" (79,2 mm)	0.65" (16,5 mm)	1.00" (25,4 mm)	3	3
20011	054007-13335	350 kcmil	Brown	3.38" (85,8 mm)	0.72" (18,3 mm)	1.12" (28,4 mm)	3	3
20012	054007-13343	400 kcmil	Green	3.75" (95,3 mm)	0.762" (19,4 mm)	1.18" (30,0 mm)	3	3
20014	054007-13350	500 kcmil	Pink	3.88" (98,6 mm)	0.843" (21,4 mm)	1.32" (33,5 mm)	3	3
20016	054007-13368	600 kcmil	Black	4.12" (104,6 mm)	0.92" (23,4 mm)	1.43" (36,3 mm)	3	3
20019	054007-13376	750 kcmil	Yellow	4.68" (118,8 mm)	1.03" (26,2 mm)	1.60" (40,6 mm)	3	3
20020	054007-13384	800 kcmil	Light Blue	4.75" (120,7 mm)	1.06" (26,9 mm)	1.65" (41,9 mm)	3	3
20024	054007-13392	1000 kcmil	Brown	5.25" (133,4 mm)	1.19" (30,3 mm)	1.84" (46,8 mm)	3	3

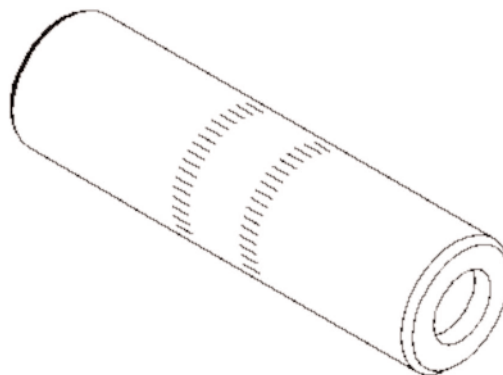


## Connectors: Compression Splice Connectors

### 3M™ Aluminum Connectors CI Series, up to 35 kV

The 3M™ Aluminum Connectors CI Series are for splicing applications on aluminum or copper cable conductors. The CI Series aluminum connectors are specially designed for use with 3M™ Pre-molded Power Cable Splice Bodies QS, QS-II and QS-III . Each connector is electro-tin plated to resist electrolytic corrosion, and have a solid center stop. These connectors meet the requirements of ANSI C119.4.

Barrel Style	Standard Barrel
Connector Base Metal	Aluminum
For use with	Aluminum or Copper Conductor
Max. Voltage	35 kV
Agency Approval	ANSI C119.4

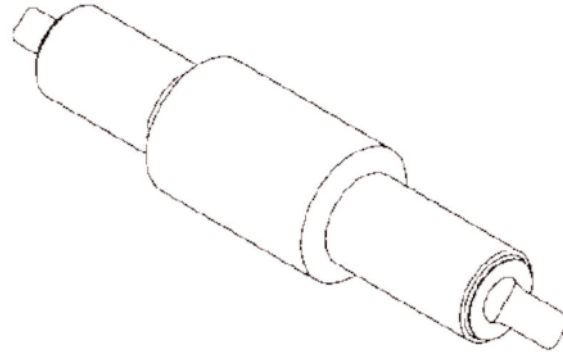


Order No.	UPC	Stranded Conductor Size	Solid Conductor Size	Compatible with	Length	Outside Diameter (O.D.)	Min. Order Qty.	Case Qty.
CI-1	054007-25628	1 AWG	N/A	Use with molded rubber splices 15 kV.	2.0" (50,8 mm)	0.64" (16,2 mm)	10	10
CI-2	054007-11651	2 AWG	1 AWG	Use with molded rubber splices 15 kV.	2.0" (50,8 mm)	0.64" (16,2 mm)	10	10
CI-21	054007-11856	2 AWG, 1 AWG	1 AWG, 1/0 AWG	Use with molded rubber splices 15 kV.	2.0" (50,8 mm)	0.64" (16,2 mm)	10	10
CI-21-840	054007-09136	2 AWG, 1 AWG	1 AWG, 1/0 AWG	Use with molded rubber splices 25 kV.	3.0" (76,2 mm)	0.91" (23,1 mm)	10	10
CI-22	054007-25636	4 AWG	2 AWG	Use with molded rubber splices 15 kV.	2.0" (50,8 mm)	0.64" (16,2 mm)	10	10
CI-1/0	054007-11867	1/0 AWG	N/A	Use with molded rubber splices 15 kV.	2.0" (50,8 mm)	0.64" (16,2 mm)	10	10
CI-1/0-840	054007-09137	1/0 AWG	N/A	Use with molded rubber splices 25 kV.	3.0" (76,2 mm)	0.91" (23,1 mm)	10	10
CI-2/0	054007-11875	2/0 AWG	N/A	Use with molded rubber splices 15 kV and 25 kV.	3.0" (76,2 mm)	0.91" (23,1 mm)	10	10
CI-3/0	054007-11883	3/0 AWG	N/A	Use with molded rubber splices 15 kV and 25 kV.	3.0" (76,2 mm)	0.91" (23,1 mm)	10	10
CI-4/0	054007-11891	4/0 AWG	N/A	Use with molded rubber splices 15 kV and 25 kV.	3.0" (76,2 mm)	0.91" (23,1 mm)	10	10
CI-250	054007-11909	250 kcmil	N/A	Use with molded rubber splices 15 kV and 25 kV.	3.75" (95,2 mm)	1.12" (28,4 mm)	10	10
CI-350	054007-11925	350 kcmil	N/A	Use with molded rubber splices 15 kV and 25 kV.	3.70" (94,0 mm)	1.12" (28,4 mm)	10	10
CI-450	054007-11933	500 kcmil (Compact)	N/A	Use with molded rubber splices 15 kV and 25 kV.	4.25" (107,9 mm)	1.32" (33,5 mm)	10	10
CI-500	054007-25644	500 kcmil	N/A	Use with molded rubber splices 15 kV and 25 kV.	4.25" (107,9 mm)	1.32" (33,5 mm)	10	10
CI-650	054007-11941	750 kcmil (Compact)	N/A	Use with molded rubber splices 15 kV and 25 kV.	4.66" (118,4 mm)	1.70" (43,0 mm)	10	10
CI-750	054007-25651	750 kcmil	N/A	Use with molded rubber splices 15 kV and 25 kV.	4.66" (118,4 mm)	1.59" (40,4 mm)	10	10

## 3M™ Aluminum Connectors CI-A Series, up to 35 kV

The 3M™ Connector CI-A series is used with the 3M™ Molded Rubber QS-II Inline Cable Splice 5420 and 5450 series as well as the 3M™ Molded Rubber QS-II Inline Cable Splice Kit 5461. Each connector is electro-tin plated to resist electrolytic corrosion.

Barrel Style	Standard Barrel
Connector Base Metal	Aluminum
For use with	Aluminum or Copper Conductor
Max. Voltage	35 kV



Order No.	UPC	Stranded Conductor Size	Solid Conductor Size	Compatible with	Outside Diameter (O.D.)	Min. Order Qty.	Case Qty.
CI-22A	054007-15868	N/A	2 AWG	5420 Series, 5461 splice kit, and 5450 Series	0.91" (23,1 mm)	10	10
CI-2A	054007-00721	2 AWG	1 AWG	5420 Series, 5461 splice kit, and 5450 Series	0.91" (23,1 mm)	10	10
CI-1A	054007-00722	1 AWG	1/0 AWG	5420 Series, 5461 splice kit, and 5450 Series	0.91" (23,1 mm)	10	10
CI-1/0A	054007-14176	1/0 AWG	N/A	5420 series, 5461 splice kit, and 5450 series	0.91" (23,1 mm)	10	10

## Connectors: Compression Splice Connectors

### 3M™ Scotchlok™ Connectors 2000T-CU, up to 35 kV

The 3M™ Scotchlok™ Connectors 2000T-CU Series are copper inline sleeves for use with copper conductor cables of the same size and are specifically designed for use with PILC power cable. They can be used on concentric, compressed, and compact stranded conductors. A rounding die is recommended to round out the sector shape of the connector when used with sector shaped conductors. The 2000T-CU connectors, like all 2000T series connectors, have a solid center oil stop and meet ANSI Standard C-119.4. They are designed for use with splice kits from the 3M™ Cold Shrink Splice Kit QS-2000T Series, the 3M™ Cold Shrink Splice Kit QS-2000-3T Series, the 3M™ Cold Shrink CS500Pb Series, and the Scotch® Tape Splice Kits 5700 Series.

Barrel Style	Standard Barrel
Connector Base Metal	Copper
For use with	Copper PILC Conductor
Max. Voltage	35 kV
Agency Approval	ANSI Standard C-119.4



Order No.	UPC	Stranded Conductor Size	Length	Outside Diameter (O.D.)	Min. Order Qty.	Case Qty.
2000T-2-CU	054007-42247	2 AWG	5.32" (135,1 mm)	0.700" (17,8 mm)	9	9
2000T-2/0-CU	054007-42250	2/0 AWG	5.32" (135,1 mm)	0.700" (17,8 mm)	3	3
2000T-4/0-CU	054007-42252	4/0 AWG	5.25" (133,3 mm)	0.880" (22,3 mm)	3	3
2000T-250-CU	054007-42253	250 kcmil	5.25" (133,3 mm)	0.880" (22,3 mm)	3	3
2000T-500-CU	054007-42258	500 kcmil	6.90" (175,3 mm)	1.125" (28,6 mm)	3	3
2000T-750-CU	054007-42263	750 kcmil	6.90" (175,3 mm)	1.300" (33,0 mm)	3	3

## 3M™ Scotchlok™ Reducer Series Connectors 2000T-CU/AL, up to 35 kV

The 3M™ Scotchlok™ Reducer Series Connectors 2000T-CU/AL are aluminum inline sleeves that are applicable for both aluminum and copper conductors and specifically designed for use with PILC power cable. The barrel inner diameters on each end are different, allowing the connection of different size conductors. These connectors can be used on concentric, compressed, and compact stranded conductors. A rounding die is recommended to round out the sector shape of the connector when used with sector shaped conductors. The 2000T Reducer Series connectors, like all 2000T series connectors, have a solid center oil stop and meet ANSI Standard C-119.4. They are designed for use with splice kits from the 3M™ Scotchlok™ 2000T Series, the 3M™ Scotchlok™ 2000-3T Series, the 3M™ Cold Shrink Splice Kits Selection CS500Pb Series, and the Scotch® Tape Splice Kits 5700 Series. Each connector is electro-tin plated to resist electrolytic corrosion.

<b>Barrel Style</b>	Standard Barrel
<b>Connector Base Metal</b>	Aluminum
<b>For use with</b>	Aluminum or Copper PILC Conductor
<b>Max. Voltage</b>	35 kV
<b>Agency Approval</b>	ANSI Standard C-119.4



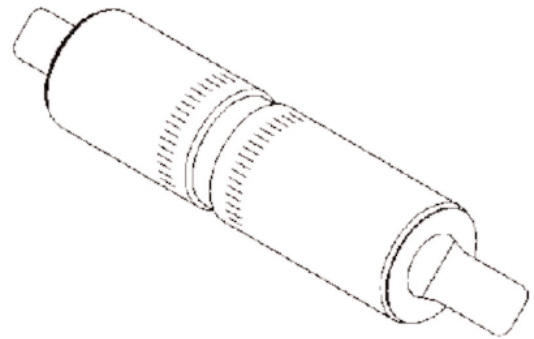
Order No.	UPC	Stranded Conductor Size	Length	Outside Diameter (O.D.)	Min. Order Qty.	Case Qty.
2000T 2-1/0 CU/AL	054007-42226	2-1/0 AWG	4.74" (120,4 mm)	0.640" (16,2 mm)	9	9
2000T 1/0-2/0 CU/AL	054007-42228	1/0-2/0 AWG	4.70" (119,4 mm)	0.910" (23,1 mm)	3	3
2000T 2/0-4/0 CU/AL	054007-42229	2/0-4/0 AWG	4.70" (119,4 mm)	0.910" (23,1 mm)	3	3
2000T 250-350 CU/AL	054007-42232	250-350 kcmil	4.70" (119,4 mm)	1.125" (28,6 mm)	3	3
2000T 350-500 CU/AL	054007-42234	350-500 kcmil	4.70" (119,4 mm)	1.320" (33,5 mm)	3	3
2000T 500-750 CU/AL	054007-42236	500-750 kcmil	6.25" (158,7 mm)	1.600" (40,6 mm)	3	3
2000T 500-1000 CU/AL	054007-42238	500-1000 kcmil	6.25" (158,7 mm)	1.625" (41,3 mm)	3	3
2000T 750-1000 CU/AL	054007-42243	750-1000 kcmil	6.25" (158,7 mm)	1.625" (41,3 mm)	3	3

## Connectors: Transition Splice Connectors

### 3M™ Aluminum Transition Connectors CI-T Series, up to 35 kV

3M™ CI-T Series Connectors are for splicing applications on aluminum or copper cable where two different conductor sizes need to be joined. The CI Series aluminum connectors are specially designed for use with 3M pre-molded power cable splice bodies. Each connector is electro-tin plated to resist electrolytic corrosion.

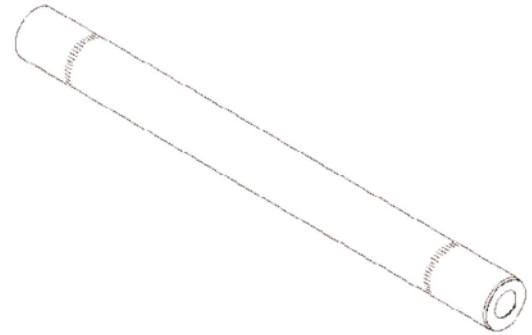
Barrel Style	Standard Barrel
Connector Base Metal	Aluminum
For use with	Aluminum or Copper Conductor
Max. Voltage	35 kV



Order No.	UPC	Conductor Size – Cable A – Stranded (Solid)	Conductor Size – Cable B – Stranded (Solid)	Outside Diameter (O.D.)	Compatible With	Min. Order Qty.	Case Qty.
CI-T-1	054007-11958	4 AWG (2 AWG)	1 AWG (1/0 AWG)	0.64" (16,2 mm)	3M™ Molded Rubber QS-II Cable Splice 5411 and 3M™ Molded Rubber QS-II Cable Splice 5501	10	10
CI-T-2	054007-11966	2 AWG (1 AWG)	1 AWG (1/0 AWG)	0.64" (16,2 mm)	3M™ Molded Rubber QS-II Cable Splice 5411 and 3M™ Molded Rubber QS-II Cable Splice 5501	10	10
CI-T-3	054007-11974	4 AWG (2 AWG)	1/0 AWG Stranded	0.64" (16,2 mm)	3M™ Molded Rubber QS-II Cable Splice 5411 and 3M™ Molded Rubber QS-II Cable Splice 5501	10	10
CI-T-4	054007-11982	2 AWG (1 AWG)	1/0 AWG Stranded	0.64" (16,2 mm)	3M™ Molded Rubber QS-II Cable Splice 5411 and 3M™ Molded Rubber QS-II Cable Splice 5501	10	10
CI-T-5	054007-11990	2 AWG (1 AWG)	4 AWG (2 AWG)	0.64" (16,2 mm)	3M™ Molded Rubber QS-II Cable Splice 5411 and 3M™ Molded Rubber QS-II Cable Splice 5501	10	10
CI-T-7	054007-41806	3/0 AWG Stranded	4/0 AWG Stranded	0.91" (23,1 mm)	3M™ Molded Rubber QS-II Cable Splice 5411 and 3M™ Molded Rubber QS-II Cable Splice 5501	10	10
CI-T-9	054007-44533	1 AWG (1/0 AWG)	1/0 AWG Stranded	0.64" (16,2 mm)	3M™ Molded Rubber QS-II Cable Splice 5411 and 3M™ Molded Rubber QS-II Cable Splice 5501	10	10

## 3M™ Aluminum Repair Connectors CIR Series

3M™ Aluminum Repair Connectors CIR Series are specially designed for use with 3M™ QS-II Repair Splice Kits. They are aluminum connectors for use on aluminum or copper cable conductors. When used with the appropriate splice kit, these connectors allow up to 6" (152 mm) of damaged cable conductor to be removed, virtually eliminating the need to splice in a new section of cable. CIR series connectors meet the requirements of ANSI C119.4. Each connector is electro-tin plated to resist electrolytic corrosion.



Connector Base Metal	Aluminum
For use with	Aluminum or Copper Conductor
Agency Approval	ANSI C119.4

Order No.	UPC	Conductor Size, Stranded	Conductor Size, Solid	Length	Outside Diameter (O.D.)	Compatible with	Case Qty.
CIR-2	054007-11966	2 AWG	-	8.0" (203,2 mm)	0.64" (16,2 mm)	5411R Splice Body	10
CIR-21	054007-09357	2 AWG, 1 AWG	1 AWG, 1/0 AWG	8.0" (203,2 mm)	0.64" (16,2 mm)	5411R Splice Body	10
CIR-21A	054007-50227	2 AWG, 1 AWG	1 AWG, 1/0 AWG	9.0" (228,6 mm)	0.91" (23,1 mm)	5451R Splice Body	10
CIR-22	054007-09356	4 AWG (220 mil insulation only)	2 AWG	8.0" (203,2 mm)	0.64" (16,2 mm)	5411R Splice Body	10
CIR-1/0	054007-09358	1/0 AWG	N/A	8.0" (203,2 mm)	0.64" (16,2 mm)	5411R Splice Body	10
CIR-1/0-840	054007-09137	1/0 AWG	N/A	9.0" (228,6 mm)	0.91" (23,1 mm)	5451R Splice Body	10
CIR-1/0A	054007-50226	1/0 AWG	2/0 AWG	9.0" (228,6 mm)	0.91" (23,1 mm)	5451R Splice Body	10
CIR-2/0	054007-41964	2/0 AWG (220 mil insulation only)	N/A	9.0" (228,6 mm)	0.91" (23,1 mm)	5412R Splice Body	10
CIR-3/0	054007-41965	3/0 AWG	-	9.0" (228,6 mm)	0.91" (23,1 mm)	5412R Splice Body	10
CIR-4/0	054007-50228	4/0 AWG	N/A	9.0" (228,6 mm)	0.91" (23,1 mm)	5412R Splice Body	10

## 3M™ Shearbolt Connector QCI Series

The 3M™ Shearbolt Connector QCI Series offer easy installation without crimp tools or dies and withstands the ANSI C119.4, Class 2 (partial tension) 40% pull out force required by IEEE-404. They connect copper and/or aluminum conductors.

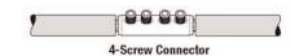
The bolts are designed to shear off just below the outer surface of the connector body to eliminate the need to file, whether you are connecting to American Wire Gauge conductors or metric conductors. These connectors can be used for applications up to 46 kV and can be packed in a kit with 3M™ QS-III Splices or purchased separately. Each connector is electro-tin plated to resist electrolytic corrosion and contain a center stop.

\* The 3M™ Splice Kits 5468A and 5536A are sized to cover 35 kV 350–1000 kcmil. Therefore, two shearbolt connectors are required to cover the range.

\*\* Installer should verify that both cables are within the Insulation O.D. Range of the splice kit before using any given QCI connector.

† No centering rings used with this connector.

Barrel Style	Shearbolt
Connector Base Metal	Aluminum
For use with	Copper or Aluminum Conductor
Max. Voltage	35 kV



Order No.	UPC	Stranded Conductor Size	Length w/ Centering Rings	Outside Diameter (O.D.)	3M Integrated Splice Kit QS-III-IJ Compatibility**	3M Standard Splice Kit QS-III Compatibility**	Min. Order Qty.	Case Qty.
QCI 2-250	051128-58537	2 AWG–250 kcmil	4.41" (112 mm)	1.10" (28 mm)	5415A-IJ, 5456A-IJ	5415A, 5456A, 5513A, 5524A	3	3
QCI 1/0-350	051128-58538	1/0 AWG–350 kcmil	5.12" (130 mm)	1.30" (33 mm)	5467A-IJ	5467A, 5535A	3	3
QCI 4/0-600	051128-58539	4/0 AWG–600 kcmil	5.75" (146 mm)	1.50" (38 mm)	5416A-IJ, 5457A-IJ	5416A, 5457A, 5514A, 5525A	1	1
QCI 350-750	051128-58540	350–750 kcmil	6.93" (176 mm)	1.65" (42 mm)	5417A-IJ, *5468A-IJ	5417A, *5468A, 5515A, *5536A	1	1
QCI 500-1000	051128-58541	500–1000 kcmil	7.83" (199 mm)	2.05" (52 mm)	5418A-IJ, 5458A-IJ, *5468A-IJ	5418A, 5458A, *5468A, 5516A, 5526A, *5536A	1	1
QCI 1000-1250†	051128-59488	1000–1250 kcmil	8.25" (210 mm)†	2.10" (53 mm)	–	–	1	1