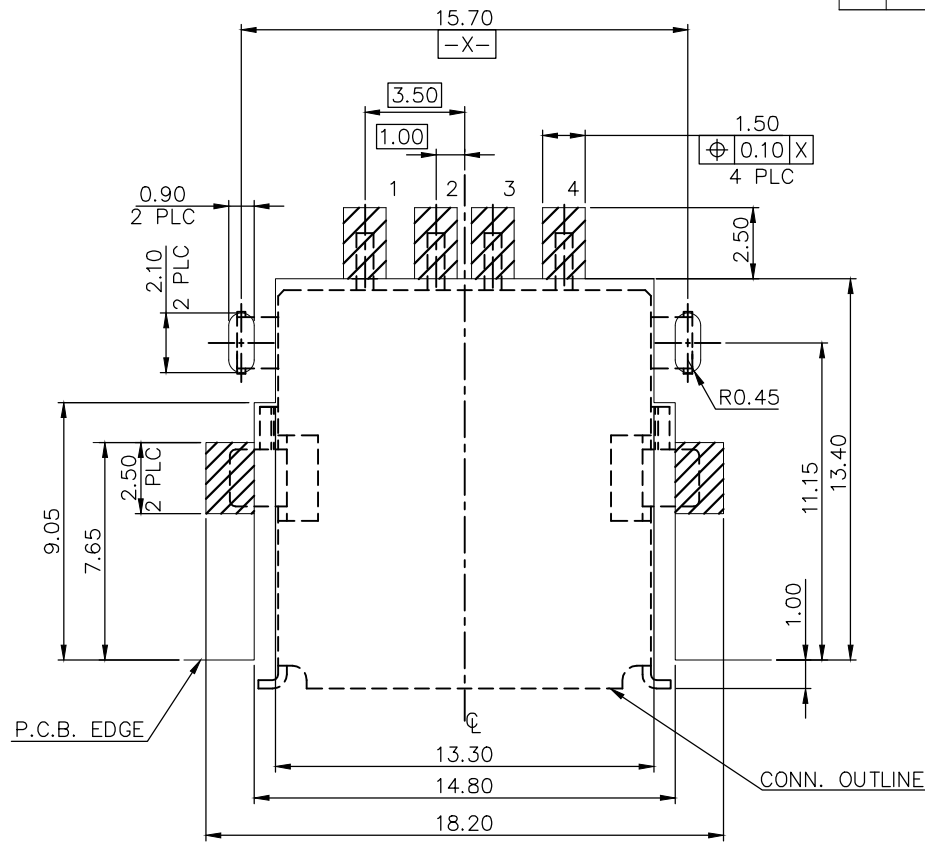
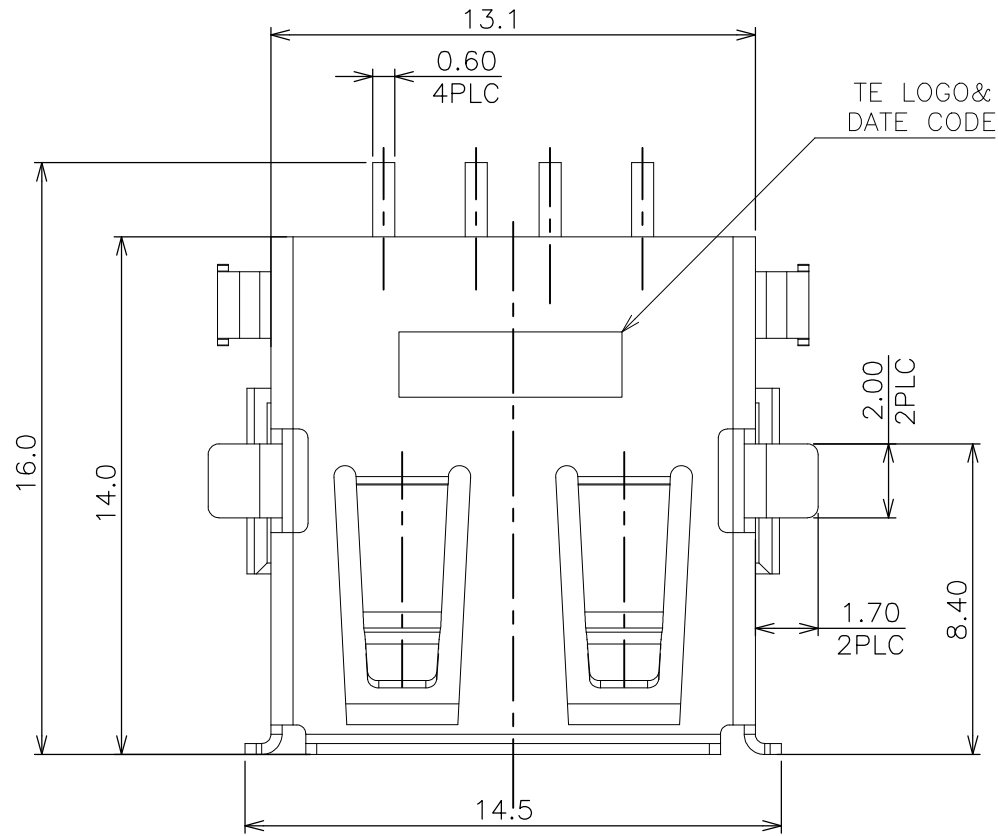


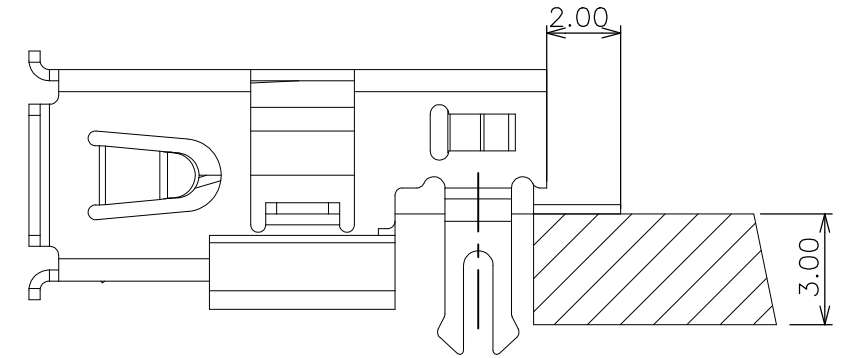
P	LTR	DESCRIPTION	DATE	DWN	APVD
B3		REVISED PER ECR-18-006778	18JUL2018	T.Z	S.L



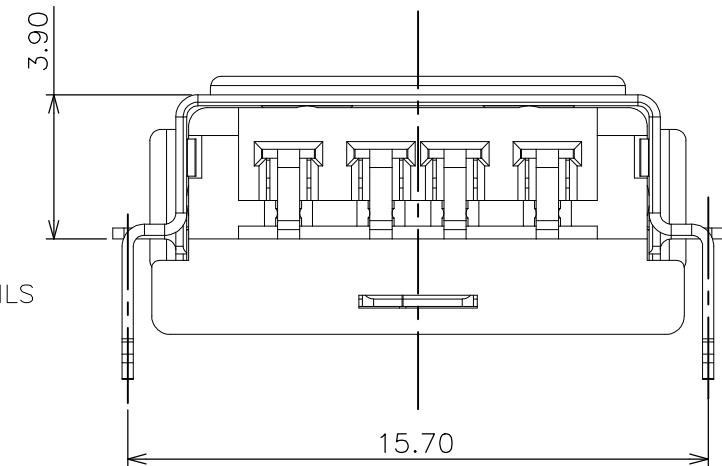
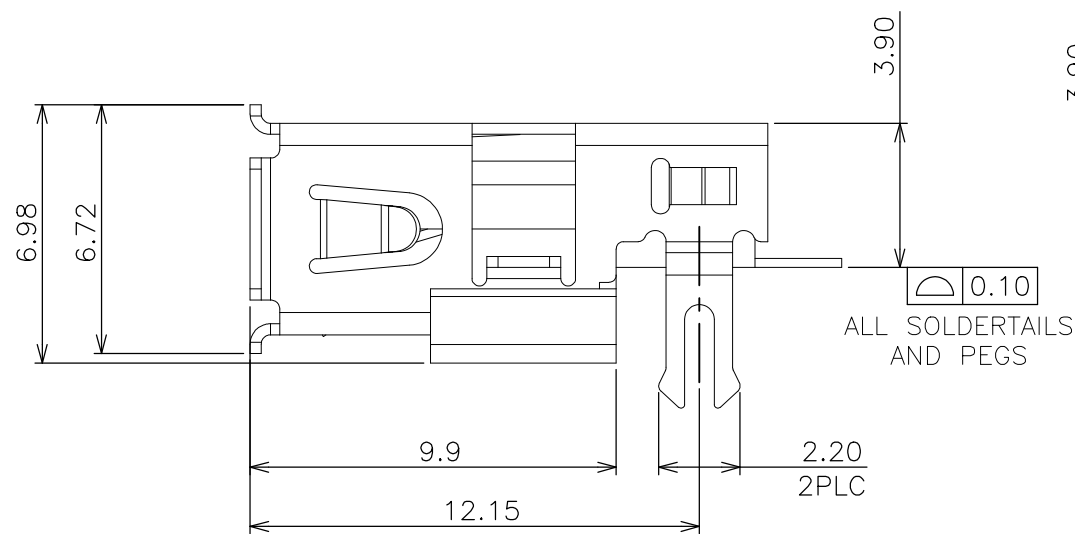
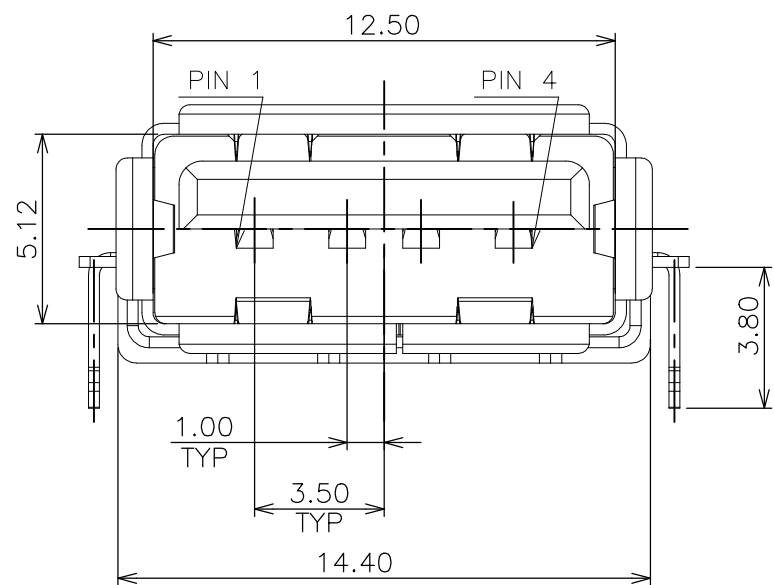
RECOMMEND P.C.B LAYOUT (THICKNESS=3.0mm)
(COMPONENT SIDE) TOLERANCE±0.05

NOTE:

- MATERIAL:
HOUSING: PA9T WITH 33%GF, UL 94V-0, BLACK COLOR.
CONTACT: PHOSPHOR BRONZE.
SHELL: BRASS.
- FINISH:
CONTACT: 0.762µm [30µ"] MIN. GOLD PLATING ON CONTACT AREA,
2.54µm [100µ"] MIN. BRIGHT TIN PLATING ON SOLDER TAILS,
1.27µm [50µ"] MIN. NICKEL UNDERPLATING OVERALL.
SHELL: 0.762µm [30µ"] MIN. NICKEL PLATING OVERALL.
- REFLOW SOLDER CAPABLE TO 260°C PER TE SPEC 109-201, CONDITION B.



RECOMMENDED MOUNT DIMENSION



THIS DRAWING IS A CONTROLLED DOCUMENT.

DWN TONY ZHU 16-JUL-2018

CHK SIMON LI 16-JUL-2018

APVD SIMON LI 16-JUL-2018

PRODUCT SPEC

108-57505

APPLICATION SPEC

WEIGHT 1.51

CUSTOMER DRAWING



TE Connectivity

NAME USB CONNECTOR, RECEPTACLE
4 POSITION, SERIES A

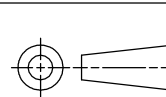
SIZE CAGE CODE DRAWING NO RESTRICTED TO

A3 00779 C-2041335 -

SCALE NA SHEET 1 OF 2 REV B3

DIMENSIONS:
mm

TOLERANCES UNLESS OTHERWISE SPECIFIED:



0 PLC	
1 PLC	±0.30
2 PLC	±0.20
3 PLC	
4 PLC	
ANGLES	±3°

MATERIAL SEE NOTE

FINISH SEE NOTE

4

3

2

1

THIS DRAWING IS UNPUBLISHED.

RELEASED FOR PUBLICATION

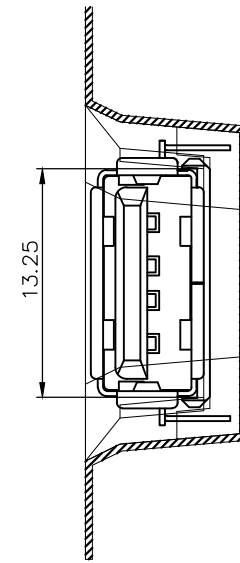
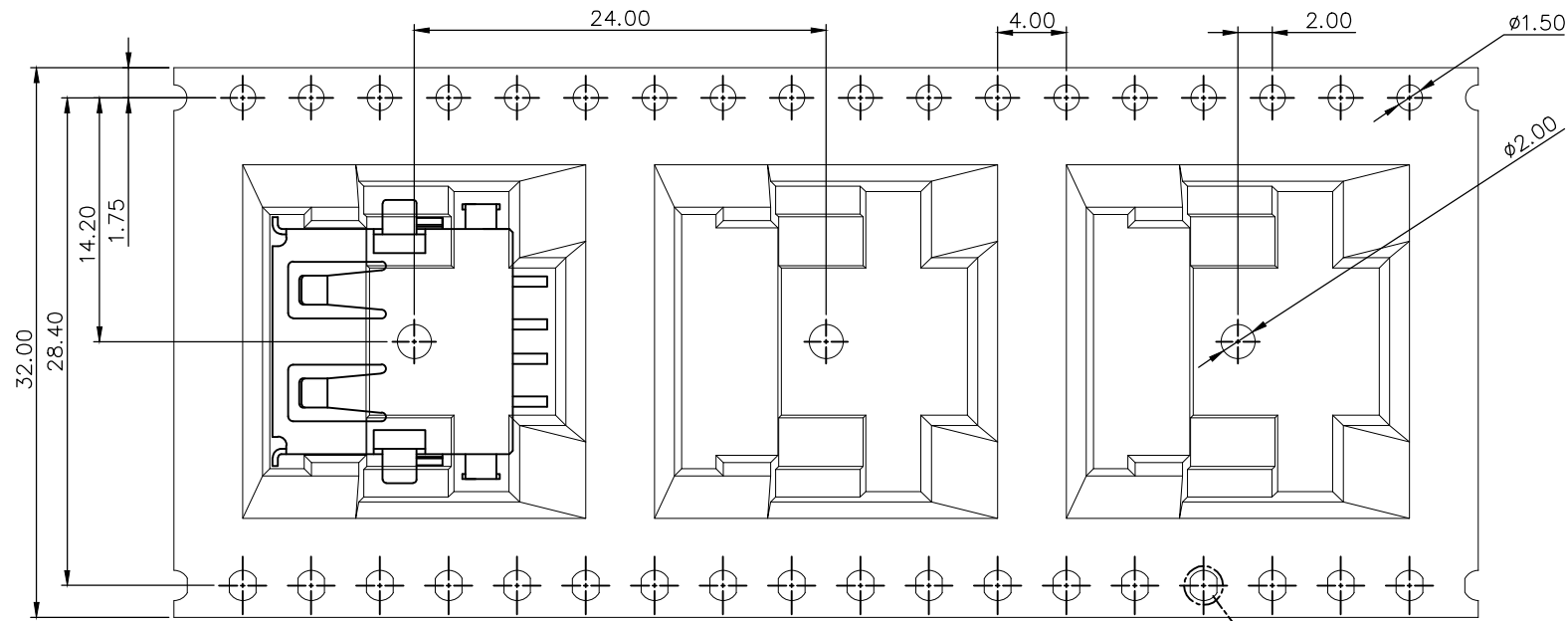
20

© COPYRIGHT 20 BY -

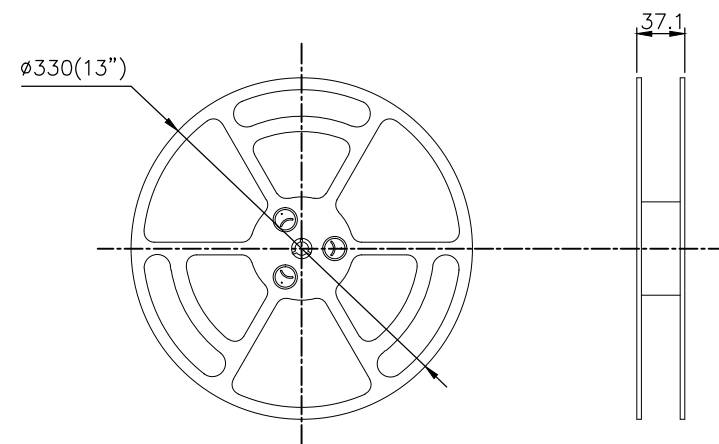
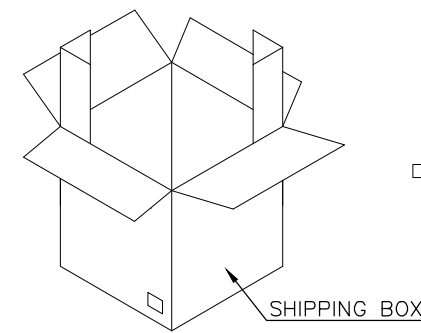
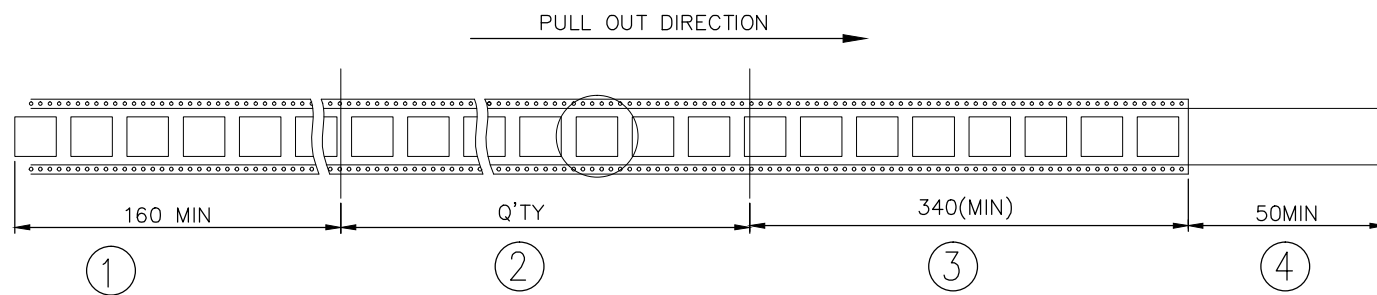
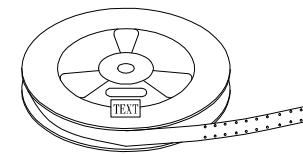
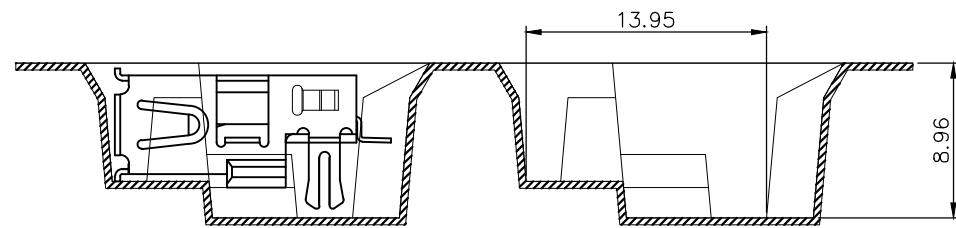
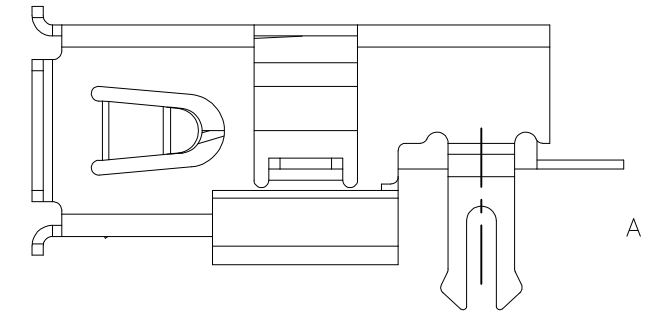
ALL RIGHTS RESERVED.

REVISIONS


P	LTR	DESCRIPTION	DATE	DWN	APVD
		SEE SHEET 1.			



NOTE:
 1. PEELING RESISTANCE : 10gf~130gf (for 12mm~56mm)
 2. PEELING SPEED : 300mm/MINUTES



8.50Kg	3.40Kg	250	9	2250 PCS	2041335-1
GROSS WEIGHT	NET WEIGHT	PCS/REEL	REELS/CARTON	QUANTITY	PART NUMBER

THIS DRAWING IS A CONTROLLED DOCUMENT.		DWN	 TE Connectivity		
DIMENSIONS: mm		CHK			
TOLERANCES UNLESS OTHERWISE SPECIFIED:		APVD	NAME		
0 PLC		PRODUCT SPEC	USB CONNECTOR,RECEPTACLE		
1 PLC		APPLICATION SPEC	4 POSITION,SERIES A		
2 PLC		WEIGHT	SIZE	CAGE CODE	DRAWING NO
3 PLC		CUSTOMER DRAWING	A3	00779	2041335
4 PLC			RESTRICTED TO	-	
ANGLES			SCALE	SHEET	REV
FINISH			NA	2 OF 2	B3