

F

E

D

C

B

A

F

E

D

C

B

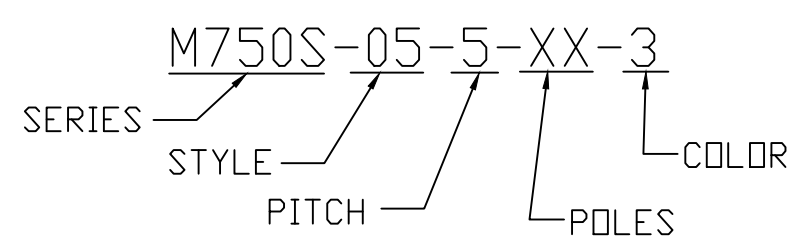
A

PART NUMBER DATA

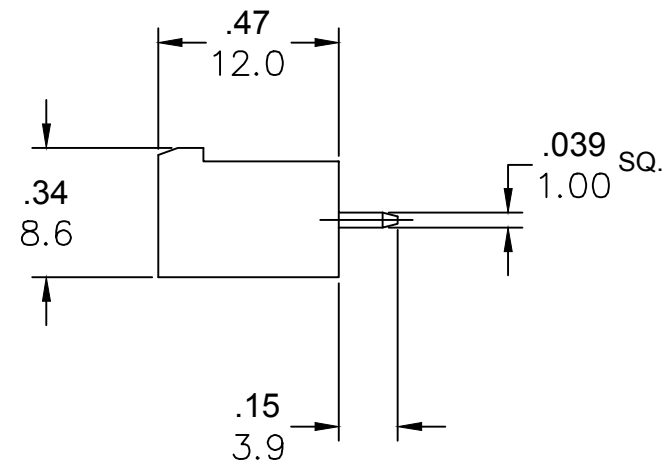
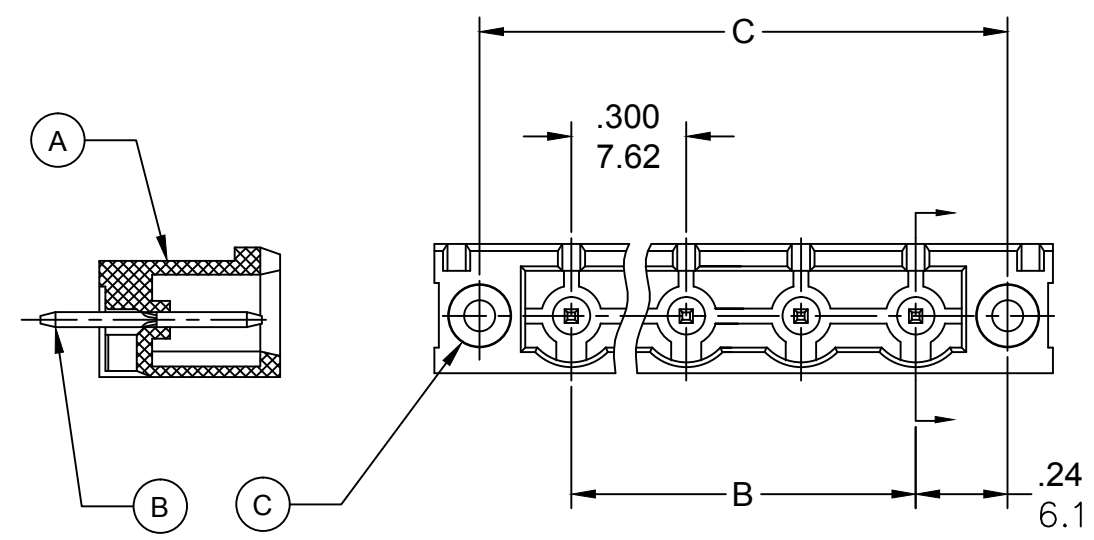
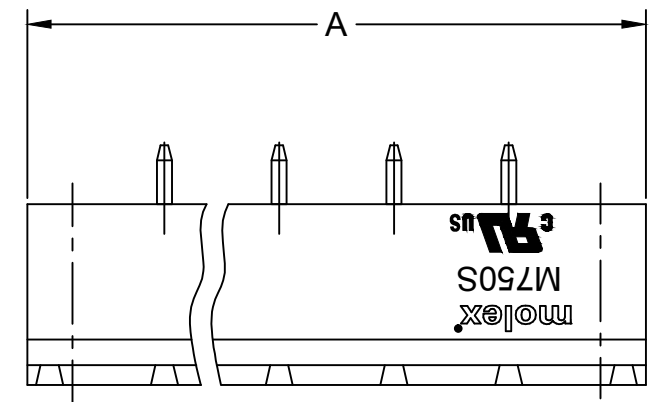
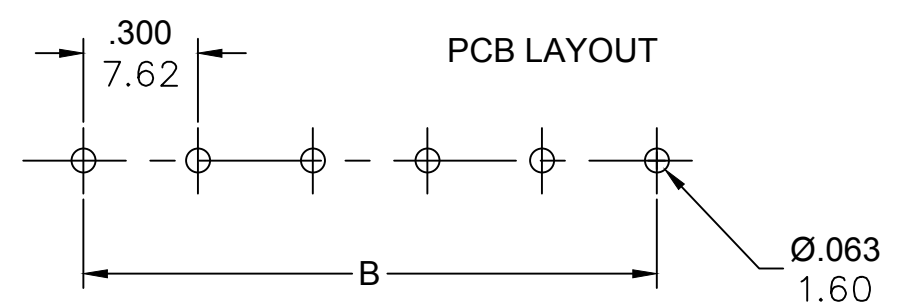
CIRCUITS	PART NUMBER	ENGINEERING NUMBER	COLOR	A IN mm		B IN mm		C IN mm	
				IN	MM	IN	MM	IN	MM
2	397260002	M750S-05-5-02-3	GREEN	1.32	33.4	.300	7.62	0.78	19.8
3	397260003	M750S-05-5-03-3	GREEN	1.62	41.1	.600	15.24	1.08	27.4
4	397260004	M750S-05-5-04-3	GREEN	1.92	48.7	.900	22.86	1.38	35.1
5	397260005	M750S-05-5-05-3	GREEN	2.22	56.3	1.200	30.48	1.68	42.7
6	397260006	M750S-05-5-06-3	GREEN	2.52	63.9	1.500	38.10	1.98	50.3
7	397260007	M750S-05-5-07-3	GREEN	2.82	71.5	1.800	45.72	2.28	57.9
8	397260008	M750S-05-5-08-3	GREEN	3.12	79.2	2.100	53.34	2.58	65.5
9	397260009	M750S-05-5-09-3	GREEN	3.42	86.8	2.400	60.96	2.88	73.1
10	397260010	M750S-05-5-10-3	GREEN	3.72	94.4	2.700	68.58	3.18	80.8
11	397260011	M750S-05-5-11-3	GREEN	4.02	102.0	3.000	76.20	3.48	88.4
12	397260012	M750S-05-5-12-3	GREEN	4.32	109.6	3.300	83.82	3.78	96.0

REF. LAST 2 DIGITS OF PART NUMBER EQUALS NUMBER OF POLES

ENGINEERING NUMBER LEGEND



CONTACT FACTORY FOR OPTIONAL COLORS



TOLERANCES			
MM	TOL	INCH	TOL
0-6	±0.25	0-.24	±.010
>6-30	±0.40	.24-1.18	±.016
>30-120	±0.50	1.18-4.76	±.020
>120	±0.80	>4.76	±.031

SPECIFICATIONS:

- MATERIAL:
 - A. BODY: PA66, UL94 V-0
 - B. TERMINAL: BRASS, TIN PLATED
 - C. THREADED INSERT: M2.5, BRASS
- RATING: 15A AT 51-150V, 10A AT 151 TO 300V
- OPERATING TEMPERATURE: -40°C + 105°C
- DIELECTRIC VOLTAGE WITHSTAND: AC 2500V FOR 1 MINUTE.
- INSULATION RESISTANCE: DC 500V, 500MΩ
- RATED IMPULSE VOLTAGE: 4000V, PLUS AND MINUS 5 TIMES EACH.
- MAX. SOLDERING TEMPERATURE: +260°C FOR 5 SEC.
- MATES WITH TERMINAL PLUG SERIES: 39705
- DIMS SHOWN ARE FOR REFERENCE ONLY

REVISED DOC TOL EC NO: IPG2017-0881 DRWN: ABENJAMI CHKD: --- APPR: BRUPERT 4/6/17 2014/10/16 DESCRIPTION REV	QUALITY SYMBOLS	GENERAL TOLERANCES (UNLESS SPECIFIED)	DIMENSION STYLE	SCALE	DESIGN UNITS	THIRD ANGLE PROJECTION	
	▽=0 ∇=0	mm INCH	IN/MM	---	METRIC		
		4 PLACES ±--- ±--- 3 PLACES ±--- ±--- 2 PLACES ±--- ±--- 1 PLACE ±--- ±---	DRAWN BY DATE RSTONE 2014/01/23	TITLE	7.62MM EURO HEADER VERTICAL WITH MOUNTING ENDS		
		ANGULAR ±---°	CHECKED BY DATE G. FARNS ---	MOLEX INCORPORATED			
	DRAFT WHERE APPLICABLE MUST REMAIN WITHIN DIMENSIONS	APPROVED BY DATE JFMURPHY 2014/10/16	MATERIAL NO.	DOCUMENT NO.	SHEET NO.		
		SEE CHART		SD-39726-001	1 OF 1		
		SIZE B	THIS DRAWING CONTAINS INFORMATION THAT IS PROPRIETARY TO MOLEX INCORPORATED AND SHOULD NOT BE USED WITHOUT WRITTEN PERMISSION				