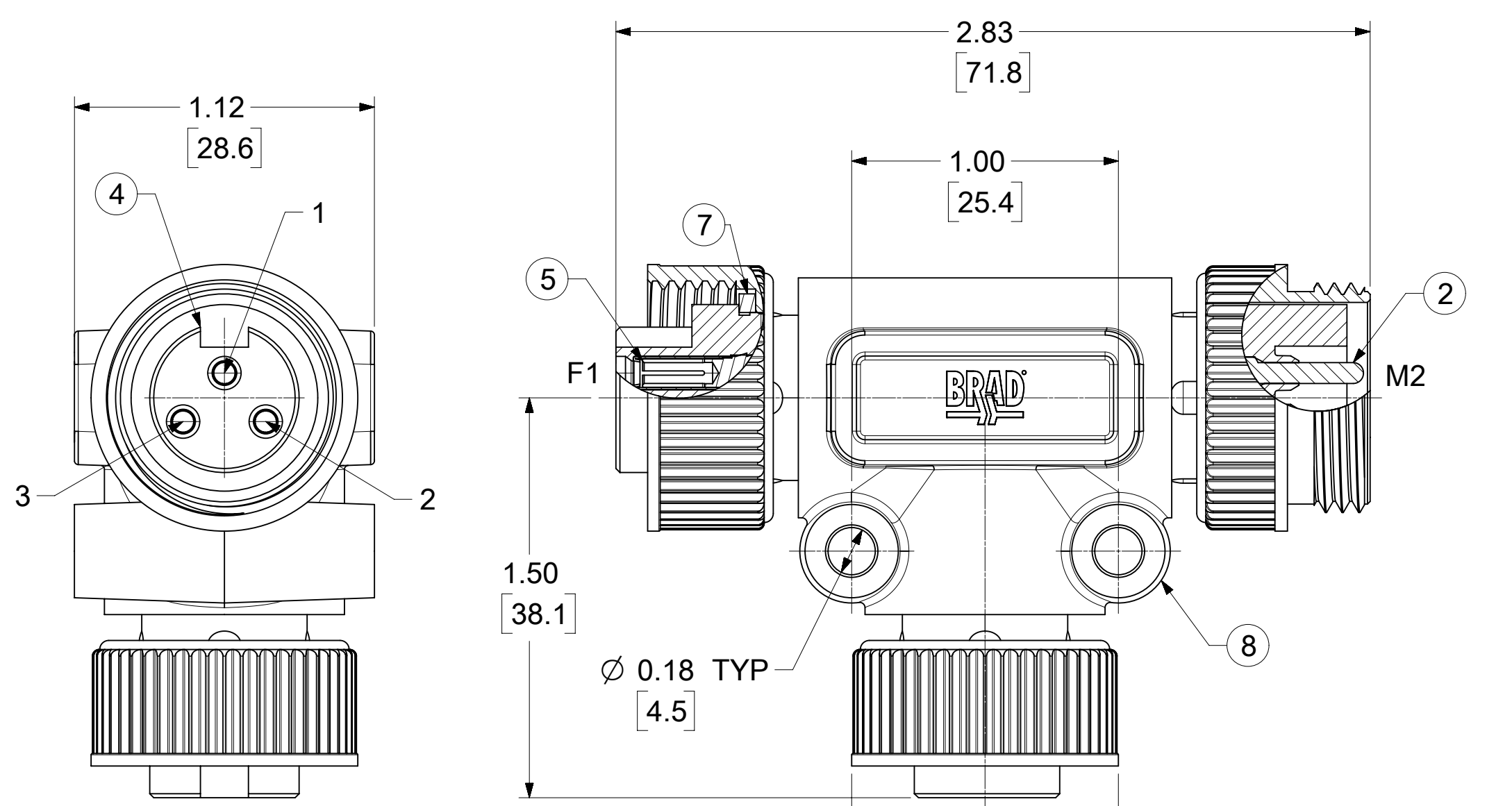
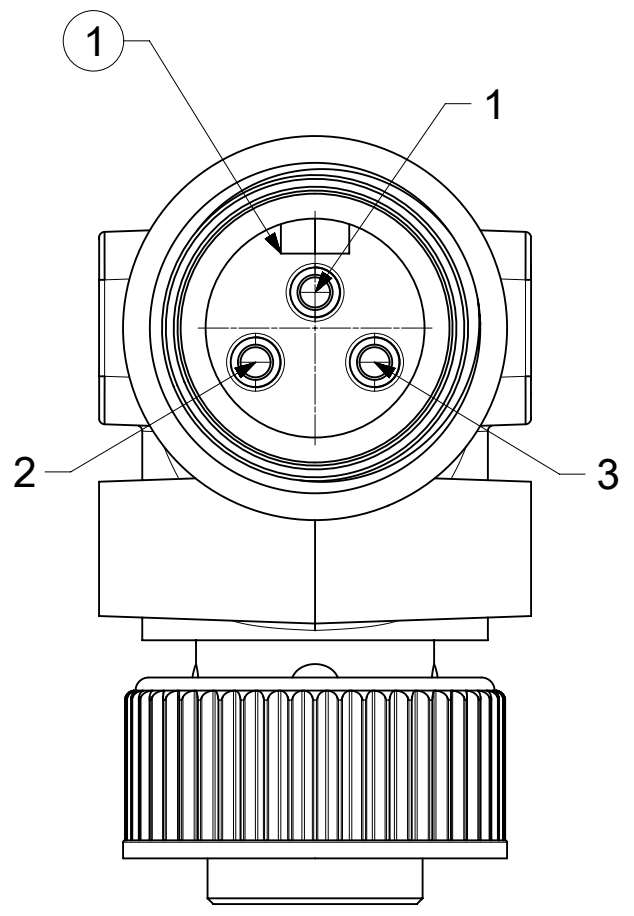


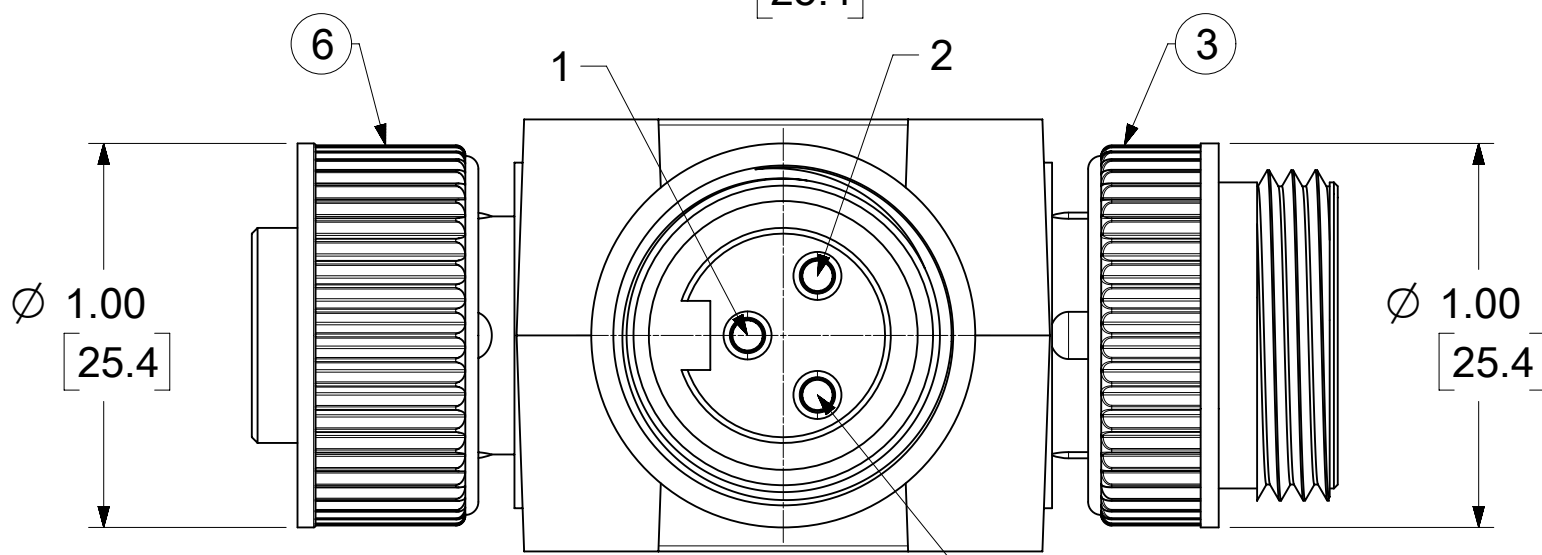
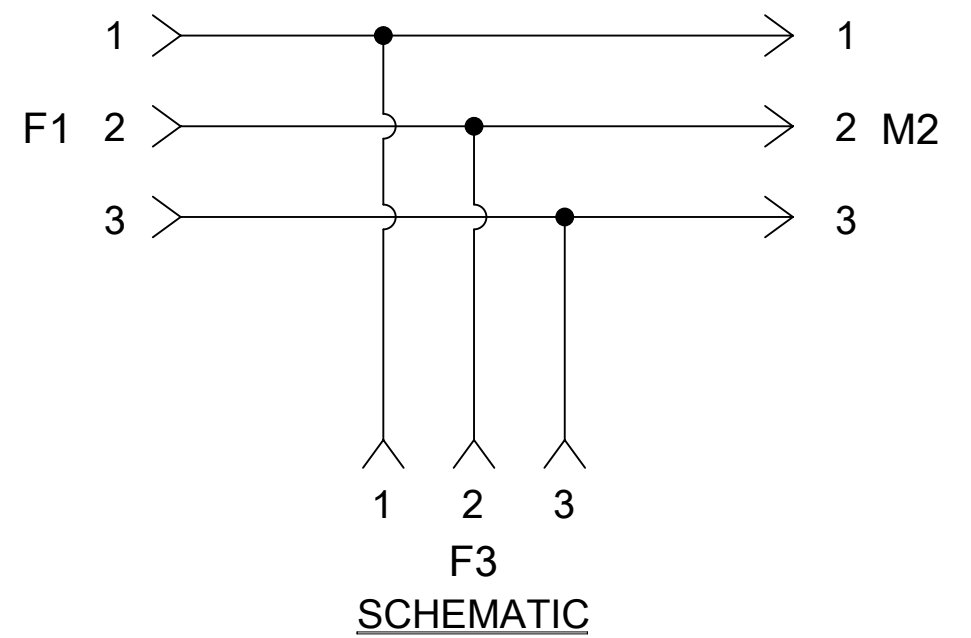
MATERIAL NO.	ENGINEERING NO.	OVERMOLD COLOR
1300180476	61056E	RED
1300180217	61056	YELLOW



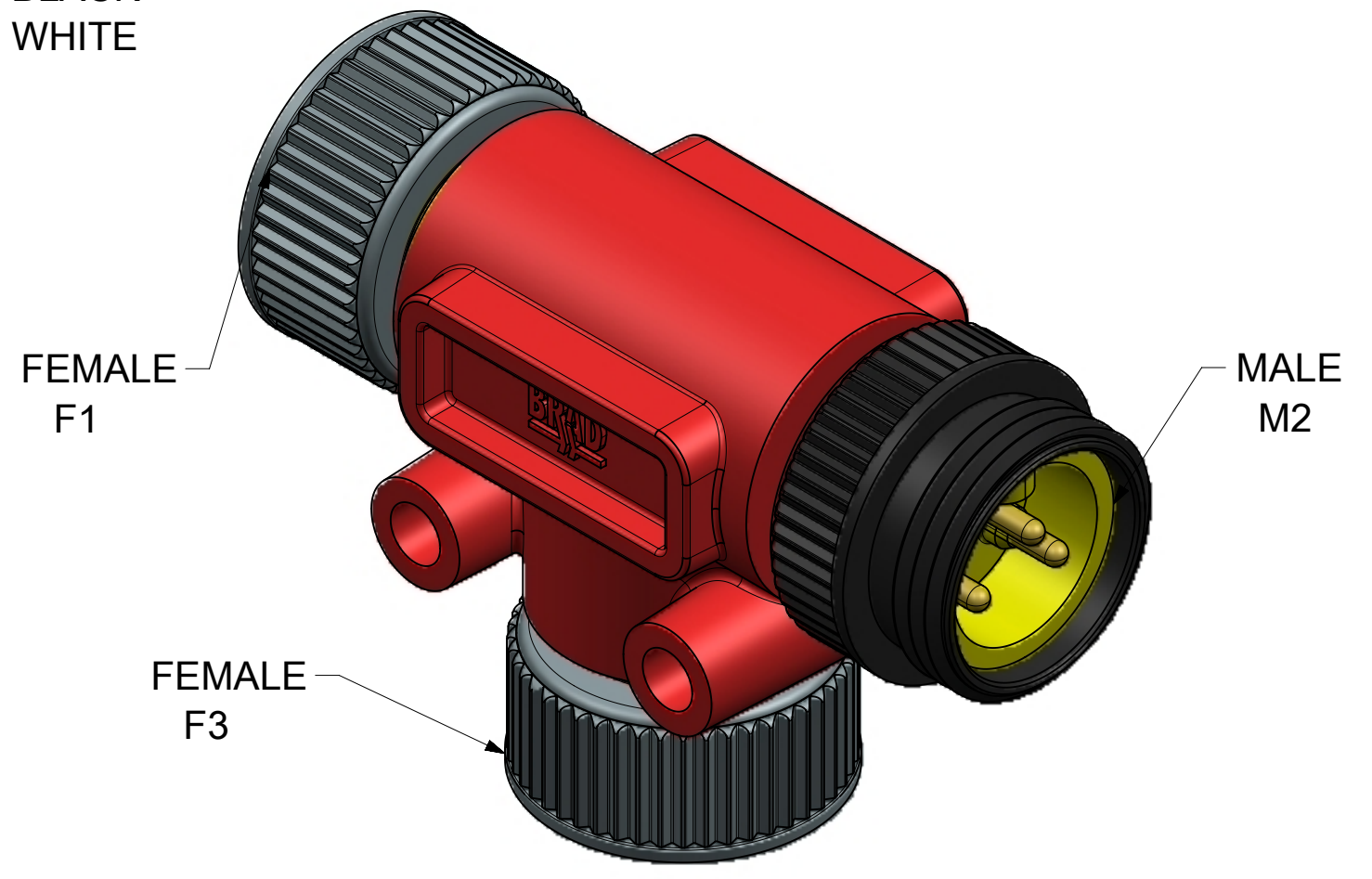
FEMALE FACE VIEW  
 1 - GREEN  
 2 - BLACK  
 3 - WHITE



MALE FACE VIEW  
 1 - GREEN  
 2 - BLACK  
 3 - WHITE



FEMALE FACE VIEW  
 1 - GREEN  
 2 - BLACK  
 3 - WHITE



- NOTES:  
 1. MATERIAL: AS NOTED  
 2. FINISH: AS NOTED  
 3. ELECTRICAL:  
 VOLTAGE; 600V AC/DC  
 CURRENT: 10A  
 4. TEMP RATING: -20°C TO +80°C  
 5. PROTECTION: IP67 (WHEN MATED)  
 6. COUPLING THREADS: 7/8"-16UN  
 7. ALL DIMS ARE FOR REFERENCE UNLESS NOTED OTHERWISE  
 8. UL APPROVAL: PENDING

ITEM	DESCRIPTION	MATERIAL	FINISH
8	OVERMOLD	TPE	SEE TABLE
7	FRICTION RING	NYLON	NATURAL
6	FEMALE COUPLER	ZINC DIE CAST	BLACK E-COAT
5	CONTACT SOCKET	COPPER ALLOY	GOLD PLATED
4	FEMALE INSERT (A-SIZE)	TPE	YELLOW
3	MALE COUPLER	ZINC DIE CAST	BLACK E-COAT
2	CONTACT PIN	COPPER ALLOY	GOLD PLATED
1	MALE INSERT (A-SIZE)	TPE	YELLOW
ITEM	DESCRIPTION	MATERIAL	FINISH

THIS DOCUMENT SUPERSEDES DOC# SD-130018-006 REV A

SYMBOLS	THIS DRAWING CONTAINS INFORMATION THAT IS PROPRIETARY TO MOLEX ELECTRONIC TECHNOLOGIES, LLC AND SHOULD NOT BE USED WITHOUT WRITTEN PERMISSION																															
▽ = 0	DIMENSION UNITS	SCALE																														
▽ = 0	HYBRID	2:1																														
▽ = 0	CURRENT REV DESC: UPDATE TO NX, ADD PN																															
▽ = 0	GENERAL TOLERANCES (UNLESS SPECIFIED)																															
▽ = 0	ANGULAR TOL	± °																														
▽ = 0	4 PLACES	±																														
▽ = 0	3 PLACES	±																														
▽ = 0	2 PLACES	±																														
▽ = 0	1 PLACE	±																														
▽ = 0	0 PLACES	±																														
▽ = 0	DRAFT WHERE APPLICABLE MUST REMAIN WITHIN DIMENSIONS																															
▽ = 0	THIRD ANGLE PROJECTION	DRAWING SERIES																														
▽ = 0	C-SIZE	130018																														
<table border="1"> <tr> <td colspan="3"> <p>EC NO: 620987</p> <p>DRWN: MZIELINSKI 2017/09/13</p> <p>CHK'D: MZIELINSKI 2019/07/19</p> <p>APPR: BWOODMAN 2019/07/19</p> </td> <td colspan="3"> <p>PRODUCT CUSTOMER DRAWING</p> </td> </tr> <tr> <td>DOCUMENT NUMBER</td> <td>DOC TYPE</td> <td>DOC PART</td> <td>REVISION</td> <td colspan="2"></td> </tr> <tr> <td>1300180476</td> <td>PSD</td> <td>000</td> <td>A</td> <td colspan="2"></td> </tr> <tr> <td>MATERIAL NUMBER</td> <td>CUSTOMER</td> <td colspan="2">SHEET NUMBER</td> <td colspan="2"></td> </tr> <tr> <td>SEE TABLE</td> <td></td> <td colspan="2">1 OF 1</td> <td colspan="2"></td> </tr> </table>			<p>EC NO: 620987</p> <p>DRWN: MZIELINSKI 2017/09/13</p> <p>CHK'D: MZIELINSKI 2019/07/19</p> <p>APPR: BWOODMAN 2019/07/19</p>			<p>PRODUCT CUSTOMER DRAWING</p>			DOCUMENT NUMBER	DOC TYPE	DOC PART	REVISION			1300180476	PSD	000	A			MATERIAL NUMBER	CUSTOMER	SHEET NUMBER				SEE TABLE		1 OF 1			
<p>EC NO: 620987</p> <p>DRWN: MZIELINSKI 2017/09/13</p> <p>CHK'D: MZIELINSKI 2019/07/19</p> <p>APPR: BWOODMAN 2019/07/19</p>			<p>PRODUCT CUSTOMER DRAWING</p>																													
DOCUMENT NUMBER	DOC TYPE	DOC PART	REVISION																													
1300180476	PSD	000	A																													
MATERIAL NUMBER	CUSTOMER	SHEET NUMBER																														
SEE TABLE		1 OF 1																														
<table border="1"> <tr> <td>DOCUMENT STATUS</td> <td>P1</td> <td>RELEASE DATE</td> <td>2019/07/19 21:36:22</td> </tr> </table>			DOCUMENT STATUS	P1	RELEASE DATE	2019/07/19 21:36:22																										
DOCUMENT STATUS	P1	RELEASE DATE	2019/07/19 21:36:22																													