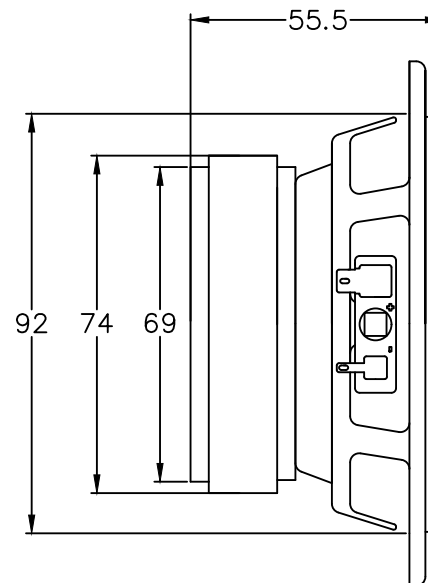
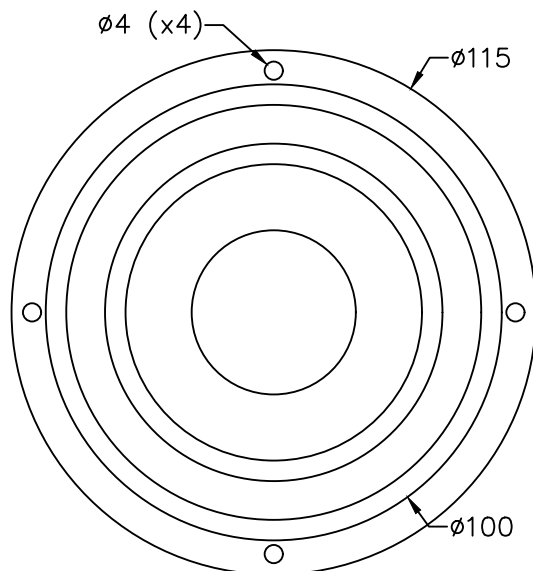


THIS DOCUMENT CONTAINS DATA PROPRIETARY TO PROJECTS UNLIMITED, INC. ANY USE OR REPRODUCTION, IN ANY FORM, WITHOUT PRIOR WRITTEN PERMISSION OF PROJECTS UNLIMITED, INC. IS PROHIBITED.
© 2005, Projects Unlimited Inc.

SPECIFICATIONS

PARAMETERS	VALUES	UNITS
RATED INPUT POWER	20	W
MAX INPUT POWER	40	W
IMPEDANCE	8±15%	OHM
OUTPUT SPL @ 2.83V/1M	84±2	dBA
RESONANT FREQUENCY	80±20%	Hz
FREQUENCY RANGE	80 ~ 15,000	Hz
FRAME MATERIAL	STAMPED STEEL	-
CONE MATERIAL	ALUMINUM	-
MAGNET MATERIAL	FERRITE	-
OPERATING TEMPERATURE	-20 ~ +60	°C
WEIGHT	640	grams


REVISIONS			
LTR	DESCRIPTION	DATE	APPROVED
-	RELEASED FROM ENGINEERING	8/5/16	



NOTES:

- ALL DIMENSIONS ARE IN MILLIMETERS.
- SPECIFICATION SUBJECT TO CHANGE OR WITHDRAWAL WITHOUT NOTICE.
- THIS PART IS RoHS 2011/65/EU COMPLIANT.
- QTS: 0.66, VAS: 2.45L, XMAX: 3.5MM

FILE NAME
AS11508AR-R.DWG

<small>UNLESS OTHERWISE SPECIFIED: ALL PURCHASES ARE SUBJECT TO THE PUI AUDIO TERMS AND CONDITIONS SALE FOUND AT http://www.puiaudio.com/pdf/terms_conditions.pdf (paper copy available upon request). DIMENSIONS ARE IN MILLIMETERS. TOLERANCES ARE ±0.5 AND ANGLES ARE ±3°.</small>		 <p>pui audio inc a projects unlimited company</p>	<p>3541 Stop Eight Road Dayton, Ohio 45414</p>						
<table border="1"> <thead> <tr> <th>APPROVALS</th> <th>DATE</th> </tr> </thead> <tbody> <tr> <td>DRAWN <i>M. V.</i></td> <td>3/16</td> </tr> <tr> <td>CHECKED <i>M. V.</i></td> <td>3/16</td> </tr> <tr> <td>APPROVED <i>B. R.</i></td> <td>3/16</td> </tr> </tbody> </table>	APPROVALS			DATE	DRAWN <i>M. V.</i>	3/16	CHECKED <i>M. V.</i>	3/16	APPROVED <i>B. R.</i>
APPROVALS	DATE								
DRAWN <i>M. V.</i>	3/16								
CHECKED <i>M. V.</i>	3/16								
APPROVED <i>B. R.</i>	3/16								
<p>SCALE: N.T.S.</p>		<p>SHEET 1 OF 1</p>							