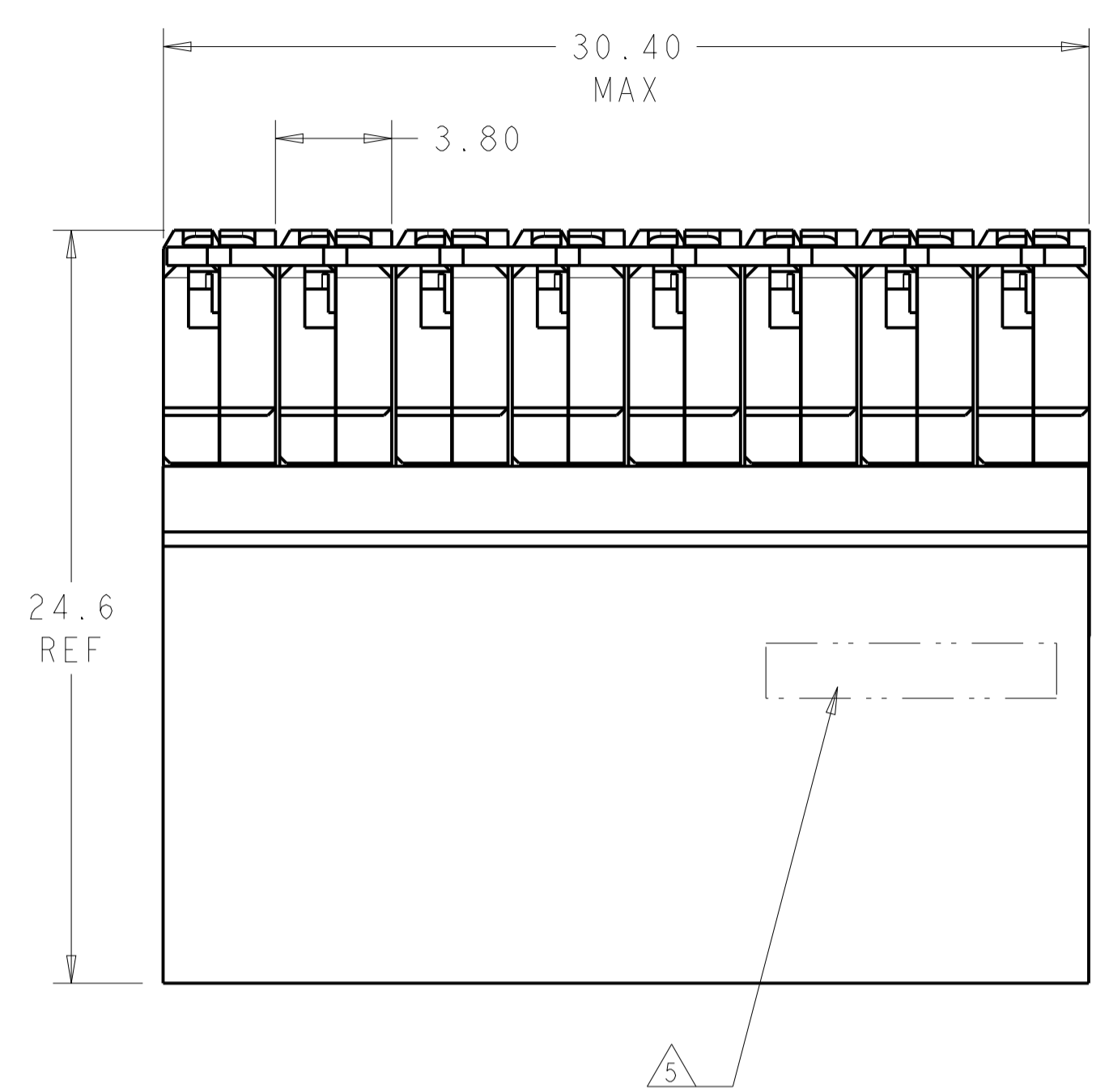
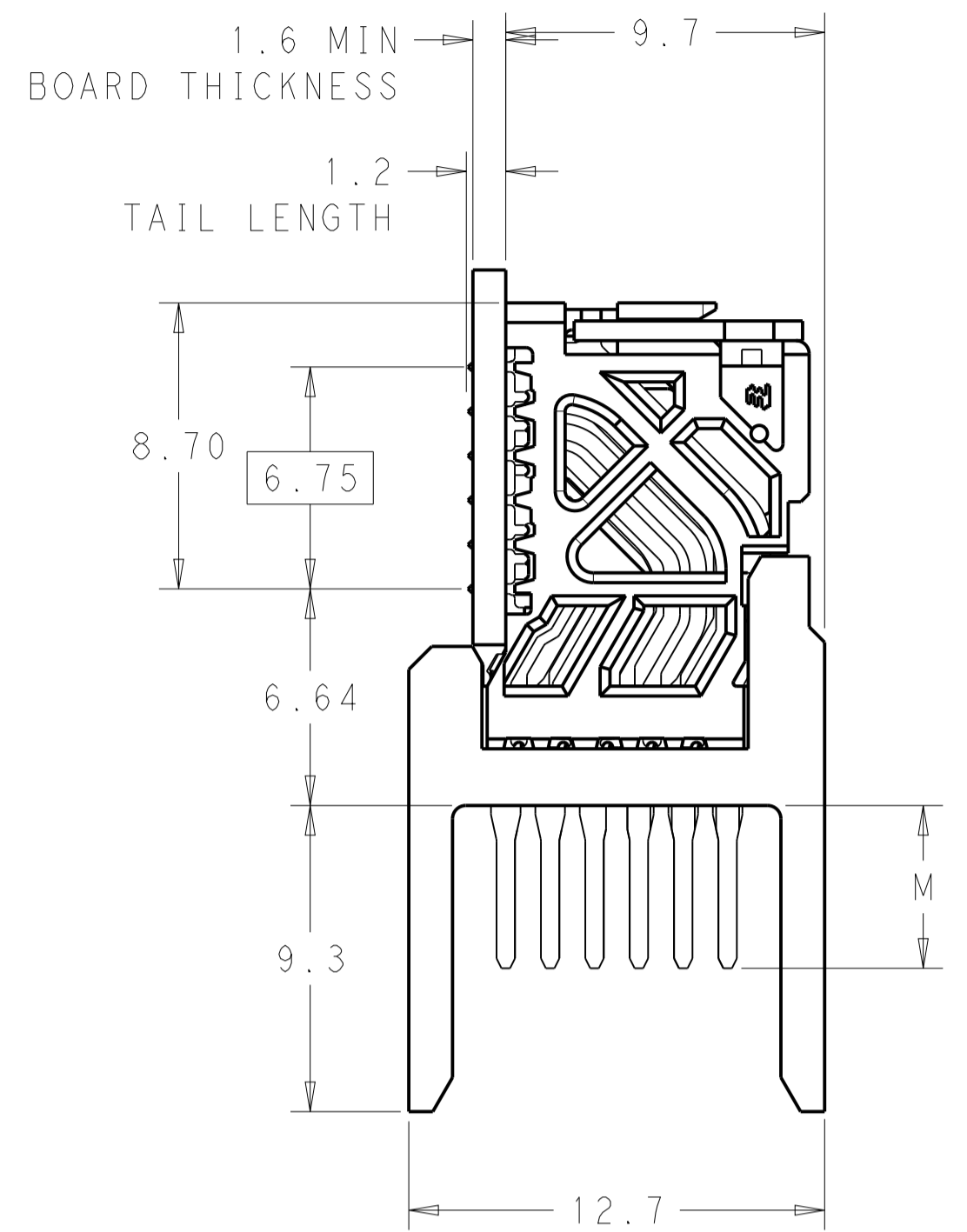
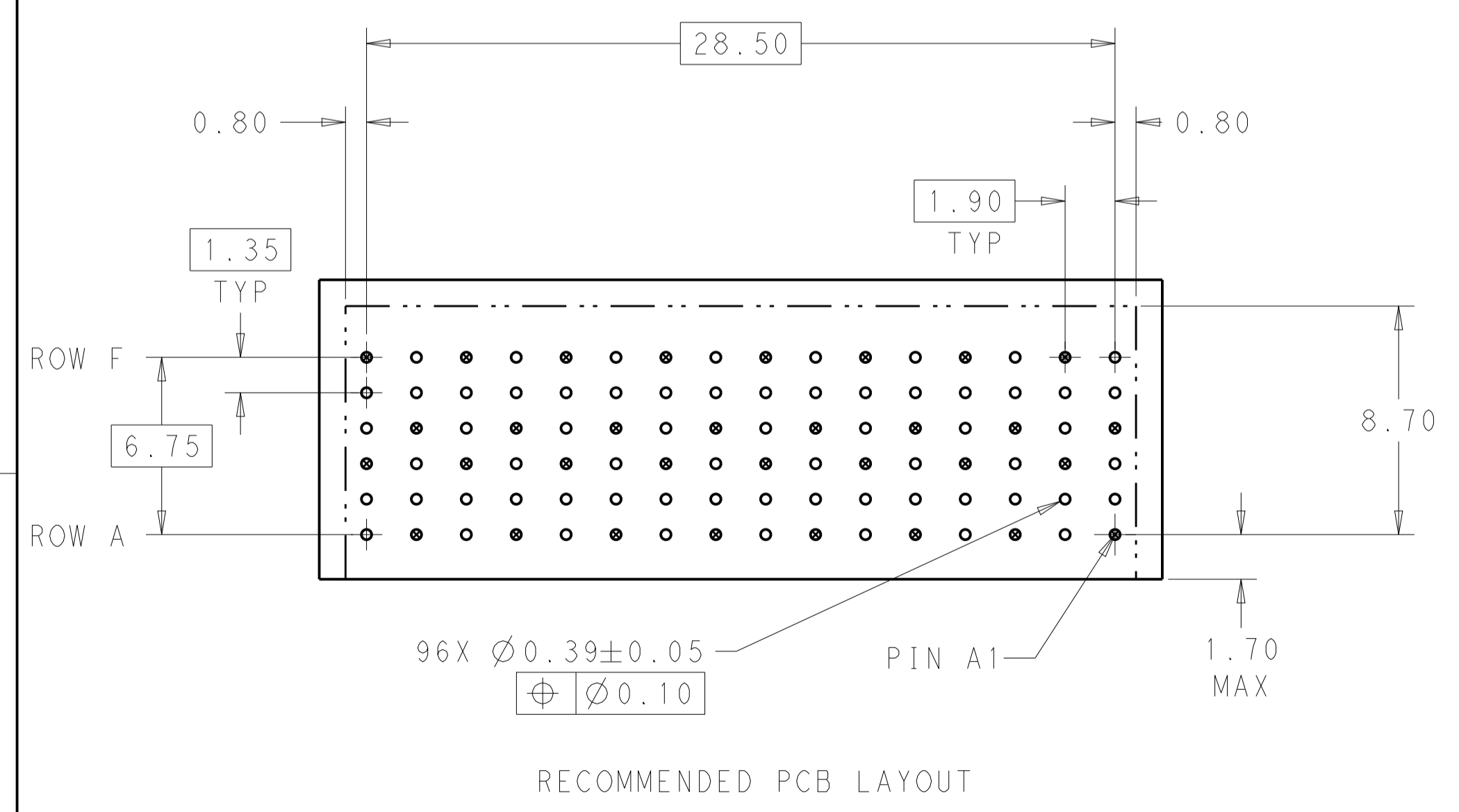
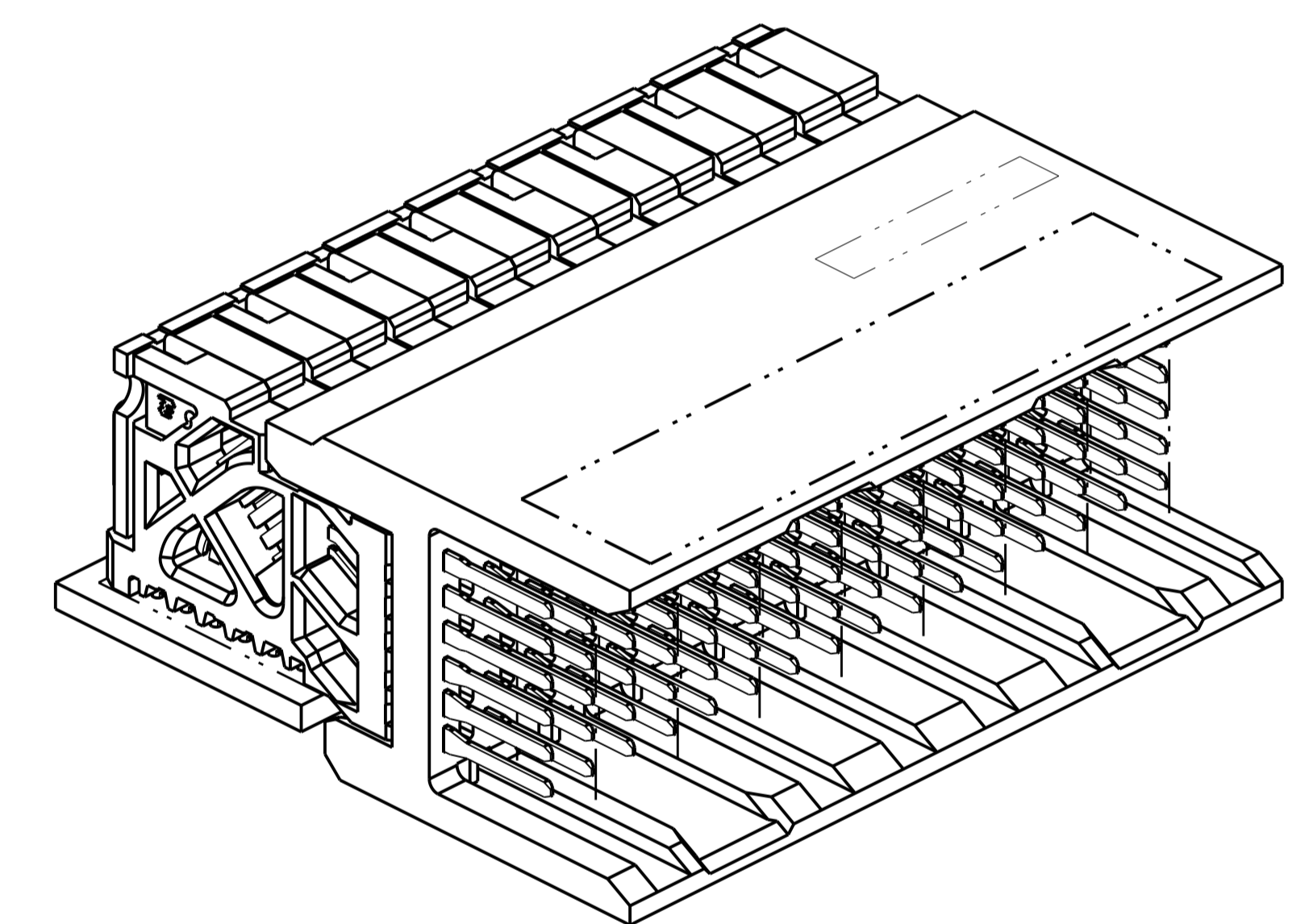
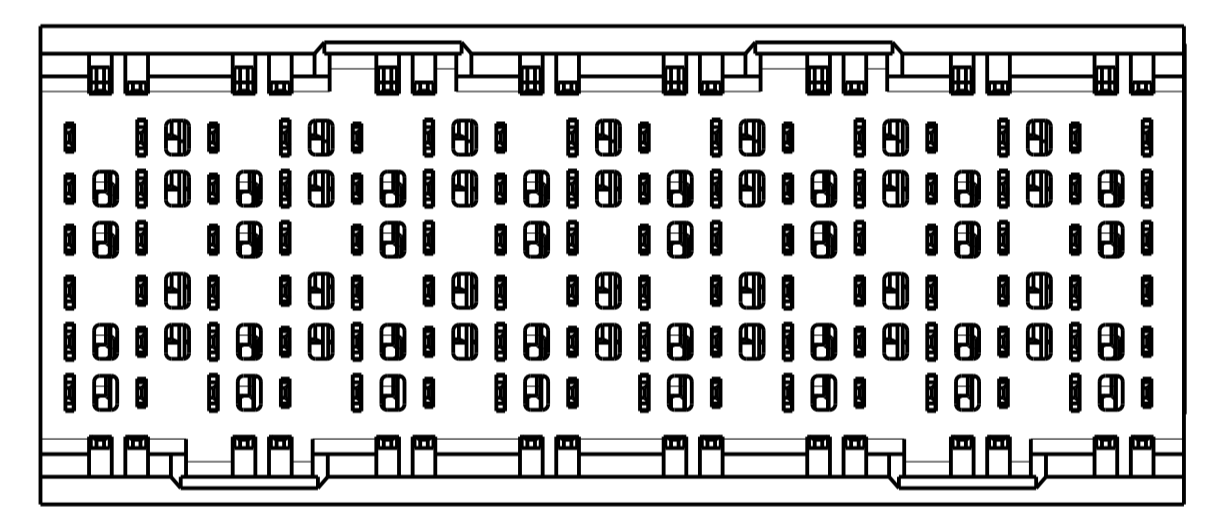


LOC		DIST		REVISIONS			
AD	00	REV	DATE	BY	CHK	APP	DATE
		C	21APR2014		AP	DD	

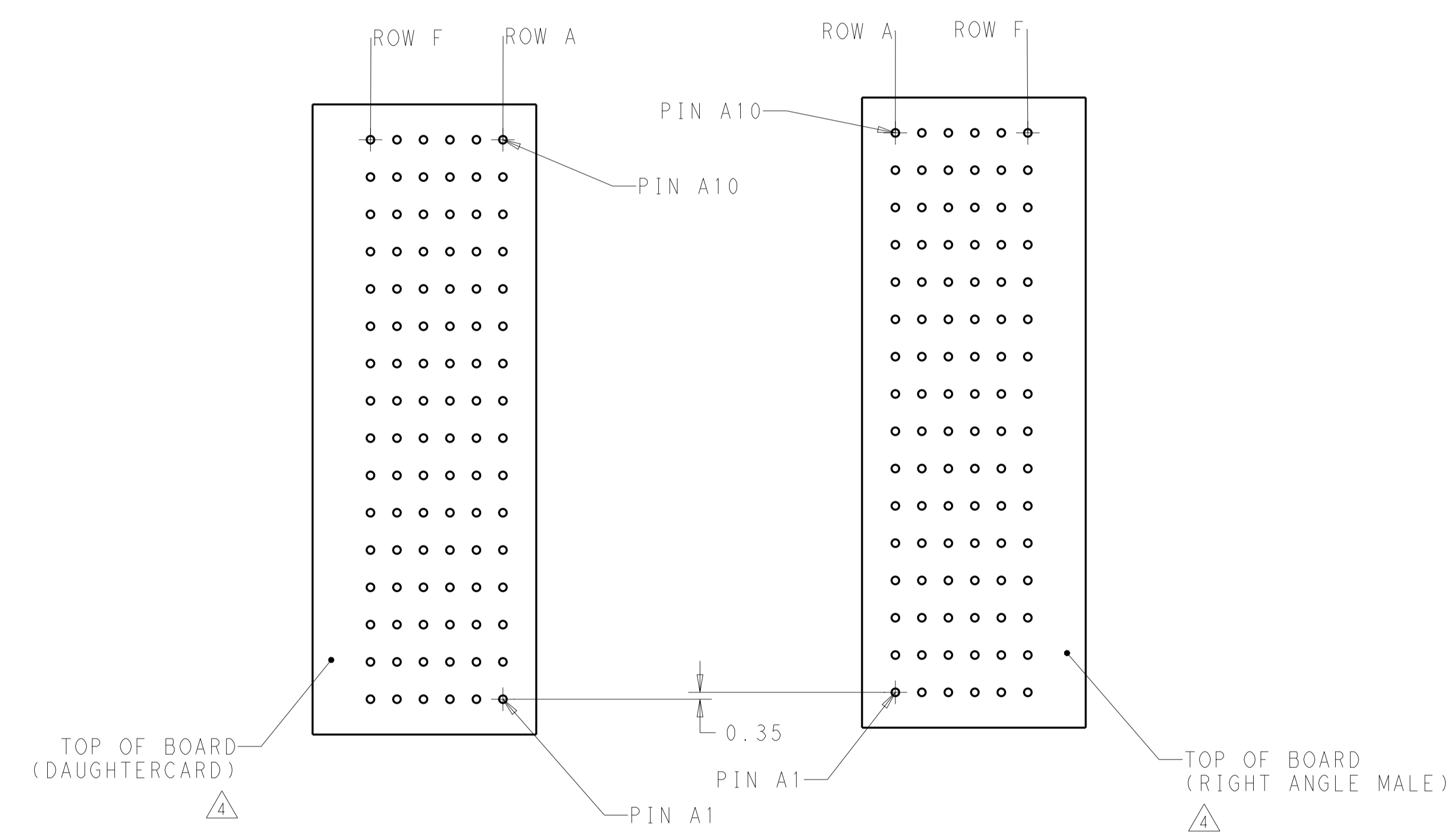


- 1 MATERIAL:
 HOUSING: LCP, GLASS FILLED, UL94V-0.
 TERMINALS: HIGH PERFORMANCE COPPER ALLOY.
- 2 FINISH:
 30µm SELECTIVE GOLD IN CONTACT AREA. SELECTIVE TIN ON PCB TAILS, NICKEL OVERALL.
- 3 FINISH:
 30µm SELECTIVE GOLD IN CONTACT AREA. SELECTIVE TIN-LEAD ON PCB TAILS, NICKEL OVERALL.
- 4 UNGUIDED RIGHT ANGLE MALE MATES TO UNGUIDED RIGHT ANGLE RECEPTACLE.
- 5 TE LOGO LOCATED IN APPROXIMATE LOCATION.

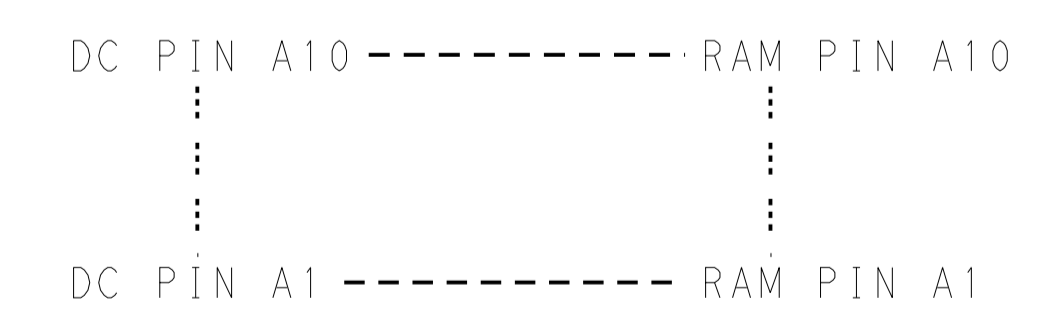


THIS DRAWING IS A CONTROLLED DOCUMENT.		DWN 07APR2011		NAME	
DIMENSIONS:		CHK 07APR2011		IMPACT, STD, RAM, 2 PAIR, 16 COLUMN, UNGUIDED OPEN END WALL SIGNAL MODULE, 0.39 EYELET	
mm		APVD J. EARY 07APR2011		PRODUCT SPEC	
0 PLC ± 1 PLC ±0.25 2 PLC ±0.13 3 PLC ± 4 PLC ± ANGLES ±		APPLICATION SPEC		SIZE CAGE CODE DRAWING NO	
MATERIAL		FINISH SEE TABLE	WEIGHT	A100779C=2143309	
		CUSTOMER DRAWING	SCALE 5:1	SHEET 1 OF 2	REV C

LOC		DIST		REVISIONS			
AD	00	REV	DATE	DESCRIPTION	DATE	DWN	APVD
-	-	-	-	SEE SHEET 1	-	-	-



COPLANAR MATED SIGNAL PATHS



	5.50	2143309-6
	4.90	2143309-5
	5.50	2143309-3
	4.90	2143309-2
FINISH	DIM M	PART NUMBER

REFER TO WWW.TE.COM FOR PRODUCT AVAILABILITY

THIS DRAWING IS A CONTROLLED DOCUMENT.		DWN 07APR2011	
DIMENSIONS: mm		CHK J. EARY 07APR2011	
TOLERANCES UNLESS OTHERWISE SPECIFIED:		APVD J. EARY 07APR2011	
0 PLC ± 1 PLC ±0.25 2 PLC ±0.13 3 PLC ± 4 PLC ± ANGLES ±		NAME: IMPACT, STD, RAM, 2 PAIR, 16 COLUMN, UNGUIDED OPEN END WALL SIGNAL MODULE, 0.39 EYELET	
MATERIAL	FINISH SEE TABLE	WEIGHT	SIZE CAGE CODE DRAWING NO. RESTRICTED TO
CUSTOMER DRAWING		SCALE 5:1	SHEET 2 OF 2 REV C