



A-MP★ EXTRACTION TOOL 91038-3
FOR TYPE XI
PIN AND SOCKET CONTACTS

| | |
|----------------|---------|
| IS 7357 | |
| RELEASED | 8-1-68 |
| REVISED | 8-28-70 |

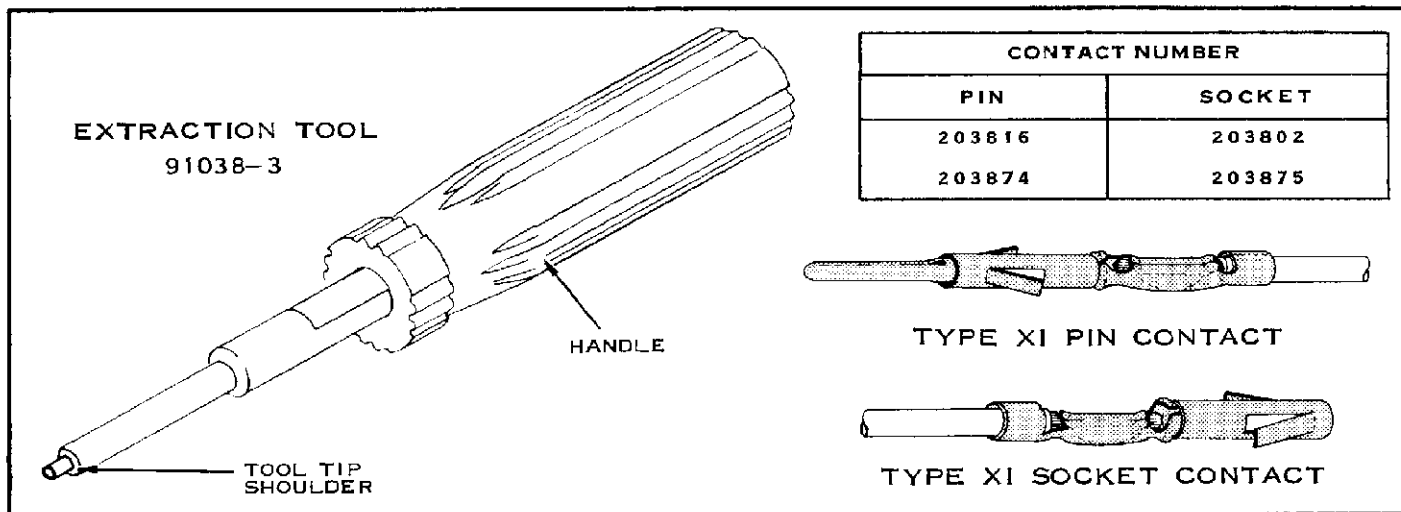


FIGURE 1

1. INTRODUCTION

The A-MP Extraction Tool 91038-3 is designed to remove the Type XI Pin and Socket Contacts shown in Figure 1 from AMP-INCERT★ Rack and Panel Connectors.

2. EXTRACTION PROCEDURE

CAUTION

The Shoulder of the Tool Tip must bottom on the face of the connector BEFORE the tool handle is depressed.

A. Extract Pin Contacts as follows:

1. Position the Pin in the hollowed portion of the tool tip. Then push the Tip straight in until the

Shoulder bottoms on the face of the connector as shown in Figure 2.

2. Depress the spring-loaded handle and the pin will back out of the connector cavity.

B. Extract Socket Contacts as follows:

1. Align the tool so that the contact will enter the hollowed portion of the tip.
2. Push the Tip straight into the cavity until the Shoulder bottoms on the face of the connector as shown in Figure 3.
3. Depress the spring-loaded handle and the socket will back out of the cavity.

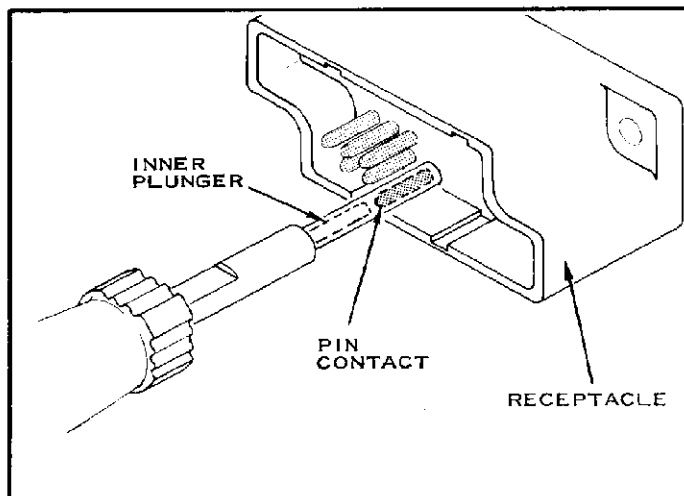


FIGURE 2

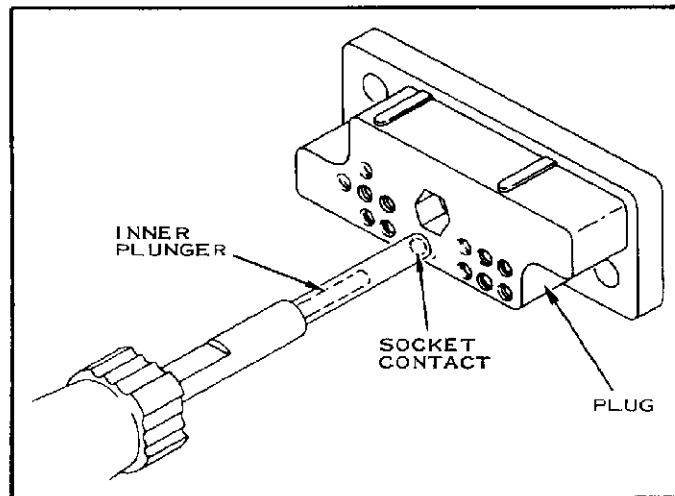


FIGURE 3

© 1968 - 1970 by AMP Incorporated. All International Rights reserved. A-MP products covered by U.S. and foreign patents and/or patents pending.