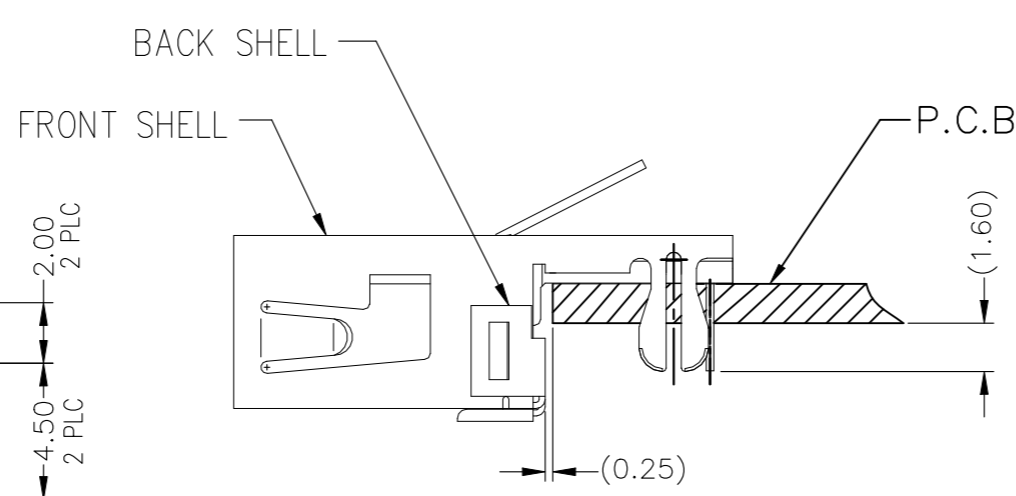
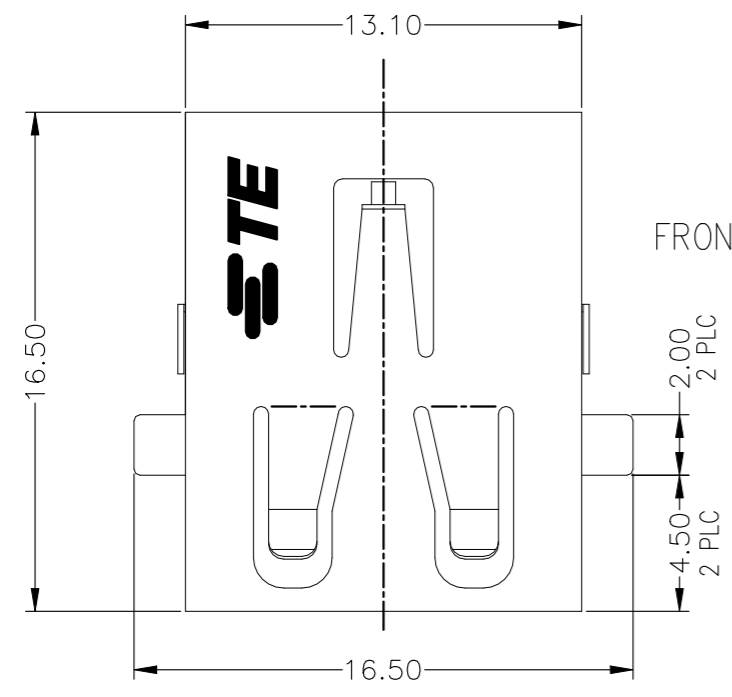
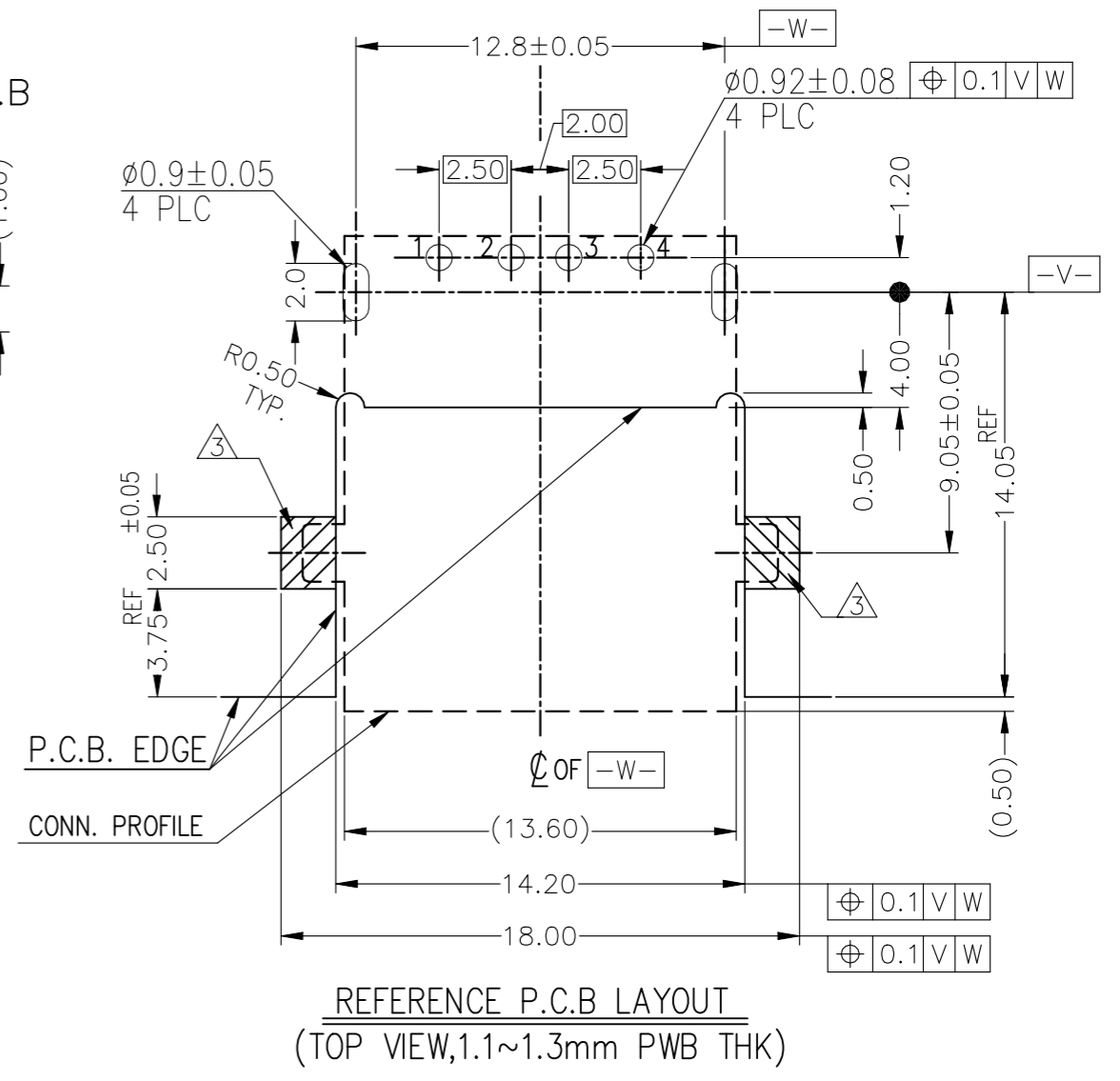
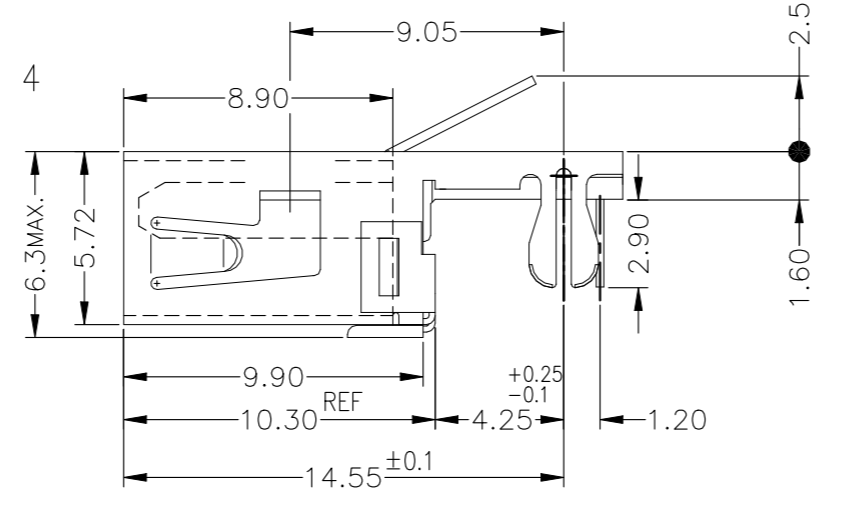
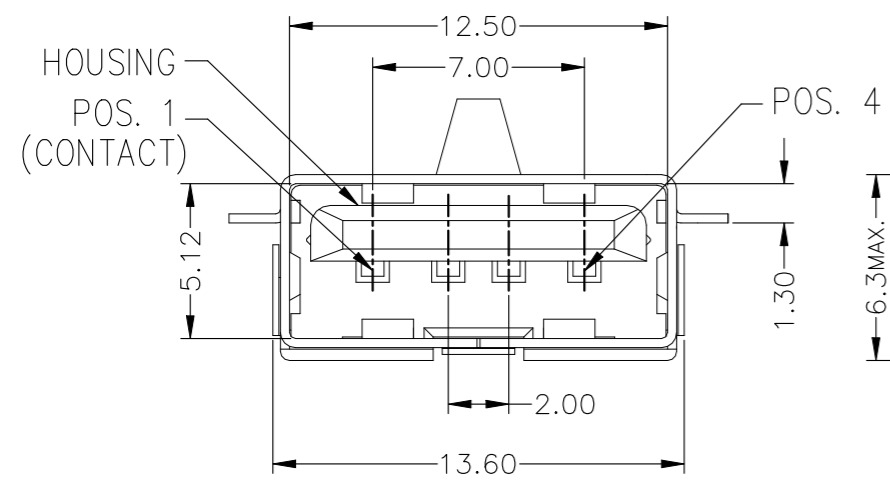


P	LTR	DESCRIPTION	DATE	DWN	APVD
	H	REVISED PER ECN-22-144478	19MAY2022	AK	SZ



REFERENCE P.C.B LAYOUT  
(SIDE VIEW, 1.3mm THK)



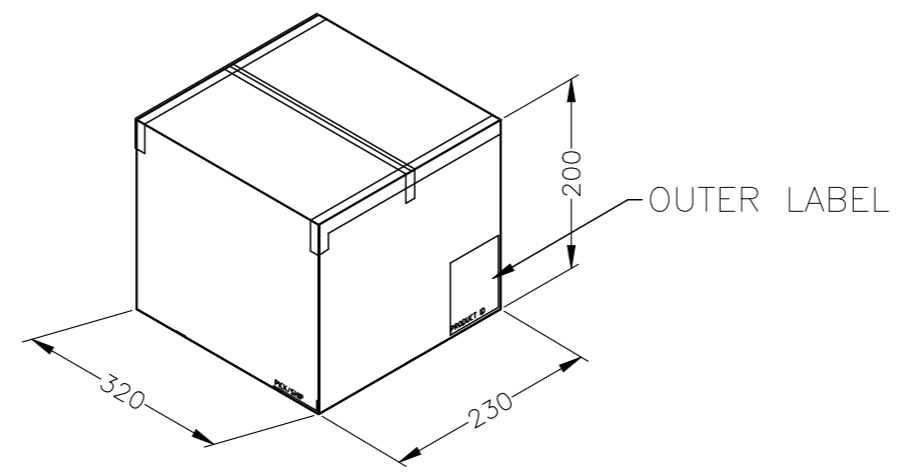
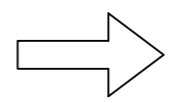
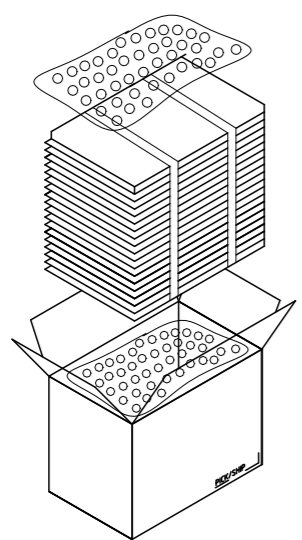
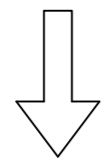
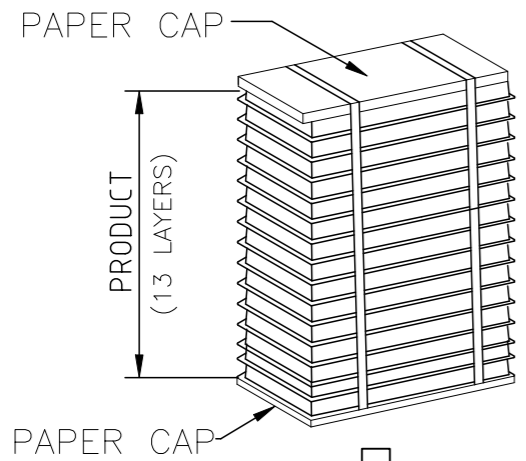
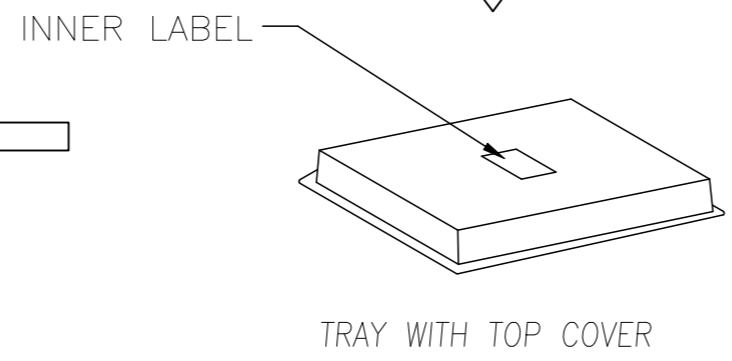
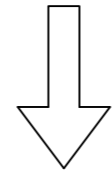
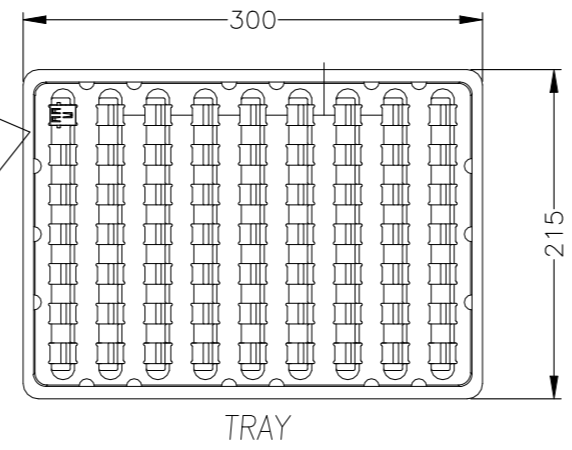
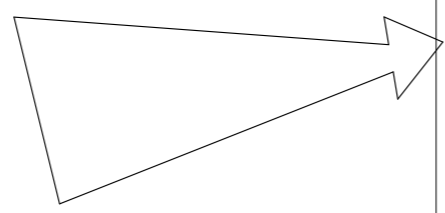
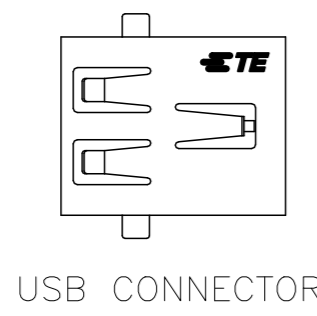
REFERENCE P.C.B LAYOUT  
(TOP VIEW, 1.1~1.3mm PWB THK)

- ① MATERIAL  
HOUSING: THERMO-PLASTICS, UL94V-0  
CONTACT: COPPER ALLOY  
FRONT SHELL: COPPER ALLOY  
BACK SHELL: COPPER ALLOY
- ② FINISH  
CONTACT: NICKEL UNDER PLATE ALL OVER.  
CONTACT AREA: GOLD PLATING  
TINE AREA: Tin PLATING  
FRONT SHELL: Tin PLATING, Ni UNDER PLATING  
BACK SHELL: Ni PLATING
- ③ NO COMPONENT AREA.

OBSOLETE	CERAMICS WHITE	1746311-2
	BLACK	1746311-1
	COLOR	PARTS No.

THIS DRAWING IS A CONTROLLED DOCUMENT.		DWN S. CHIEN 15MAR04	TE Connectivity Ltd. USB CONNECTOR RECEPTACLE DIP AND OFFSET TYPE			
DIMENSIONS: mm		CHK T. FUTATSUGI 15MAR04				
TOLERANCES UNLESS OTHERWISE SPECIFIED:		APVD H. KODAMA 15MAR04				
0 PLC ± 1 PLC ± 2 PLC ±0.3 3 PLC ± 4 PLC ± ANGLES ±3°		NAME				
MATERIAL		PRODUCT SPEC 108-5983	SIZE	CAGE CODE	DRAWING NO	RESTRICTED TO
①		FINISH	A3 00779		C-1746311	
②			CUSTOMER DRAWING		SCALE 4:1	SHEET 1 OF 2
					REV H	

REVISIONS					
P	LTR	DESCRIPTION	DATE	DWN	APVD
		SEE SHEET 1			



- NOTES :
- MATERIAL:  
TRAY : PS , T=0.8~1.0  
SHIPPING CARTON : CORRUGATED FIBERBOARD
  - DIMENSION  
TRAY : L=300, W=215, H=10  
SHIPPING CARTON : L=320, W=230, H=200
  - QUANTITY:  
63 PCS/TRAY  
819 PCS/SHIPPING CARTON
  - WEIGHT:  
NET WEIGHT:1.24KG  
GROSS WEIGHT:2.53KG

USB CONNECTOR PACKING METHOD

THIS DRAWING IS A CONTROLLED DOCUMENT.		DWN	<b>STE</b> TE Connectivity Ltd.		
DIMENSIONS: mm		CHK			
TOLERANCES UNLESS OTHERWISE SPECIFIED:		APVD	NAME		
0 PLC ±		PRODUCT SPEC	USB CONNECTOR RECEPTACLE DIP AND OFFSET TYPE		
1 PLC ±		APPLICATION SPEC	SIZE	CAGE CODE	DRAWING NO
2 PLC ± 0.3		WEIGHT	A3	00779	C-1746311
3 PLC ±		CUSTOMER DRAWING	SCALE	SHEET	REV
4 PLC ±				2 OF 2	H
ANGLES ±					
FINISH					
MATERIAL					