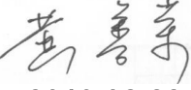


	Date	23-Aug-2019	SPECIFICATION	OLE WOLFF
	Page	1 / 11		www.owolff.com
	CN	P/N: OWDM-1936W-8B		Revision: 01



SPECIFICATION FOR APPROVAL Dual Mode Speaker

Part Number	OWDM-1936W-8B
Note	This item is in compliance with the following requirements: 1. RoHS directive 2. REACH
Customer P/N	

Ole Wolff	Signature / Date	Prepared	Checked	Approved
		 2019.08.22		Ryan Li 2019.08.26

Customer	Signature / Date	Confirmation		

Revision Notes:

Date	Rev.	Description of Revision
2018.10.10	00	Initial release
2019.08.22	01	Update the FR mask on P8

OLE WOLFF ELEKTRONIK A/S Roedengvej 25 4180 Soroe Denmark TEL: +45 57833830 FAX: +45 57820019	OLE WOLFF ELECTRONICS INC. 6046 Cornerstone Ct.West Suite 105 San Diego, CA 92121 USA TEL: +1 858 45 00 555 FAX: +1 858 45 00 508	OLE WOLFF ELEKTRONIK GmbH Schnackenburgallee 14 D-22525 Hamburg GERMANY TEL: +49 (0) 407669070 FAX: +49 (0) 40772929	OLE WOLFF ELECTRONICS 3 Bedford Street, Woburn, Bedfordshire MK17 9QB, ENGLAND TEL: +44 (0) 1525 290755 FAX: +44 (0) 1525 290855	OLE WOLFF ELEKTRONIK Yliopistonkatu 26A,3F P.O. Box 257 FIN-40101 Jyväskylä FINLAND TEL: +358 14 338 3050 FAX: +358 14 338 3059	OLE WOLFF (ASIA) LTD. Unit 1-5, 10/F., Peninsula Tower, 538 Castle Peak Road, Lai Chi Kok, Kowloon HONG KONG TEL: +852 2424 3274 FAX: +852 2424 2219	OLE WOLFF ELECTRONICS (M) SDN. BHD. 7, Persiaran Bukit Kecil 1, Taman Sri Nibong, 11900 Bayan Lepas, Penang MALAYSIA TEL: +604 646 9573 FAX: +604 643 0981
---	--	---	--	--	--	--

	Date	23-Aug-2019	SPECIFICATION	OLE WOLFF
	Page	2 / 11		www.owolff.com
	CN	P/N: OWD-1936W-8B		Revision: 01

1. SCOPE

THIS SPECIFICATION IS APPLIED FOR A DYNAMIC SPEAKER FOR A MOBLUE PHONE OR SIMILAR HAND HELD APPLICATION.

2. TEST CONDITIONS

TEMPERATURE : 18°C ~ 22°C

HUMIDITY : 65% +/-5% (R.H.)

ATMOSPHERE : 860 ~ 1060 hPa

3. GENERAL REQUIREMENTS

OPERATING TEMPERATURE RANGE : -20° C ~ 65° C

STORAGE TEMPERATUR RANGE : -40° C ~ 80° C

4. MECANICAL LAYOUT & DIMENSIONS

DIMENSIONS : SHOWN IN FIGURE.5.

NET WEIGHT : 2.7 ±0.2g

5. ELECTRICAL AND ACOUSTICAL CHARACTERISTICS FOR DYNAMIC SPEAKER&RECEIVER

1	IMPEDANCE	8Ω ± 15% AT 2kHz
2	SOUND PRESSURE LEVEL	SPEAKER: 93dB±3 dB 0.1W,0.1M AT AVE 0.8K 1.0K 1.2K 1.5K 0.89V (0dB=20.0 μ Pa/V) MEASUREMENT AS SHOWN IN FIGURE.4 115dB±3dB 0.5W,0.01M AT AVE 0.8K,1.0K,1.2K,1.5K 2V(0dB=20.0 μ Pa/V) MEASUREMENT AS SHOWN IN FIGURE.6 RECEIVER: 126dB±3dB AT 1KHz 100mV IEC318 COUPLER (0dB=20.0 μ Pa/V)
3	FREQUENCY RESPONSE	F0~8KHz.
4	RESONANCE FREQUENCY	650Hz ± 20% AT 2.0V
5	TOTAL HARMONIC DISTORTION (THD)	5% MAX AT 2000Hz
6	RATED INPUT POWER	NOMINAL 0.5W MAXIMUM 0.8W

6. ELECTRIC-ACOUTICAL CHARACTERISTICS FOR RECEIVER UNIT

7	MAGNET GRADE:	4000 GAUSS±10%
8	OPERATION	MUST BE NORMAL AT A PROGRAM SOURCE 0.5W
9	POLARITY	WHEN A POSITIVE D.C VOLTAGE IS APPLIDE TO THE (+) TERMINAL,THE DIAPHRAGM SHOULD MOVE TO THE FRONT
10	BUZZ&RATTLE	DYNAMIC SPEAKER MUST BE FREE AUDIBLE NISE AT 2.0V,SINE WAVE BETWEEN 300Hz AND 3.4KHz FREQUENCY RANGE.
11	FREQUENCY RESPONSE CURVE	SPEAKER: FIGURE.5 AND FIGURE.8 RECEIVER: FIGURE.3

OLE WOLFF ELEKTRONIK A/S Roedengvej 25 4180 Soroe Denmark TEL: +45 57833830 FAX: +45 57820019	OLE WOLFF ELECTRONICS INC. 6046 Cornerstone Ct.West Suite 105 San Diego, CA 92121 USA TEL: +1 858 45 00 555 FAX: +1 858 45 00 508	OLE WOLFF ELEKTRONIK GmbH Schnackenburgallee 14 D-22525 Hamburg GERMANY TEL: +49 (0) 407669070 FAX: +49 (0) 40772929	OLE WOLFF ELECTRONICS 3 Bedford Street, Woburn, Bedfordshire MK17 9QB, ENGLAND TEL: +44 (0) 1525 290755 FAX: +44 (0) 1525 290855	OLE WOLFF ELEKTRONIK Yliopistonkatu 26A,3F P.O. Box 257 FIN-40101 Jyväskylä FINLAND TEL: +358 14 338 3050 FAX: +358 14 338 3059	OLE WOLFF (ASIA) LTD. Unit 1-5, 10/F., Peninsula Tower, 538 Castle Peak Road, Lai Chi Kok, Kowloon HONG KONG TEL: +852 2424 3274 FAX: +852 2424 2219	OLE WOLFF ELECTRONICS (M) SDN. BHD. 7, Persiaran Bukit Kecil 1, Taman Sri Nibong, 11900 Bayan Lepas, Penang MALAYSIA TEL: +604 646 9573 FAX: +604 643 0981
---	--	---	--	--	--	--

	Date	23-Aug-2019	SPECIFICATION	OLE WOLFF
	Page	3 / 11		www.owolff.com
	CN	P/N: OWD-1936W-8B		Revision: 01

7. QUALIFICATION TESTS

AFTER TEST SPEAKER MODE : SENSITIVITY DIFFERENCE AT 0.8K, 1.0K, 1.2K, 1.5KHz SHALL BE WITHIN ± 3 dB FROM INITIAL VALUE. RECEIVER MODE : SENSITIVITY DIFFERENCE AT 1.0KHz SHALL BE WITHIN ± 3 dB FROM INITIAL VALUE.
LOAD TEST INPUT SIGNAL : WHITE NOISE INPUT POWER : 0.5W DURATION : 96 HOURS
HIGH TEMPERATUER TEST HIGH TEMPERATURE : $80^{\circ}\pm 2^{\circ}\text{C}$ DUATION : 96 HOURS
LOW TEMPERATURE TEST LOW TEMPERATURE : $-40^{\circ}\pm 2^{\circ}\text{C}$ DUATION : 96 HOURS
HUMIDITY TEST TEMPERATURE : $40^{\circ}\pm 2^{\circ}\text{C}$ HUMIDITY : 90~95% DUATION : 96 HOURS
VIBRATION TEST VIBRATION : 10-55Hz/MIN AMPLITUDE : 1.5MM DURATION : 3 HR IN EACH OF 3 AXES
DROP TEST HEIGHT : 1.2M DROP FACE : CONCRETE FLOOR DURATION : 6 TIMES
TPERATURE CYCLE TESTEM TEMPERATURE : $-40^{\circ}\pm 2^{\circ}\text{C}(\text{HRM.40\%})\leftrightarrow +80^{\circ}\pm 2^{\circ}\text{C}$ DURATION : 2 HR 30MIN 2 HR(1CYCLE) CYCLES : 10CYCLES

8.INSULATION TESTS

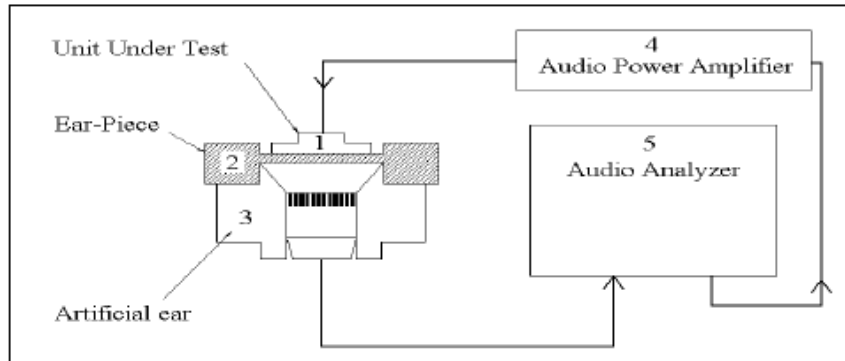
1	WITHSTAND VOLTAGE	AC 100V FOR 1MIN. BETWEEN THE TERMINAL AND THE PLASTIC CASE HOUSING.
2	INSULATION RESISTANCE	1M OHM AT DC 200V BETWEEN THE TERMINAL AND THE PLASTIC CASE HOUSING.

OLE WOLFF ELEKTRONIK A/S Roedengvej 25 4180 Soroe Denmark TEL: +45 57833830 FAX: +45 57820019	OLE WOLFF ELECTRONICS INC. 6046 Comerstone Ct.West Suite 105 San Diego, CA 92121 USA TEL: +1 858 45 00 555 FAX: +1 858 45 00 508	OLE WOLFF ELEKTRONIK GmbH Schnackenburgallee 14 D-22525 Hamburg GERMANY TEL: +49 (0) 407669070 FAX: +49 (0) 40772929	OLE WOLFF ELECTRONICS 3 Bedford Street, Woburn, Bedfordshire MK17 9QB, ENGLAND TEL: +44 (0) 1525 290755 FAX: +44 (0) 1525 290855	OLE WOLFF ELEKTRONIK Yliopistonkatu 26A,3F P.O. Box 257 FIN-40101 Jyväskylä FINLAND TEL: +358 14 338 3050 FAX: +358 14 338 3059	OLE WOLFF (ASIA) LTD. Unit 1-5, 10/F., Peninsula Tower, 538 Castle Peak Road, Lai Chi Kok, Kowloon HONG KONG TEL: +852 2424 3274 FAX: +852 2424 2219	OLE WOLFF ELECTRONICS (M) SDN. BHD. 7, Persiaran Bukit Kecil 1, Taman Sri Nibong, 11900 Bayan Lepas, Penang MALAYSIA TEL: +604 646 9573 FAX: +604 643 0981
---	---	---	--	--	--	--

	Date	23-Aug-2019	SPECIFICATION	OLE WOLFF
	Page	4 / 11		www.owolff.com
	CN	P/N: OWD-1936W-8B		Revision: 01

9. MEASUREMENT METHOD FOR RECEIVER UNIT(FIGURE. 1)

MEASUREMENT CIRCUIT OF IEC 318

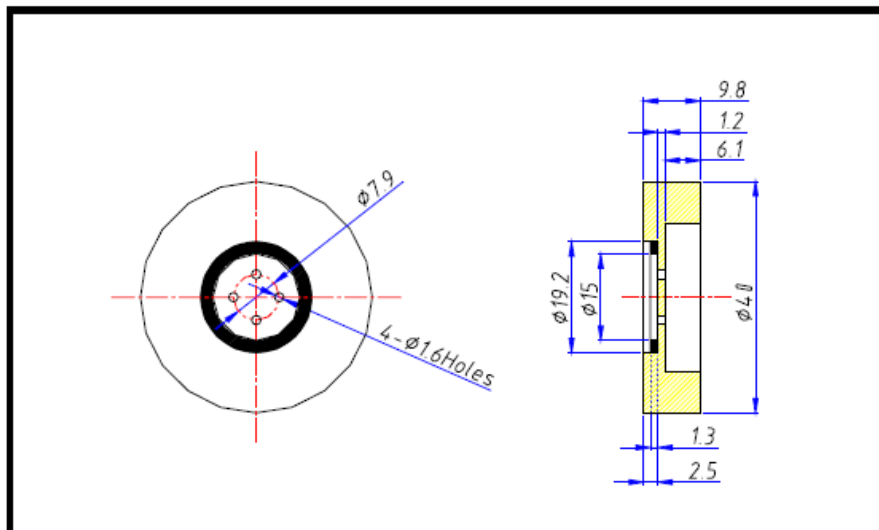


MEASURING EQUIPMENT

NO	EQUIPMENT	REMARKS
1.	UNIT UNDER TEST	RECEIVER
2.	EAR-PIECE (RECOMMENDED)	AS SHOWN IN FIGURE 2
3.	ARTIFICIAL EAR	IEC 318
4.	AUDIO POWER AMPLIFIER	CRATE AUDIO SPA300
5.	AUDIO ANALYZER	LISTEN SOUNCHECK

10. STANADRD EAR PIECE(FIGURE. 2)

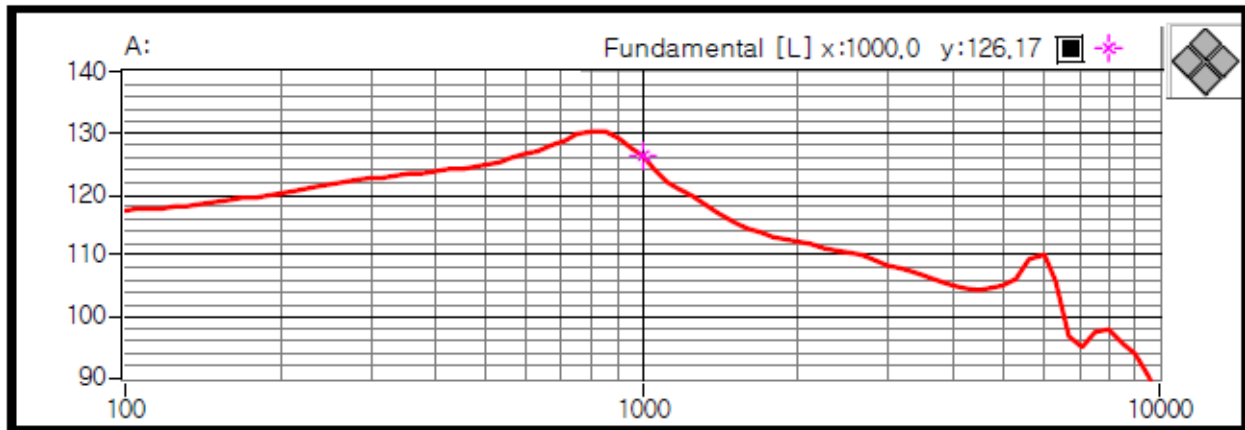
Unit:mm



OLE WOLFF ELEKTRONIK A/S Roedengvej 25 4180 Soroe Denmark TEL: +45 57833830 FAX: +45 57820019	OLE WOLFF ELECTRONICS INC. 6046 Cornerstone Ct.West Suite 105 San Diego, CA 92121 USA TEL: +1 858 45 00 555 FAX: +1 858 45 00 508	OLE WOLFF ELEKTRONIK GmbH Schnackenburgallee 14 D-22525 Hamburg GERMANY TEL: +49 (0) 407669070 FAX: +49 (0) 40772929	OLE WOLFF ELECTRONICS 3 Bedford Street, Woburn, Bedfordshire MK17 9QB, ENGLAND TEL: +44 (0) 1525 290755 FAX: +44 (0) 1525 290855	OLE WOLFF ELEKTRONIK Yliopistonkatu 26A,3F P.O. Box 257 FIN-40101 Jyväskylä FINLAND TEL: +358 14 338 3050 FAX: +358 14 338 3059	OLE WOLFF (ASIA) LTD. Unit 1-5, 10/F., Peninsula Tower, 538 Castle Peak Road, Lai Chi Kok, Kowloon HONG KONG TEL: +852 2424 3274 FAX: +852 2424 2219	OLE WOLFF ELECTRONICS (M) SDN. BHD. 7, Persiaran Bukit Kecil 1, Taman Sri Nibong, 11900 Bayan Lepas, Penang MALAYSIA TEL: +604 646 9573 FAX: +604 643 0981
---	--	---	--	--	--	--

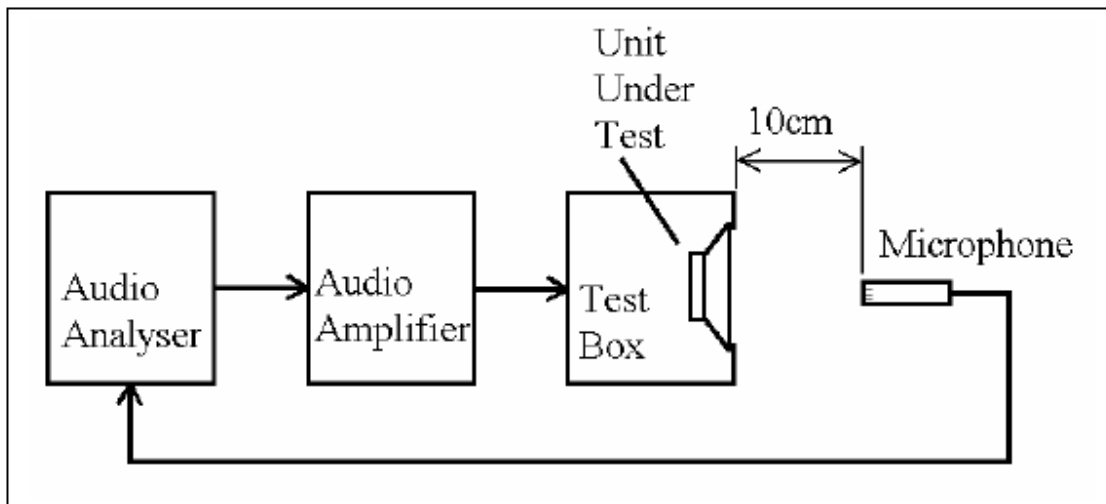
	Date	23-Aug-2019	SPECIFICATION	OLE WOLFF
	Page	5 / 11		www.owolff.com
	CN	P/N: OWDM-1936W-8B		Revision: 01

11. FREQUENCY RESPONSE (FIGURE. 3)



12. MEASUREMENT METHOD FOR DYNAMIC SPEAKER (FIGURE. 4)

MEASUREMENT CIRCUIT FOR DYNAMIC SPEAKER



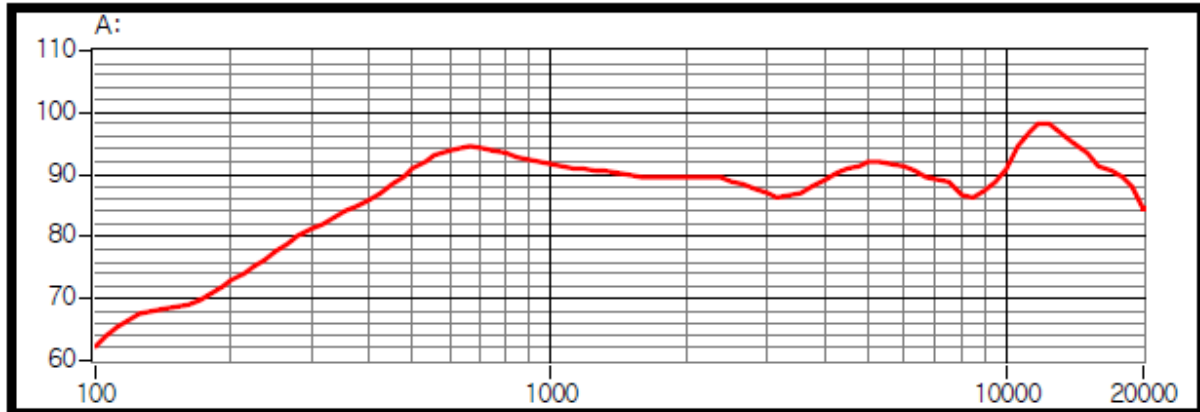
MEASURING EQUIPMENT

NO	EQUIPMENT	REMARKS
1. 0	UNIT UNDER TEST	SPEAKER
2. 0	TEST BOX	10CM× 10CM× 10CM (1000CC) BOX
3. 0	AUDIO POWER AMPLIFIER	CRATE AUDIO SPA300
4. 0	ANALYZER	LISTEN SOUNDCHECK

OLE WOLFF ELEKTRONIK A/S Roedengvej 25 4180 Soroe Denmark TEL: +45 57833830 FAX: +45 57820019	OLE WOLFF ELECTRONICS INC. 6046 Cornerstone Ct.West Suite 105 San Diego, CA 92121 USA TEL: +1 858 45 00 555 FAX: +1 858 45 00 508	OLE WOLFF ELEKTRONIK GmbH Schnackenburgallee 14 D-22525 Hamburg GERMANY TEL: +49 (0) 407669070 FAX: +49 (0) 40772929	OLE WOLFF ELECTRONICS 3 Bedford Street, Woburn, Bedfordshire MK17 9QB, ENGLAND TEL: +44 (0) 1525 290755 FAX: +44 (0) 1525 290855	OLE WOLFF ELEKTRONIK Yliopistonkatu 26A,3F P.O. Box 257 FIN-40101 Jyväskylä FINLAND TEL: +358 14 338 3050 FAX: +358 14 338 3059	OLE WOLFF (ASIA) LTD. Unit 1-5, 10/F., Peninsula Tower, 538 Castle Peak Road, Lai Chi Kok, Kowloon HONG KONG TEL: +852 2424 3274 FAX: +852 2424 2219	OLE WOLFF ELECTRONICS (M) SDN. BHD. 7, Persiaran Bukit Kecil 1, Taman Sri Nibong, 11900 Bayan Lepas, Penang MALAYSIA TEL: +604 646 9573 FAX: +604 643 0981
---	--	---	--	--	--	--

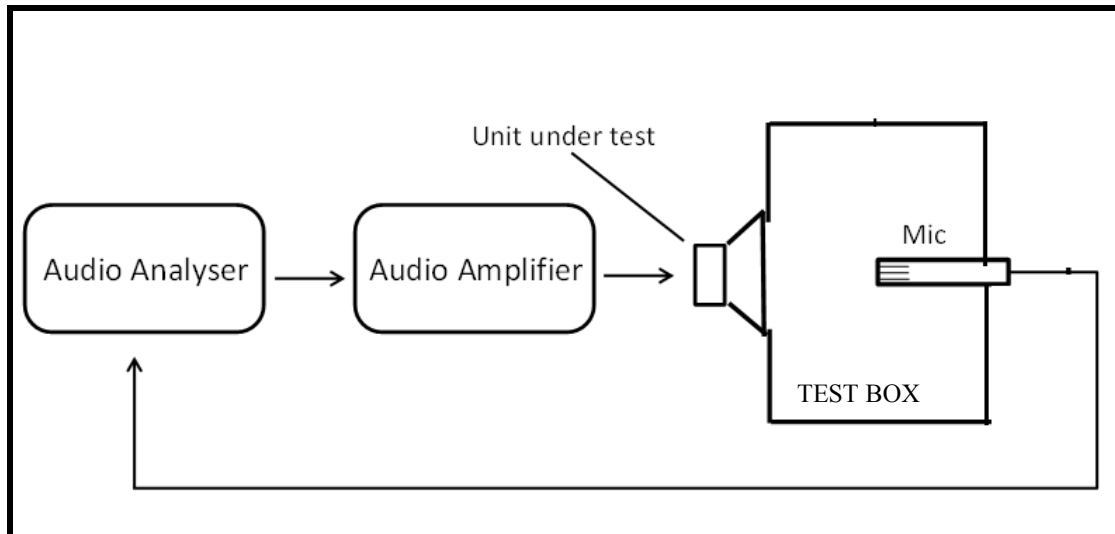
	Date	23-Aug-2019	SPECIFICATION	OLE WOLFF
	Page	6 / 11		www.owolff.com
	CN	P/N: OWDM-1936W-8B		Revision: 01

13. FREQUENCY RESPONSE (FIGURE. 5)



14. MEASUREMENT METHOD FOR DYNAMIC SPEAKER (FIGURE. 6)

MEASUREMENT CIRCUIT FOR DYNAMIC SPEAKER



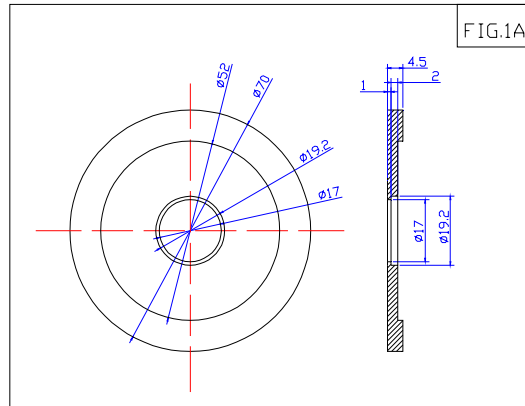
MEASURING EQUIPMENT

NO	EQUIPMENT	REMARKS
1.0	UNIT UNDER TEST	SPEAKER
2.0	TEST BOX	OLE WOLFF STANDARD BOX
3.0	AUDIO POWER AMPLIFIER	CRATE AUDIO SPA300
4.0	ANALYZER	LISTEN SOUNDCHECK

OLE WOLFF ELEKTRONIK A/S Roedengvej 25 4180 Soroe Denmark TEL: +45 57833830 FAX: +45 57820019	OLE WOLFF ELECTRONICS INC. 6046 Cornerstone Ct.West Suite 105 San Diego, CA 92121 USA TEL: +1 858 45 00 555 FAX: +1 858 45 00 508	OLE WOLFF ELEKTRONIK GmbH Schnackenburgallee 14 D-22525 Hamburg GERMANY TEL: +49 (0) 407669070 FAX: +49 (0) 40772929	OLE WOLFF ELECTRONICS 3 Bedford Street, Woburn, Bedfordshire MK17 9QB, ENGLAND TEL: +44 (0) 1525 290755 FAX: +44 (0) 1525 290855	OLE WOLFF ELEKTRONIK Yliopistonkatu 26A,3F P.O. Box 257 FIN-40101 Jyväskylä FINLAND TEL: +358 14 338 3050 FAX: +358 14 338 3059	OLE WOLFF (ASIA) LTD. Unit 1-5, 10/F., Peninsula Tower, 538 Castle Peak Road, Lai Chi Kok, Kowloon HONG KONG TEL: +852 2424 3274 FAX: +852 2424 2219	OLE WOLFF ELECTRONICS (M) SDN. BHD. 7, Persiaran Bukit Kecil 1, Taman Sri Nibong, 11900 Bayan Lepas, Penang MALAYSIA TEL: +604 646 9573 FAX: +604 643 0981
---	--	---	--	--	--	--

	Date	23-Aug-2019	SPECIFICATION	OLE WOLFF
	Page	7 / 11		www.owolff.com
	CN	P/N: OWDM-1936W-8B		Revision: 01

15.TEST BOX: OW-BOX(FIGURE.7)



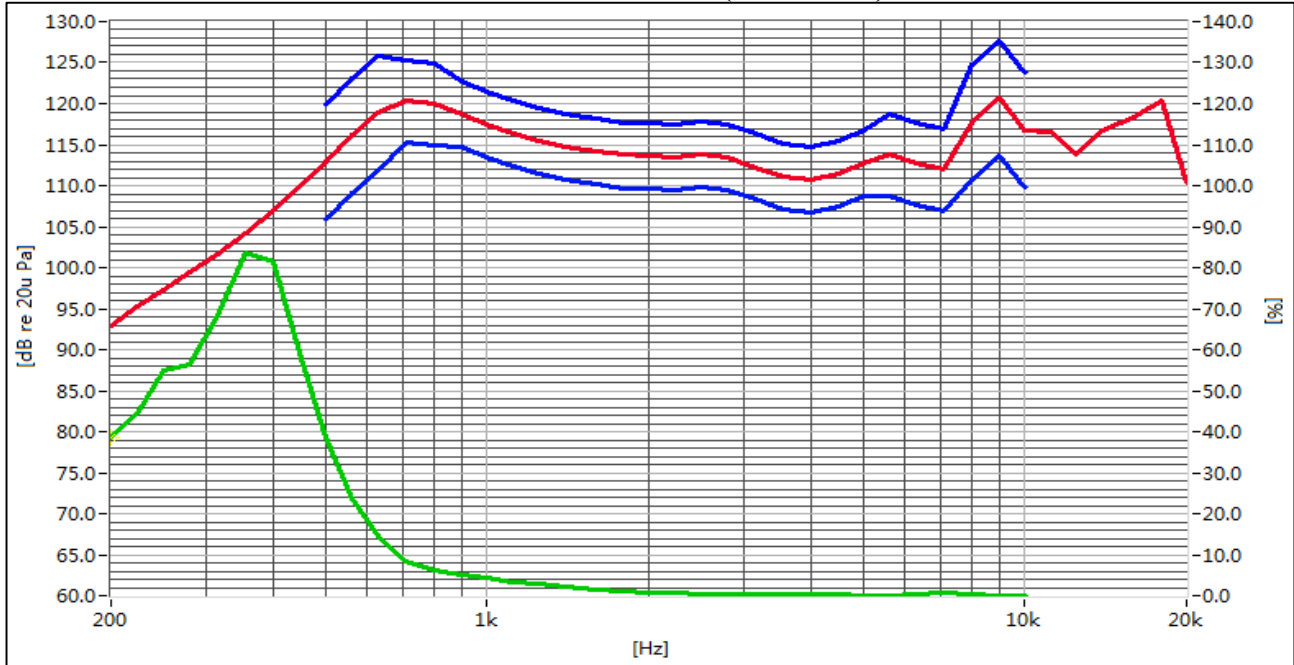
Dimension of test box
Length:97cm
Width:46cm
Height:68cm
Foam thickness:8cm
Wood wall are 1.8cm thickness.

NO.	EQUIPMENT	REMARKS
1	TEST JIG	FIG. 1A
2	MICROPHONE	1/2 INCH MICROPHONE
3	MICROPHONE HOLDER	
4	DAMPING MATERIAL	FOAM RUBBER
5	BOX	WOOD
6	TEST DISTARCE MEASURED FROM FRONT OF SPEAKER FRAME TO FRONT OF TEST MICROPHONE	10mm

OLE WOLFF ELEKTRONIK A/S Roedengvej 25 4180 Soroe Denmark TEL: +45 57833830 FAX: +45 57820019	OLE WOLFF ELECTRONICS INC. 6046 Cornerstone Ct.West Suite 105 San Diego, CA 92121 USA TEL: +1 858 45 00 555 FAX: +1 858 45 00 508	OLE WOLFF ELEKTRONIK GmbH Schnackenburgallee 14 D-22525 Hamburg GERMANY TEL: +49 (0) 407669070 FAX: +49 (0) 40772929	OLE WOLFF ELECTRONICS 3 Bedford Street, Woburn, Bedfordshire MK17 9QB, ENGLAND TEL: +44 (0) 1525 290755 FAX: +44 (0) 1525 290855	OLE WOLFF ELEKTRONIK Yliopistonkatu 26A,3F P.O. Box 257 FIN-40101 Jyväskylä FINLAND TEL: +358 14 338 3050 FAX: +358 14 338 3059	OLE WOLFF (ASIA) LTD. Unit 1-5, 10/F., Peninsula Tower, 538 Castle Peak Road, Lai Chi Kok, Kowloon HONG KONG TEL: +852 2424 3274 FAX: +852 2424 2219	OLE WOLFF ELECTRONICS (M) SDN. BHD. 7, Persiaran Bukit Kecil 1, Taman Sri Nibong, 11900 Bayan Lepas, Penang MALAYSIA TEL: +604 646 9573 FAX: +604 643 0981
---	--	---	--	--	--	--

	Date	23-Aug-2019	SPECIFICATION	OLE WOLFF
	Page	8 / 11		www.owolff.com
	CN	P/N: OWDM-1936W-8B		Revision: 01

16.STANDARD FREQUENCY RESPONSE CURVE (FIGURE.8)



F&R Mask:

F. Point	500	...	630	...	800	...	5k	...	7.1k	...	10k	Hz
Upper Limit	+7	+7	+7	+5	+5	+4	+5	+6	+7	+7	+7	dB
Lower Limit	-7	-7	-7	-5	-5	-4	-5	-6	-7	-7	-7	dB

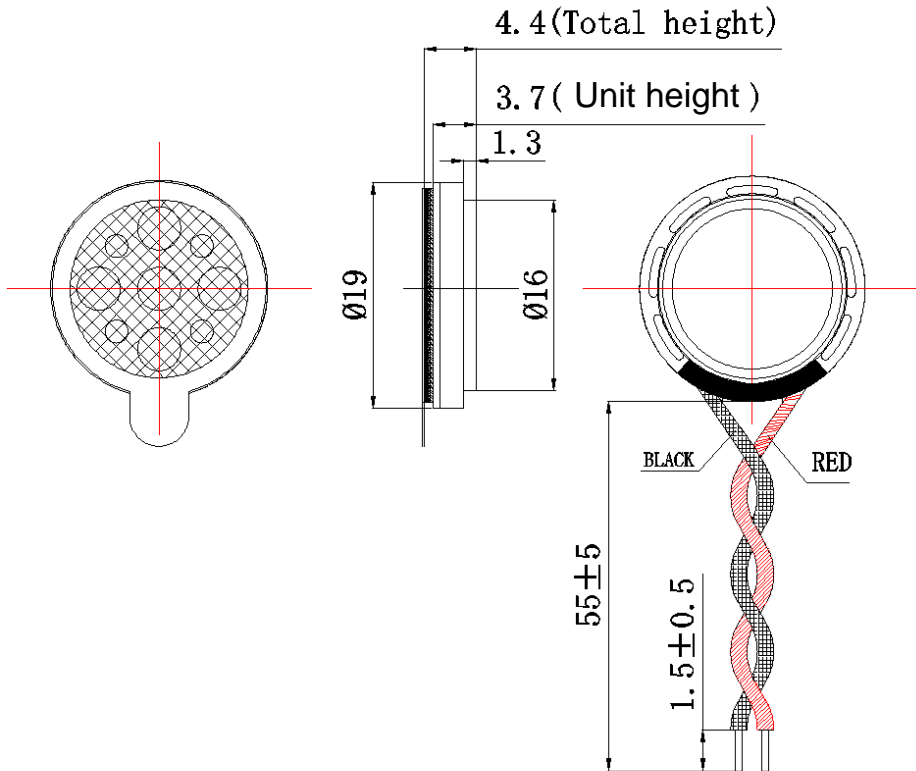
OLE WOLFF ELEKTRONIK A/S Roedengvej 25 4180 Soroe Denmark TEL: +45 57833830 FAX: +45 57820019	OLE WOLFF ELECTRONICS INC. 6046 Cornerstone Ct.West Suite 105 San Diego, CA 92121 USA TEL: +1 858 45 00 555 FAX: +1 858 45 00 508	OLE WOLFF ELEKTRONIK GmbH Schnackenburgallee 14 D-22525 Hamburg GERMANY TEL: +49 (0) 407669070 FAX: +49 (0) 40772929	OLE WOLFF ELECTRONICS 3 Bedford Street, Woburn, Bedfordshire MK17 9QB, ENGLAND TEL: +44 (0) 1525 290755 FAX: +44 (0) 1525 290855	OLE WOLFF ELEKTRONIK Yliopistonkatu 26A,3F P.O. Box 257 FIN-40101 Jyväskylä FINLAND TEL: +358 14 338 3050 FAX: +358 14 338 3059	OLE WOLFF (ASIA) LTD. Unit 1-5, 10/F., Peninsula Tower, 538 Castle Peak Road, Lai Chi Kok, Kowloon HONG KONG TEL: +852 2424 3274 FAX: +852 2424 2219	OLE WOLFF ELECTRONICS (M) SDN. BHD. 7, Persiaran Bukit Kecil 1, Taman Sri Nibong, 11900 Bayan Lepas, Penang MALAYSIA TEL: +604 646 9573 FAX: +604 643 0981
---	--	---	--	--	--	--

	Date	23-Aug-2019	SPECIFICATION	OLE WOLFF
	Page	9 / 11		www.owolff.com
	CN	P/N: OWD-1936W-8B		Revision: 01

17. DIMENSION(FIGURE.9)

Unit:mm

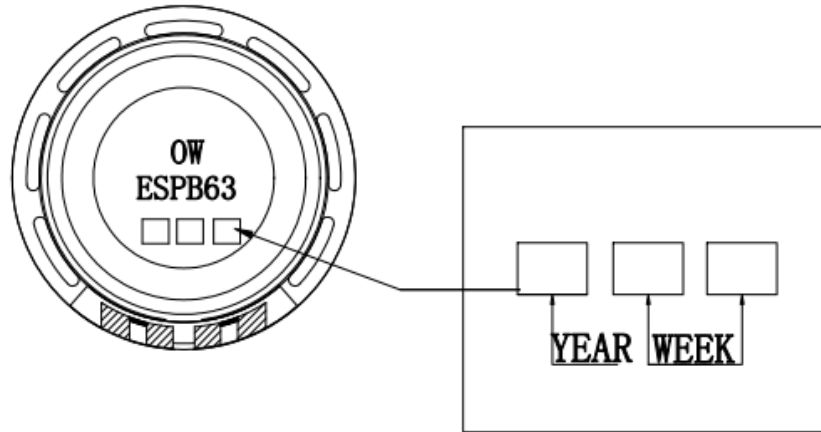
Tolerance:+/-0.2



OLE WOLFF ELEKTRONIK A/S Roedengvej 25 4180 Soroe Denmark TEL: +45 57833830 FAX: +45 57820019	OLE WOLFF ELECTRONICS INC. 6046 Cornerstone Ct.West Suite 105 San Diego, CA 92121 USA TEL: +1 858 45 00 555 FAX: +1 858 45 00 508	OLE WOLFF ELEKTRONIK GmbH Schnackenburgallee 14 D-22525 Hamburg GERMANY TEL: +49 (0) 407669070 FAX: +49 (0) 40772929	OLE WOLFF ELECTRONICS 3 Bedford Street, Woburn, Bedfordshire MK17 9QB, ENGLAND TEL: +44 (0) 1525 290755 FAX: +44 (0) 1525 290855	OLE WOLFF ELEKTRONIK Yliopistonkatu 26A,3F P.O. Box 257 FIN-40101 Jyväskylä FINLAND TEL: +358 14 338 3050 FAX: +358 14 338 3059	OLE WOLFF (ASIA) LTD. Unit 1-5, 10/F., Peninsula Tower, 538 Castle Peak Road, Lai Chi Kok, Kowloon HONG KONG TEL: +852 2424 3274 FAX: +852 2424 2219	OLE WOLFF ELECTRONICS (M) SDN. BHD. 7, Persiaran Bukit Kecil 1, Taman Sri Nibong, 11900 Bayan Lepas, Penang MALAYSIA TEL: +604 646 9573 FAX: +604 643 0981
---	--	---	--	--	--	--

	Date	23-Aug-2019	SPECIFICATION	OLE WOLFF
	Page	10 / 11		www.owolff.com
	CN	P/N: OWDM-1936W-8B		Revision: 01

18.METHOD OF MARKING (FIGURE.10)

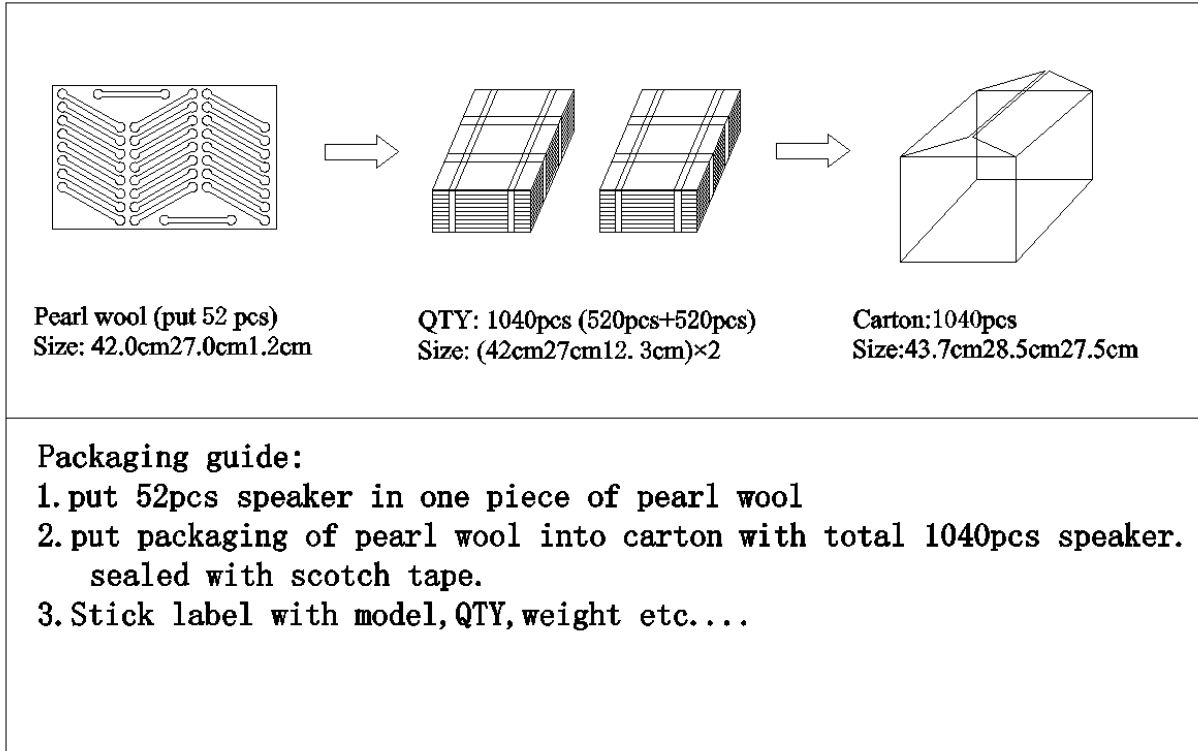


YEAR		WEEK	
year	marking	week	marking
2019	9	1	01
2020	0	2	02
2021	1	3	03
2022	2	4	04
2023	3	5	05
		↓	↓
		51	51
		52	52

OLE WOLFF ELEKTRONIK A/S Roedengvej 25 4180 Soroe Denmark TEL: +45 57833830 FAX: +45 57820019	OLE WOLFF ELECTRONICS INC. 6046 Cornerstone Ct.West Suite 105 San Diego, CA 92121 USA TEL: +1 858 45 00 555 FAX: +1 858 45 00 508	OLE WOLFF ELEKTRONIK GmbH Schnackenburgallee 14 D-22525 Hamburg GERMANY TEL: +49 (0) 407669070 FAX: +49 (0) 40772929	OLE WOLFF ELECTRONICS 3 Bedford Street, Woburn, Bedfordshire MK17 9QB, ENGLAND TEL: +44 (0) 1525 290755 FAX: +44 (0) 1525 290855	OLE WOLFF ELEKTRONIK Yliopistonkatu 26A,3F P.O. Box 257 FIN-40101 Jyväskylä FINLAND TEL: +358 14 338 3050 FAX: +358 14 338 3059	OLE WOLFF (ASIA) LTD. Unit 1-5, 10/F., Peninsula Tower, 538 Castle Peak Road, Lai Chi Kok, Kowloon HONG KONG TEL: +852 2424 3274 FAX: +852 2424 2219	OLE WOLFF ELECTRONICS (M) SDN. BHD. 7, Persiaran Bukit Kecil 1, Taman Sri Nibong, 11900 Bayan Lepas, Penang MALAYSIA TEL: +604 646 9573 FAX: +604 643 0981
---	--	---	--	--	--	--

	Date	23-Aug-2019	SPECIFICATION	OLE WOLFF
	Page	11 / 11		www.owolff.com
	CN	P/N: OWD-1936W-8B		Revision: 01

19.PACKING METHOD(FIGURE 11)



OLE WOLFF ELEKTRONIK A/S Roedengvej 25 4180 Soroe Denmark TEL: +45 57833830 FAX: +45 57820019	OLE WOLFF ELECTRONICS INC. 6046 Cornerstone Ct.West Suite 105 San Diego, CA 92121 USA TEL: +1 858 45 00 555 FAX: +1 858 45 00 508	OLE WOLFF ELEKTRONIK GmbH Schnackenburgallee 14 D-22525 Hamburg GERMANY TEL: +49 (0) 407669070 FAX: +49 (0) 40772929	OLE WOLFF ELECTRONICS 3 Bedford Street, Woburn, Bedfordshire MK17 9QB, ENGLAND TEL: +44 (0) 1525 290755 FAX: +44 (0) 1525 290855	OLE WOLFF ELEKTRONIK Yliopistonkatu 26A,3F P.O. Box 257 FIN-40101 Jyväskylä FINLAND TEL: +358 14 338 3050 FAX: +358 14 338 3059	OLE WOLFF (ASIA) LTD. Unit 1-5, 10/F., Peninsula Tower, 538 Castle Peak Road, Lai Chi Kok, Kowloon HONG KONG TEL: +852 2424 3274 FAX: +852 2424 2219	OLE WOLFF ELECTRONICS (M) SDN. BHD. 7, Persiaran Bukit Kecil 1, Taman Sri Nibong, 11900 Bayan Lepas, Penang MALAYSIA TEL: +604 646 9573 FAX: +604 643 0981
---	--	---	--	--	--	--