

SK 35


Order No.: 3026463



<http://eshop.phoenixcontact.de/phoenix/treeViewClick.do?UID=3026463>

Shield connection terminal block, for applying the shield to busbars,
type SK 35

Commercial data

| | |
|--------------------------|---|
| GTIN (EAN) |  4 017918 167998 |
| sales group | A502 |
| Pack | 10 pcs. |
| Customs tariff | 85369010 |
| Catalog page information | Page 678 (CL-2009) |

Product notes

WEEE/RoHS-compliant since:
05/01/2005



<http://www.download.phoenixcontact.com>
Please note that the data given here has been taken from the online catalog. For comprehensive information and data, please refer to the user documentation. The General Terms and Conditions of Use apply to Internet downloads.

Technical data

General

| | |
|-------|--------|
| Color | silver |
|-------|--------|

Connection data

| | |
|------------------------|--------|
| Tightening torque, min | 1.5 Nm |
| Tightening torque max | 1.8 Nm |

Accessories

| Item | Designation | Description |
|------|-------------|-------------|
|------|-------------|-------------|

Assembly

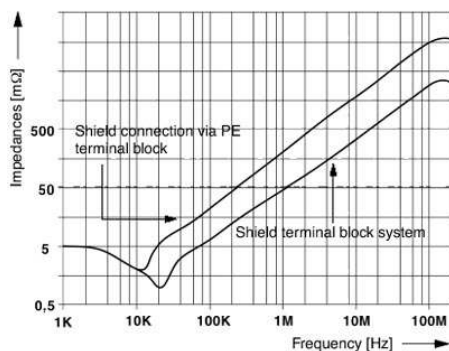
| | | |
|---------|-----------------------|--|
| 3025341 | AB-SK | Support for busbars |
| 0404428 | AB/SS | Support made of insulating material, with retaining screw, for use with either 3 x 10 mm or 6 x 6 mm busbar, color: gray |
| 0402174 | NLS-CU 3/10 SN 1000MM | PEN conductor busbar, 3mm x 10 mm, length: 1000 mm |

General

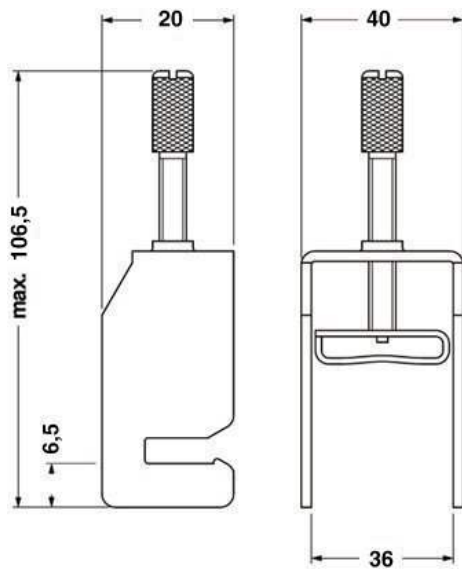
| | | |
|---------|------------|--|
| 0404017 | AK 4 | Power terminal block, Load current : 41 A, Cross section: 0.5 mm ² - 6 mm ² , Width: 7 mm, Color: gray |
| 0421032 | AKG 4 BK | Power terminal block, Load current : 41 A, Cross section: 0.5 mm ² - 6 mm ² , Width: 7 mm, Color: black |
| 0421029 | AKG 4 GNYE | Power terminal block, Load current : 41 A, Cross section: 0.5 mm ² - 6 mm ² , Width: 7 mm, Color: green-yellow |

Diagrams/Drawings

Diagram



Dimensioned drawing



SK 35 Order No.: 3026463

<http://eshop.phoenixcontact.de/phoenix/treeViewClick.do?UID=3026463>

Address

PHOENIX CONTACT Deutschland GmbH
Flachmarktstr. 8
32825 Blomberg, Germany
Phone +49 5235 3 12000
Fax +49 5235 3 41200
<http://www.phoenixcontact.de>



© 2011 Phoenix Contact
Technical modifications reserved;