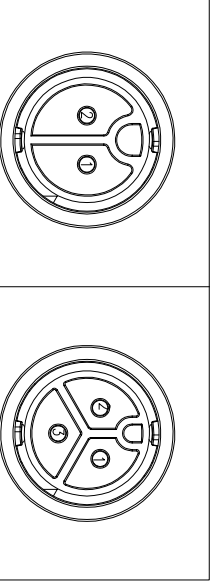
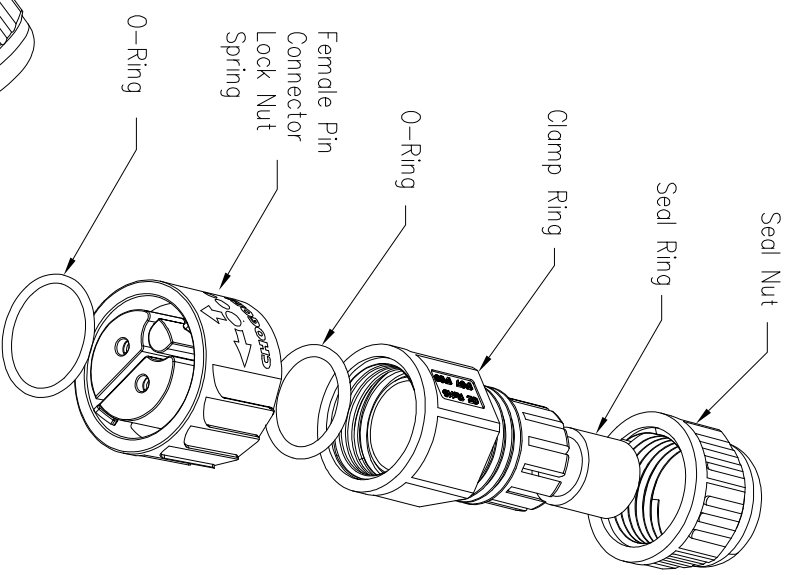
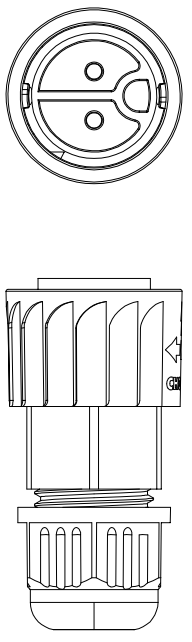
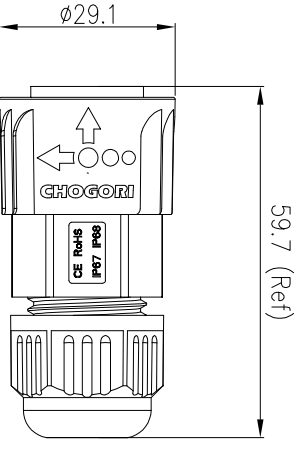
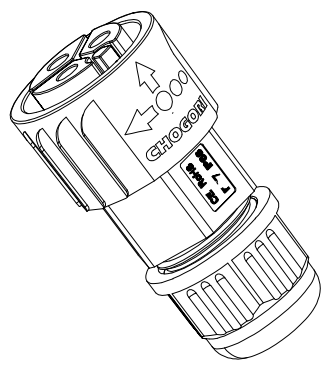


REV.	EN. NO.	DESCRIPTION	SIGN	DATE
C1	N/A	INITIAL DRAWING	Liu	2019/08/13



24XXX231-XX Cable Range OD  
 01 OD:  $\phi 3.5\text{mm} \sim \phi 6.8\text{mm}$   
 02 OD:  $\phi 6.8\text{mm} \sim \phi 10.5\text{mm}$   
 Pin Number

P/N: 24002231-02  
 P/N: 24003231-02  
 Pin Assignments Front View



- Specification:
- 1.Operation Temperature:  $-45^{\circ}\text{C} \sim 105^{\circ}\text{C}$ .
  2. Insulation Resistance:  $100\text{M}\Omega$  at DC500V.
  3. Contact Resistance:  $<10\text{m}\Omega$ .
  4. Withstand Voltage: 2000V AC
  5. Operating Current: 20A
  6. Operating Voltage: AC 300V
  7. Waterproof Rate: IP67 (Mated)
  8. Seal Nut: Nylon, Black
  9. Seal Ring: Silicon, Black.
  10. Clamp Ring: Nylon, Black
  11. O-Ring: Silicon, Red
  12. Female Pin: Copper Alloy, Gold Plated
  13. Connector: Nylon+GF, Black
  14. Lock Nut: Nylon, Orange
  15. Spring: SUS
  16. O-Ring: Silicon, Red
  14. RoHS Compliant.
  15. UL Compliant.
  16. Mating Cap: 804-00008-00

UNIT: mm	DESCRIPTION	PART NO	DRAWN BY	DATE
TOLERANCE X XX XXX ANGLES	Large Series Push Lock Male Plug With Female Pin	24XXX231-XX	Liu	2019/08/13
SCALE: 1:1	REV: C1	DWG NO	CHECKED BY: Mo	DATE: 2019/08/13
SHEET: 1 OF 1	SIZE: A4	CUSTOMER	APPROVED BY: Panson	DATE: 2019/08/13
* : Inspection Item				

**CHOGORI**