

PART NUMBER SCHEME:

10159558-X XX X X X X X F

LEAD FREE

X	POWER POSITION
2	1+1
4	2+2
6	3+3
8	4+4
A	5+5

XX	SIGNAL POSITION
06	2X3
08	2X4
10	2X5
20	2X10
30	2X15
40	2x20
**	***
A4	2X70

X	FOR RECEPTACLE, SEE DWG. NO. 10159559			
COMBINATION OF MATED HEIGHT	HEADER 1 HEIGHT: 1.3	HEADER 2 HEIGHT: 2.3	HEADER 3 HEIGHT: 3.3	HEADER 4 HEIGHT: 4.3
RECEPTACLE 1 HEIGHT: 3.7				
RECEPTACLE 2 HEIGHT: 7.7				
RECEPTACLE 3 HEIGHT: 11.7				
RECEPTACLE 4 HEIGHT: 15.7				

X	CONTACT AREA PLATING
1	GOLD 0.05um MIN
2	GOLD OR GXT 0.2um MIN
3	GOLD OR GXT 0.375um MIN
4	GOLD OR GXT 0.75um MIN

X	POLARIZATION PEG/ DATE CODE
L	WITH PEG/ WITHOUT DATE CODE
P	WITH PEG/ WITH DATE CODE
C	WITH PEG/ CUSTOMIZED DATE CODE
M	WITHOUT PEG/ WITHOUT DATE CODE
N	WITHOUT PEG/ WITH DATE CODE

X	SOLDER TAIL PLATING:	
	POWER PIN	SIGNAL PIN
1	GOLD FLASH	TIN
2	GOLD FLASH	GOLD FLASH

X	PACKAGING
R	T&R WITH PICK UP FEATURE
T	TUBE WITHOUT PICK UP FEATURE
Q	T&R WITHOUT PICK UP FEATURE

PICK UP FEATURE	DESCRIPTION
MYLAR	SIGNAL POSITION LESS THAN 40 POS
METAL CAP	SIGNAL POSITION MORE THAN 40 POS

DATE CODE: XXXXXX

DAY (01~32)  
MONTH (01~12)  
YEAR (00~99)

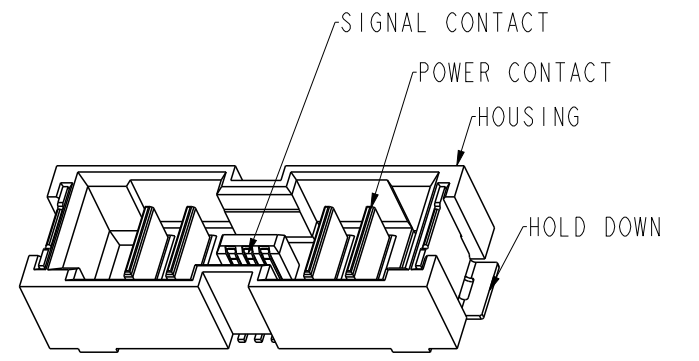
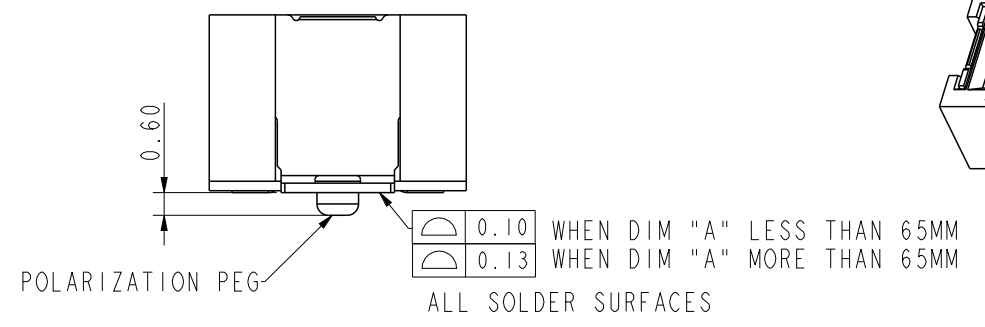
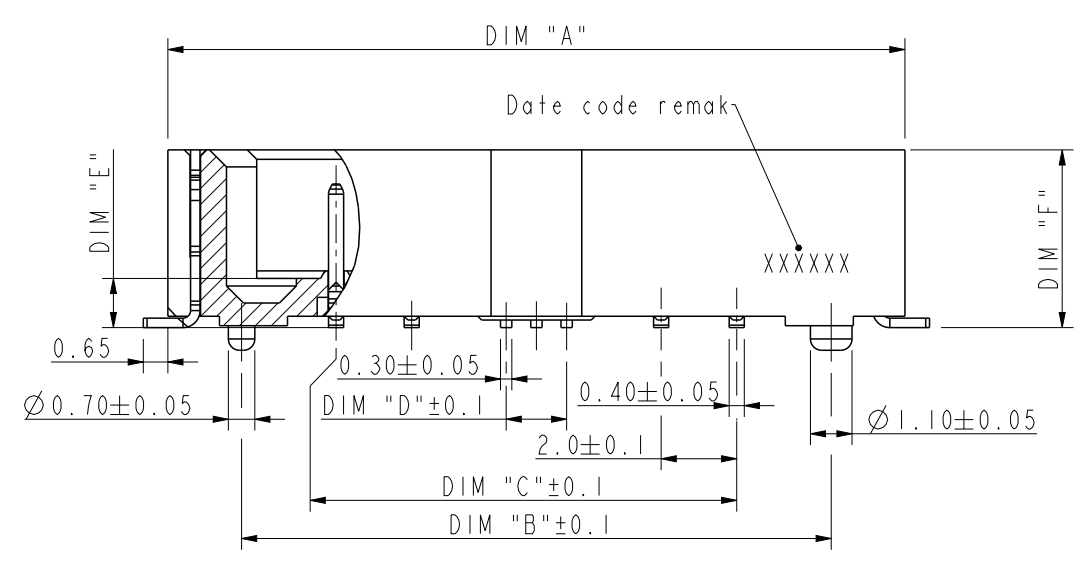
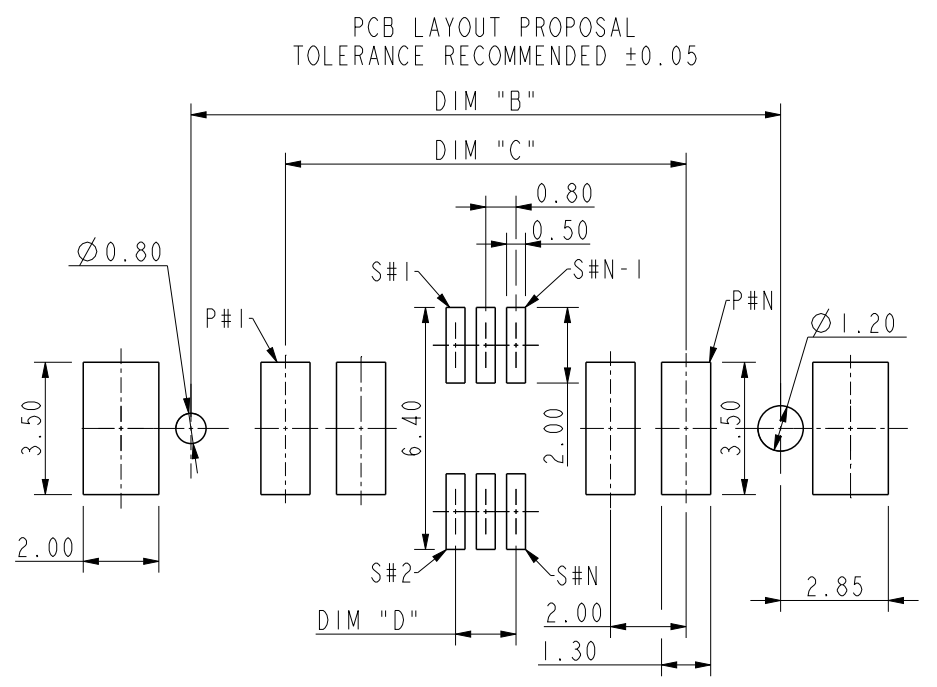
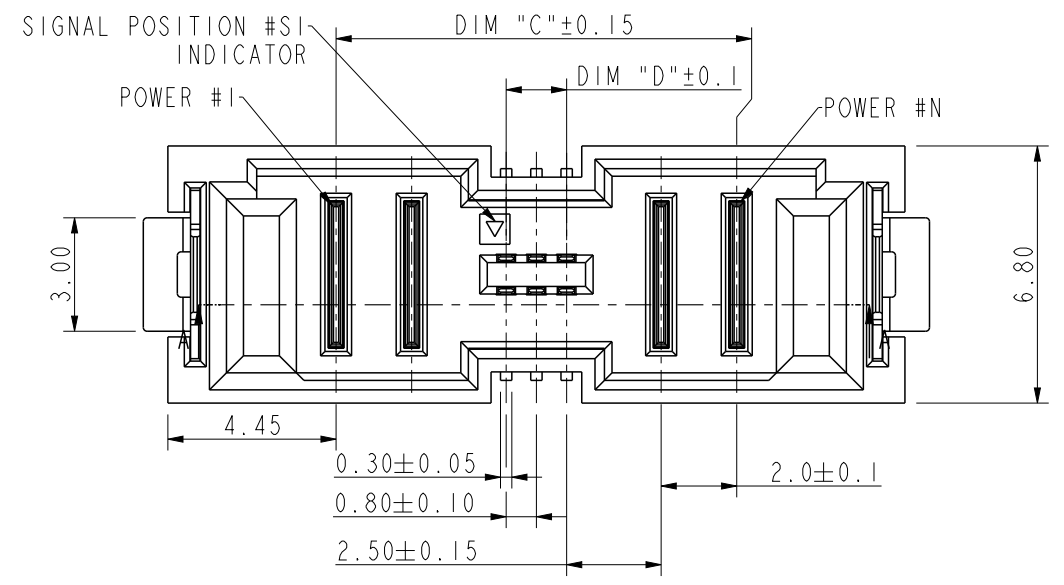
- NOTES:
- MATERIAL:
    - HOUSING: THERMOPLASTICNOTES, NATURAL.
    - SIGNAL CONTACT: COPPER ALLOY
    - POWER CONTACT: COPPER ALLOY
    - HOLD DOWN: COPPER ALLOY
  - PLATING:
    - UNDER PLATING 1-3um NI UNDER PLATING;
    - CONTACT AREA: ACCORDING TO PART NUMBER;
    - SOLDER TAIL:
      - SIGNAL CONTACT: ACCORDING TO PART NUMBER;
      - POWER CONTACT: ACCORDING TO PART NUMBER;
      - HOLD DOWN: TIN PLATING.
  - PRODUCT SPEC GS-12-1675;
  - APPLICATION SPEC GS-20-0696
  - THIS HOUSING WILL WITHSTAND EXPOSURE TO 260°C PEAK TEMPERATURE FOR 20 SECONDS IN A IR REFLOW SOLDERING APPLICATION.
  - THIS PRODUCT MEETS EUROPEAN UNION DIRECTIVES AND OTHER COUNTRY REGULATIONS AS DESCRIBED IN GS-47-0004.

spec ref	dr	Li-Qing Lei	2021/03/25	projection	mm	size	A3	scale	1:1
tolerance std	eng	Li-Qing Lei	2023/06/19		← →	ecn no	ELX-N-48532-1	rel level	Released
TOLERANCES UNLESS OTHERWISE SPECIFIED									
surface	linear	0.X	±0.5	Amphenol FCI	HEADER	dwg no	10159558	rev	C
		0.XX	±0.25						
		0.XXX	±0.10						
	angular	0°	±2°	cat. no.	Product - Customer Drw	sheet 1 of 3			

# HEADER 1/2/3/4

Dimension	Computational Formula
DIM "A"	(SIGNAL POSITION / 2 - 1) X 0.8 + (POWER POSITION - 1) X 2 + 11.9
DIM "B"	(SIGNAL POSITION / 2 - 1) X 0.8 + (POWER POSITION - 1) X 2 + 8
DIM "C"	(SIGNAL POSITION / 2 - 1) X 0.8 + (POWER POSITION - 1) X 2 + 3
DIM "D"	(SIGNAL POSITION / 2 - 1) X 0.8

PRODUCT	DIM "E"	DIM "F"
HEADER 1	1.3	4.7
HEADER 2	2.3	5.7
HEADER 3	3.3	6.7
HEADER 4	4.3	7.7



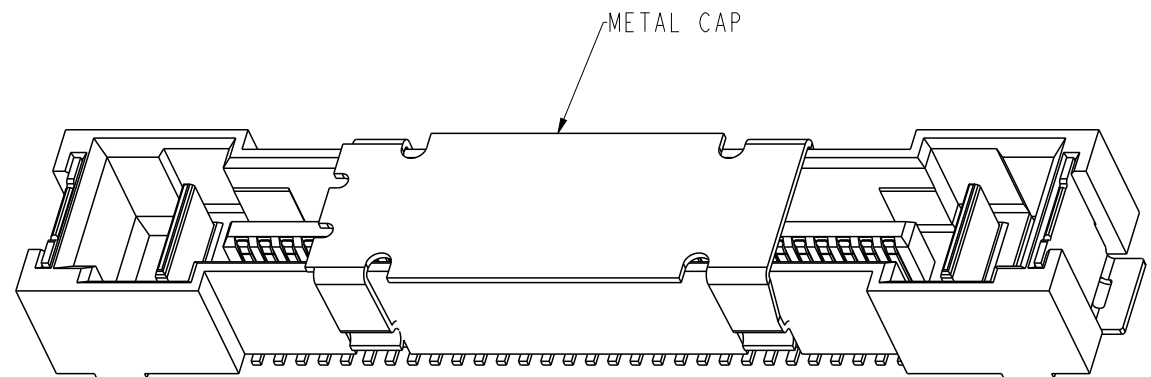
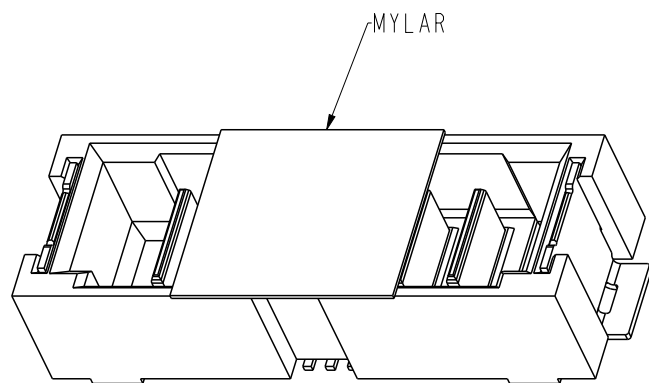
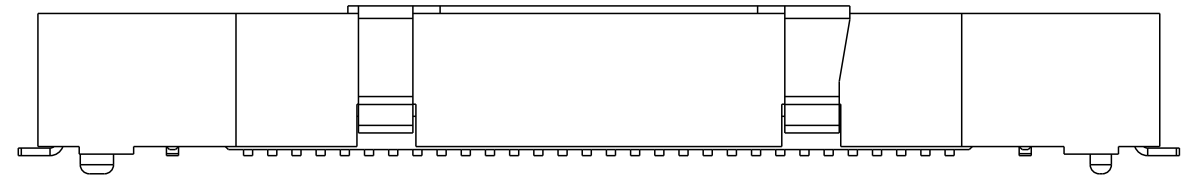
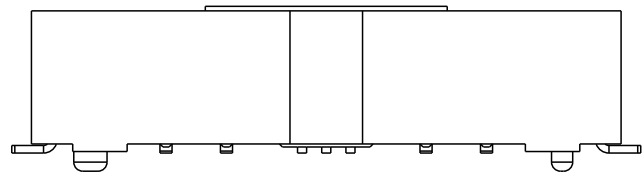
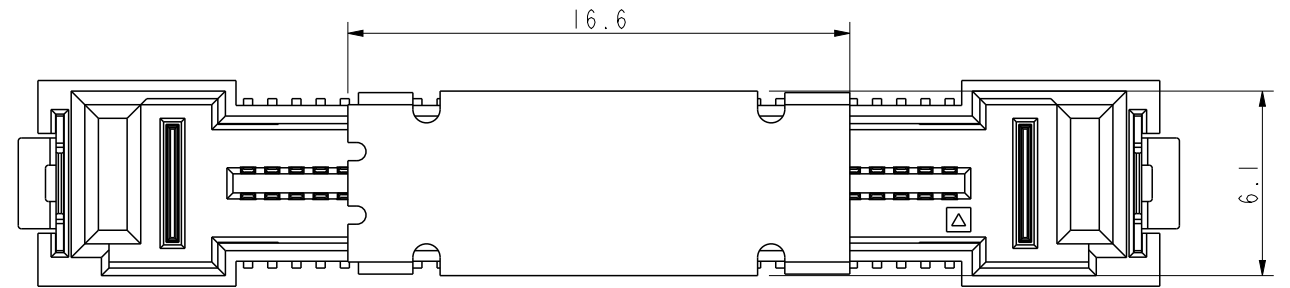
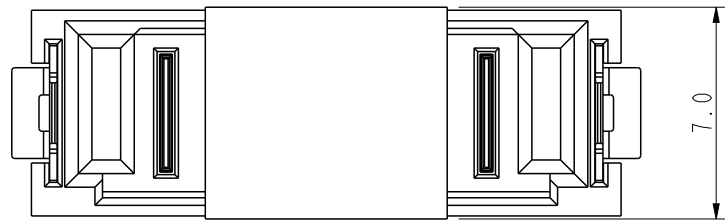
Amphenol FCI

© 2020 Amphenol Corporation

spec ref	dr	Li-Qing Lei	2021/03/25	projection	mm	size	A3	scale	1:1
tolerance std	eng	Li-Qing Lei	2023/06/19			ecn no	ELX-N-48532-1	rel level	Released
TOLERANCES UNLESS OTHERWISE SPECIFIED			chr						
surface	linear	0.X	±0.5		HEADER ComboStak Connector	dwg no	10159558	sheet 2 of 3	C
		0.XX	±0.25						
		0.XXX	±0.10						
	angular	0°	±2°	cat. no.	Product - Customer Drw	PDS: Rev :C			

Creo File:ELX-WC-A3C.REV F.2020-12-21

PICK UP FEATURE	DESCRIPTION
MYLAR	SIGNAL POSITION LESS THAN 40 POS
METAL CAP	SIGNAL POSITION MORE THAN 40 POS



spec ref		dr	Li-Qing Lei	2021/03/25		mm	size	A3	scale	1:1
tolerance std		eng	Li-Qing Lei	2023/06/19			ecn no	ELX-N-48532-1		
TOLERANCES UNLESS OTHERWISE SPECIFIED linear 0.X ±0.5 0.XX ±0.25 0.XXX ±0.10 angular 0° ±2°		chr	-	-			rel level	Released		
		appr	Tim Yao	2023/06/19			product family	HEADER ComboStak Connector	dwg no	10159558
surface		cat. no.			Product - Customer Drw		sheet 3 of 3			