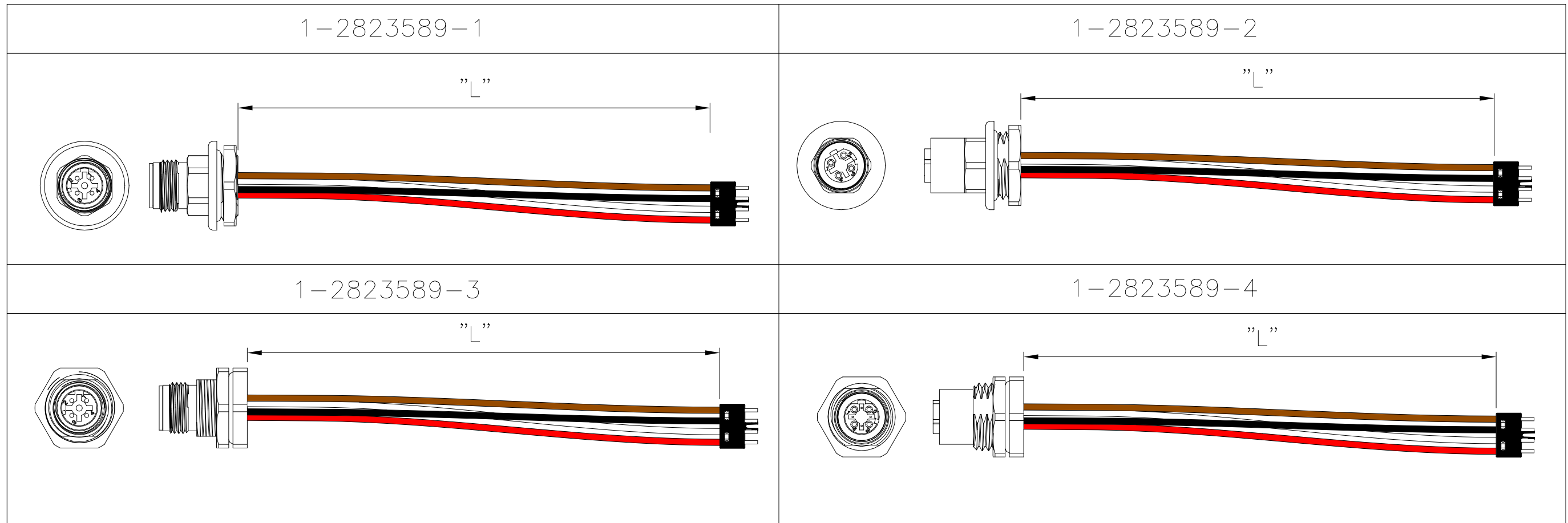


PROJECT	PRJ-14-000004825
PART NO	X-2823589-X
HV DESC	M12, D-CODED, PCB MOUNT CABLES
CUSTOMER	GENERAL MARKET

P	LTR	DESCRIPTION	DATE	DWN	APVD
	A1	ADDED MISSING INFORMATION	29SEP2020	GK	SE

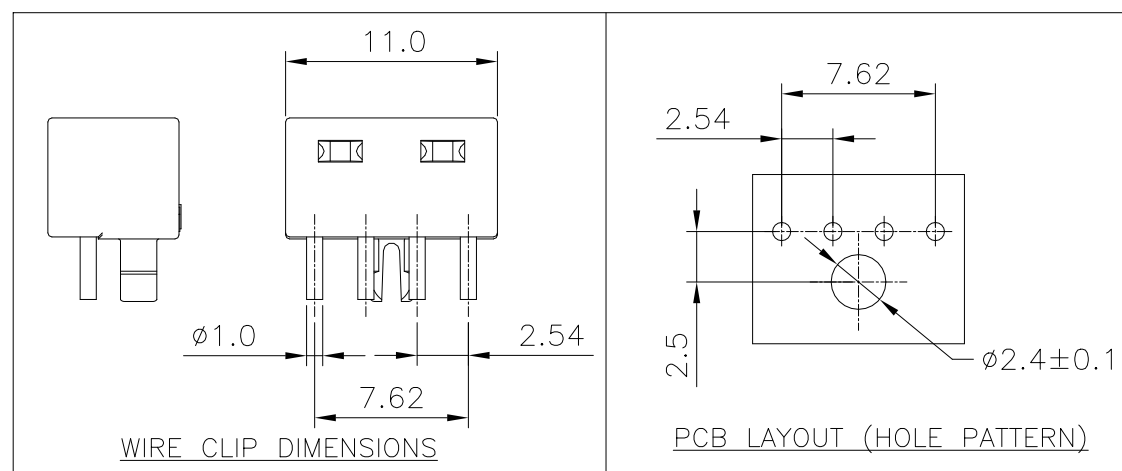
D-CODE 4 POSITION



PART NUMBER	DESCRIPTION	CODE TYPE AND PANEL MOUNTING	CABLE LENGTH "L"
1-2823589-1	M12 D-CODE 4, MALE FRONT PANEL MOUNT	D4 MALE, FRONT MOUNTED	80mm
1-2823589-2	M12 D-CODE 4, FEMALE FRONT PANEL MOUNT	D4 FEMALE, FRONT MOUNTED	80mm
1-2823589-3	M12 D-CODE 4, MALE REAR PANEL MOUNT	D4 MALE, REAR MOUNTED	80mm
1-2823589-4	M12 D-CODE 4, FEMALE REAR PANEL MOUNT	D4 FEMALE, REAR MOUNTED	80mm

A5 PIN#	COLOR	CLIP PIN#
1	BROWN	1
2	BLACK	2
3	WHITE	3
4	RED	4

PIN ASSIGNMENTS D4 CODING

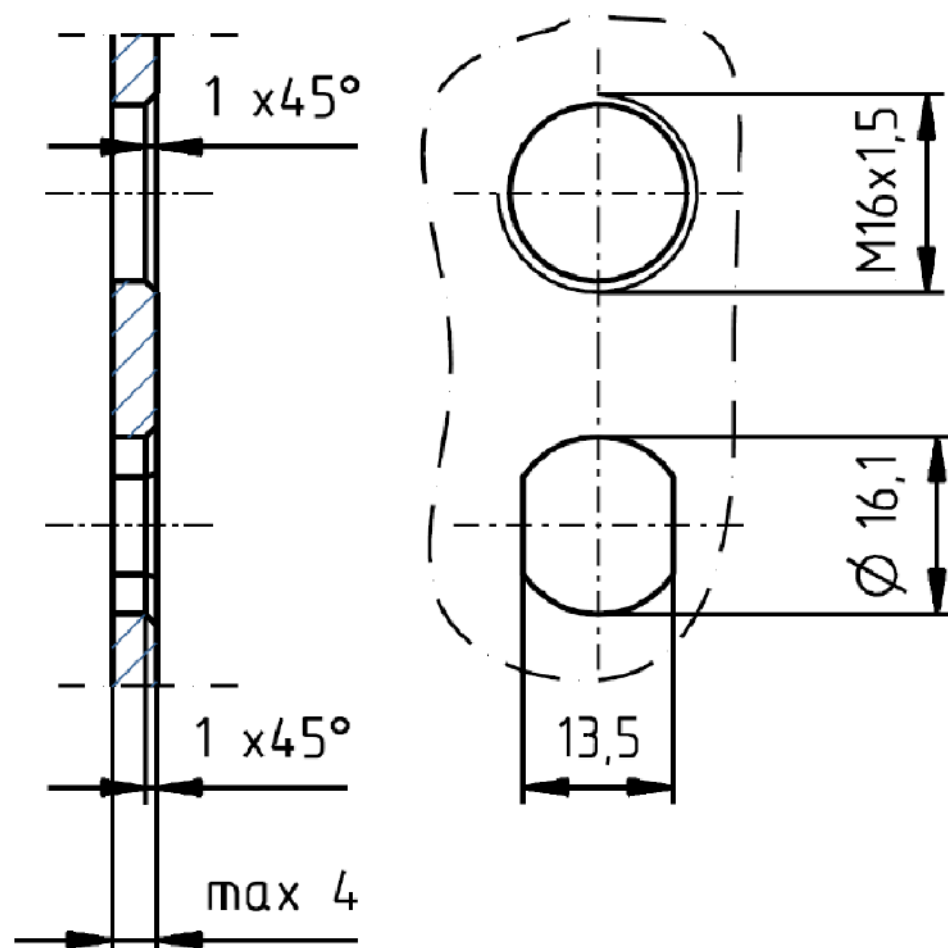


REFER PAGE-2 FOR PANEL CUT-OUT INFORMATION

THIS DRAWING IS A CONTROLLED DOCUMENT.		DWN	16SEP2020	TE Connectivity
		CHK	GOPALAKRISHNA HV 16SEP2020	
		APVD	S EGBERT 16SEP2020	
		PRODUCT SPEC	S EGBERT	
DIMENSIONS: mm		TOLERANCES UNLESS OTHERWISE SPECIFIED:		NAME
		0 PLC ± - 1 PLC ± - 2 PLC ± - 3 PLC ± - 4 PLC ± - ANGLES ± -		M12, D-CODED PCB MOUNT CABLES
MATERIAL		FINISH		SIZE
-		-		A3
		WEIGHT		CAGE CODE
		-		00779
		CUSTOMER DRAWING		DRAWING NO
				C-2823589
		SCALE		RESTRICTED TO
		NTS		-
		SHEET		REV
		1 OF 2		A1

REVISIONS

P	LTR	DESCRIPTION	DATE	DWN	APVD
-	-	SEE SHEET 1	-	-	-



PANEL CUT-OUT INFORMATION

THIS DRAWING IS A CONTROLLED DOCUMENT.		DWN GOPALAKRISHNA HV 16SEP2020		
		CHK S EGBERT 16SEP2020		
		APVD S EGBERT 16SEP2020	NAME	
		PRODUCT SPEC	M12, D-CODED PCB MOUNT CABLES	
		APPLICATION SPEC	-	
		WEIGHT	SIZE A3	CAGE CODE 00779
			DRAWING NO C-2823589	RESTRICTED TO -
		CUSTOMER DRAWING	SCALE NTS	SHEET 2 OF 2
			REV A1	