



Representative photograph, actual product appearance may vary.

Due to regional agency approval requirements, some products may not be available in your area. Please contact your regional Honeywell office regarding your product of choice.

UM50E70A01

UM Series Subminiature Basic Switch, Single Pole Double Throw (SPDT), 250 Vac, 5 A, Pin Plunger Actuator, Quick Connect Termination

Features

- Choice of low energy or power duty electrical ratings (gold or silver contacts)
- Form C single-pole double-throw (SPDT) circuitry
- Rated to 10 A
- Choice of actuation, termination and operating characteristics

Typical Applications

- Appliances
- Vending machines
- Timing devices
- Office equipment
- Computer/business equipment
- Test instruments
- Medical/dental equipment
- Communications equipment
- HVAC equipment
- Manually operated devices
- Valves

Description

UM Series Subminiature Basic Switches are used for simple or precision ON/OFF application needs. The UM Series Switches are slightly larger than the UX Series Switches. These switches combine small size and light weight with ample electrical capacity, low cost and long life.



UM50E70A01

UM Series Subminiature Basic Switch, Single Pole Double Throw (SPDT), 250 Vac, 5 A, Pin Plunger Actuator, Quick Connect Termination

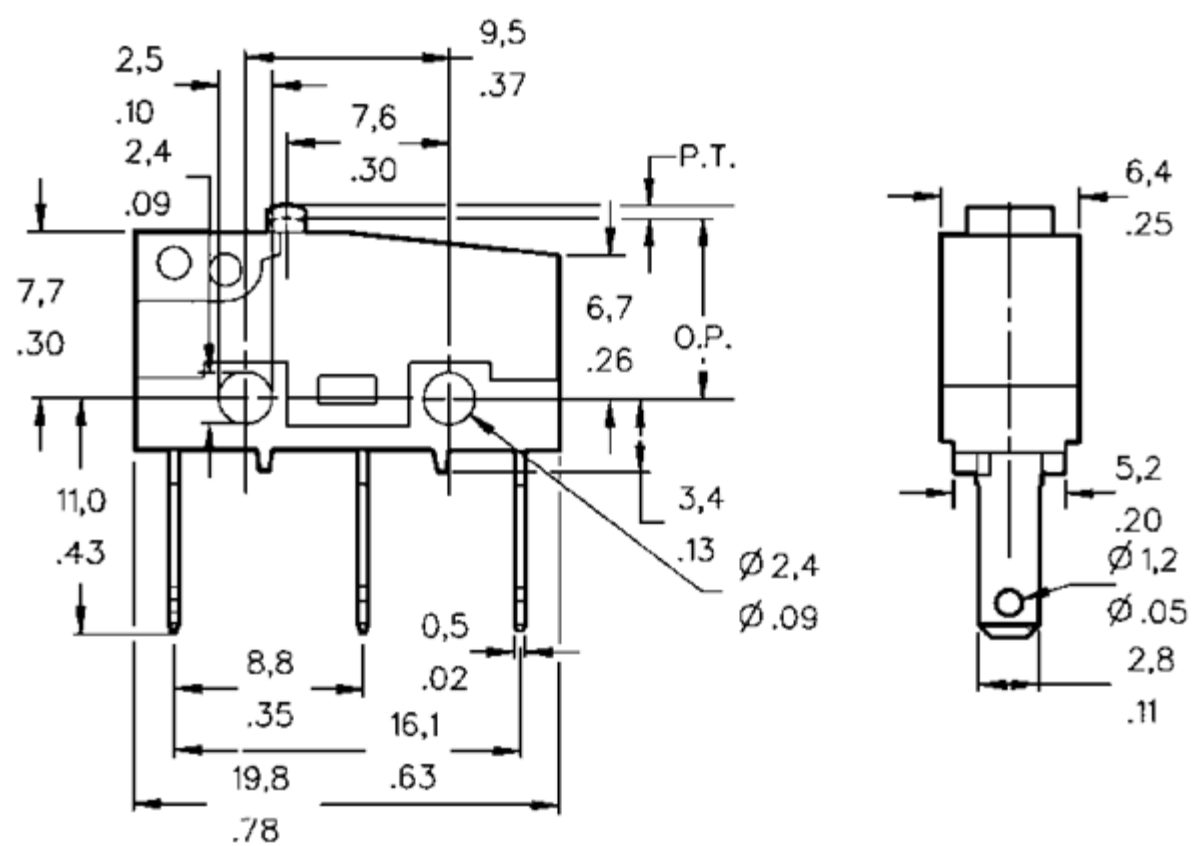
Product Specifications	
Switch Type	Subminiature 12,7 mm H x 6,35 mm W x 20,3 mm L [0.5 in H x 0.25 in W x 0.8 in L]
Sealed	No
Ampere Rating	5 A
Circuitry	Single Pole Double Throw (SPDT)
Actuator	Pin Plunger

Termination	Quick Connect
Operating Temperature Range	-25 °C to 82 °C [-13 °F to 180 °F]
Voltage	250 Vac
Approvals	CE, CSA, SEMKO, UL, VDE
Contact Type	Silver
Operating Force (O.F.)	1,47 N [5.3 oz] max.
Release Force (R.F.)	0,20 N [0.705 oz] min.
Pretravel (P.T.)	0,6 mm [0.024 in] max.
Overtravel (O.T.)	0,4 mm [0.016 in] min.
Differential Travel (D.T.)	0,1 mm [0.004 in] max.
Operating Position (O.P.)	8,4 mm ± 0,3 mm [0.331 in ± 0.012 in]
Housing Material	Thermoplastic
CE mark	61058-1
UL File #	E12252
CSA File #	LR23413M167
Agency Approvals and Standards	1054
Mounting Screw Size	2,3 mm [0.09 in]
Mounting Centers	9,65 mm [0.38 in]
Maximum Tightening Torque	0,29 N m [2.6 in lb]
Weight	0,2 g [0.007 oz]
Package Height	10,9 mm [0.43 in]
Package Width	6,35 mm [0.25 in]
Package Length	19,8 mm [0.78 in]
Availability	Global
UNSPSC Code	30211905
UNSPSC Commodity	30211905 Snap switches
Series Name	UM Series

Honeywell

UM50E70A01

UM Series Subminiature Basic Switch, Single Pole Double Throw (SPDT), 250 Vac, 5 A, Pin Plunger Actuator, Quick Connect Termination



UM50E70A01

UM Series Subminiature Basic Switch, Single Pole Double Throw (SPDT), 250 Vac, 5 A, Pin Plunger Actuator, Quick Connect Termination

⚠ WARNING

PERSONAL INJURY

DO NOT USE these products as safety or emergency stop devices, or in any other application where failure of the product could result in personal injury.

Failure to comply with these instructions could result in death or serious injury.

⚠ WARNING

MI SUSE OF DOCUMENTATION

- The information presented in this product sheet (or catalog) is for reference only. DO NOT USE this document as product installation information.
- Complete installation, operation and maintenance information is provided in the instructions supplied with each product.

Failure to comply with these instructions could result in death or serious injury.

© Copyright Honeywell Inc.1998-2004 All rights reserved.