

(E)

NOTES:

1. MATERIAL:
 - (A). SCREW: SEE LEGEND
 - (B). INSULATOR: PBT, UL94V-0
 - (C). TERMINAL: BRASS, TIN PLATED
2. NUMBER OF CIRCUIT POSITIONS AVAILABLE: 2 THROUGH 15
3. ELECTRICAL RATINGS:
 - (A). MAXIMUM VOLTAGE: 600V
 - (B). MAXIMUM CURRENT: 50A
 - (C). INSULATION RESISTANCE: 500MΩ PER MINUTE
 - (D). DIELECTRIC WITHSTAND VOLTAGE: 2200V AC
4. WIRE RANGE: 8 TO 20 AWG (SOLID OR STRANDED COPPER)
5. RECOMMENDED WIRE STRIP LENGTH: 0.32 IN. (8mm)
6. SCREW TORQUE: 16 LBF. IN. (1.8Nm)
7. OPERATING TEMPERATURE: -40°C TO +120°C

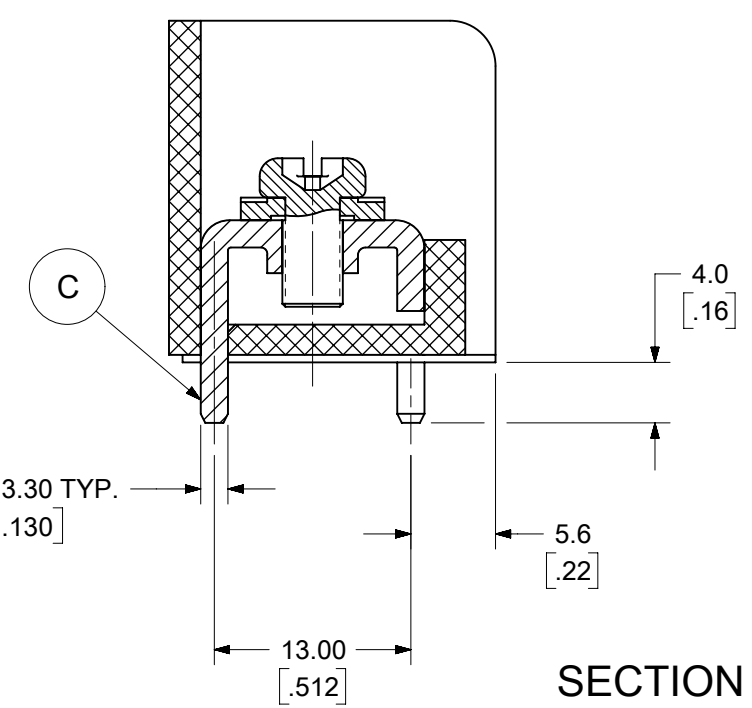
MATERIAL NUMBER LEGEND

389 XX X X XX

INSULATOR STYLE ——— NO. OF CIRCUITS
 69- NO MOUNTING ENDS (02 - 15)

TERMINAL STYLE ——— SCREW STYLE
 0 - PC TAILS 0 - M4 WITH SQUARE WASHER, STEEL, NICKEL PLATED

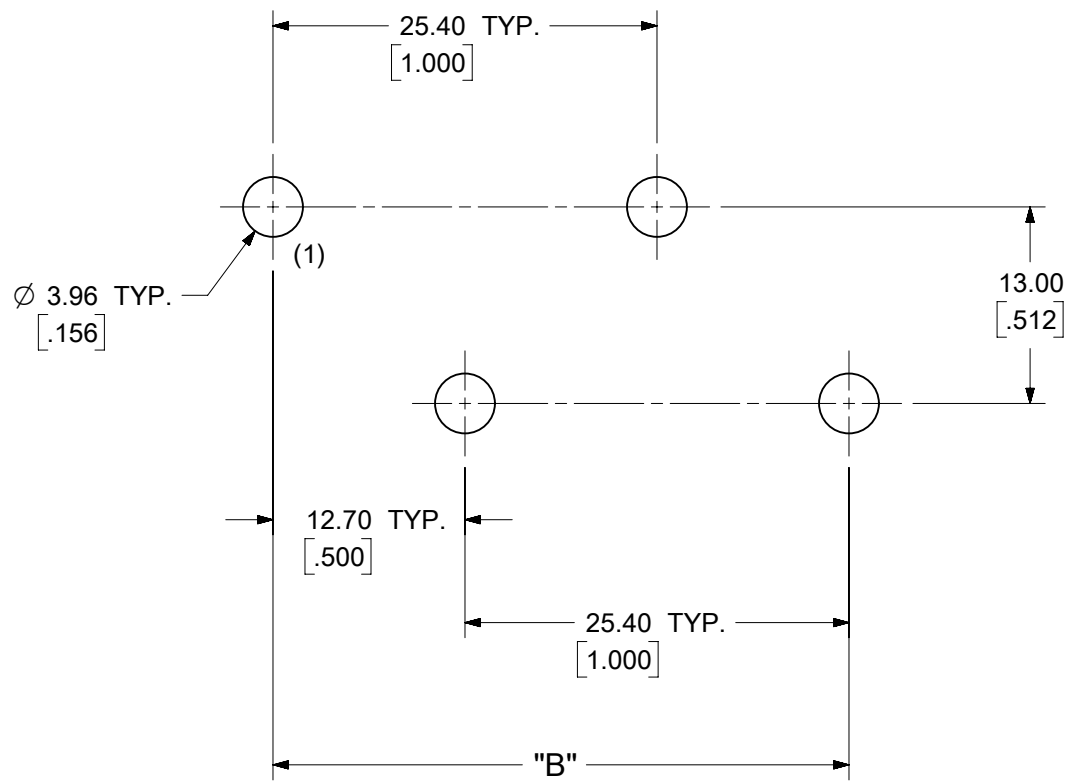
TERM. STYLE 0 - PC TAILS



SECTION A-A

THIS DRAWING CONTAINS INFORMATION THAT IS PROPRIETARY TO MOLEX ELECTRONIC TECHNOLOGIES, LLC AND SHOULD NOT BE USED WITHOUT WRITTEN PERMISSION									
SYMBOLS		DIMENSION UNITS		SCALE		CURRENT REV DESC: UPDATED NOTES			
▽ = 0		MM/INCH		2:1		SECTION			
▽ = 0		GENERAL TOLERANCES (UNLESS SPECIFIED)							
▽ = 0		4 PLACES ± --- ± ---		MM		INCH		EC NO: 632901	
▽ = 0		3 PLACES ± --- ± .005						DRWN: ABENJAMINLW 2020/01/14	
▽ = 0		2 PLACES ± 0.13 ± .01						CHK'D: DACHAMMER 2020/02/25	
▽ = 0		1 PLACE ± 0.3 ± ---						APPR: JFMURPHY 2020/03/09	
▽ = 0		0 PLACES ± --- ± ---						INITIAL REVISION:	
▽ = 0		ANGULAR TOL ± 2°						DRWN: CLYORK 2006/11/22	
▽ = 0		DRAFT WHERE APPLICABLE MUST REMAIN WITHIN DIMENSIONS		THIRD ANGLE PROJECTION		DRAWING		SERIES	
▽ = 0				B-SIZE		38969		MATERIAL NUMBER	
								CUSTOMER	
								SEE LEGEND	
								GENERAL MARKET	
								SHEET NUMBER	
								1 OF 2	

QUANTITY OF CIRCUITS	DIM. "A"		DIM. "B"	
	mm	IN	mm	IN
02	27.9	1.10	12.70	.500
03	40.6	1.60	25.40	1.000
04	53.3	2.10	38.10	1.500
05	66.0	2.60	50.80	2.000
06	78.7	3.10	63.50	2.500
07	91.4	3.60	76.20	3.000
08	104.1	4.10	88.90	3.500
09	116.8	4.60	101.60	4.000
10	129.5	5.10	114.30	4.500
11	142.2	5.60	127.00	5.000
12	154.9	6.10	139.70	5.500
13	167.6	6.60	152.40	6.000
14	180.3	7.10	165.10	6.500
15	193.0	7.60	177.80	7.000



RECOMMENDED PCB LAYOUT

SYMBOLS	THIS DRAWING CONTAINS INFORMATION THAT IS PROPRIETARY TO MOLEX ELECTRONIC TECHNOLOGIES, LLC AND SHOULD NOT BE USED WITHOUT WRITTEN PERMISSION										
	DIMENSION UNITS	SCALE		CURRENT REV DESC: UPDATED NOTES SECTION							
▽ = 0	MM/INCH	2:1		EC NO: 632901							
▽ = 0	GENERAL TOLERANCES (UNLESS SPECIFIED)			DRWN: ABENJAMINLW 2020/01/14						PRODUCT CUSTOMER DRAWING	
▽ = 0				CHK'D: DACHAMMER 2020/02/25						DOCUMENT NUMBER	
▽ = 0				APPR: JFMURPHY 2020/03/09						SD-38969-001	
▽ = 0				INITIAL REVISION:						DOC TYPE	
▽ = 0				DRWN: CLYORK 2006/11/22						PSD	
▽ = 0				APPR: JMACNEIL 2006/12/01						DOC PART	
▽ = 0				MATERIAL NUMBER						001	
▽ = 0				CUSTOMER						E	
▽ = 0				SHEET NUMBER						2 OF 2	
▽ = 0	DRAFT WHERE APPLICABLE MUST REMAIN WITHIN DIMENSIONS			THIRD ANGLE PROJECTION		DRAWING		SERIES		SEE LEGEND	
▽ = 0				B-SIZE		38969		GENERAL MARKET			