

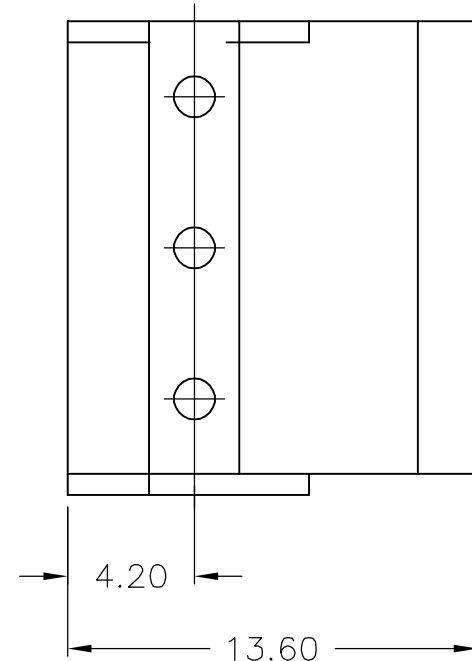
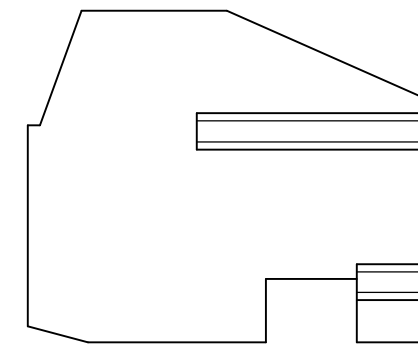
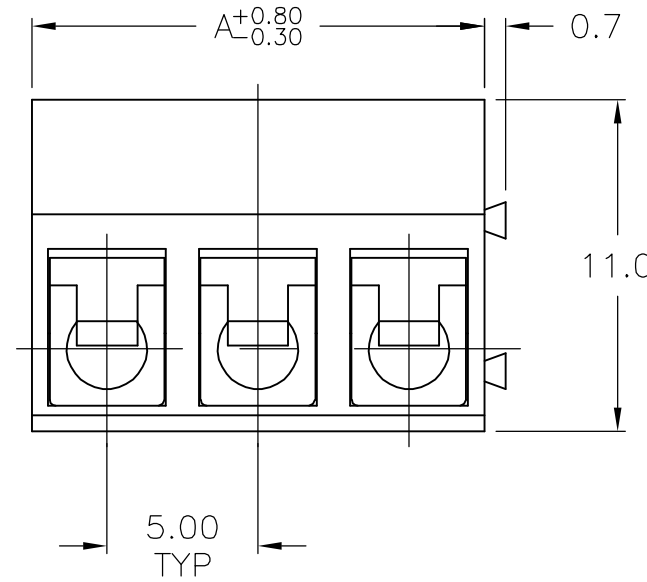
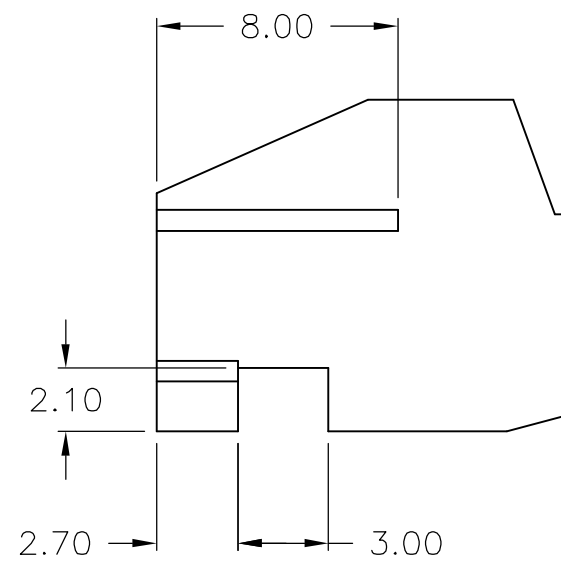
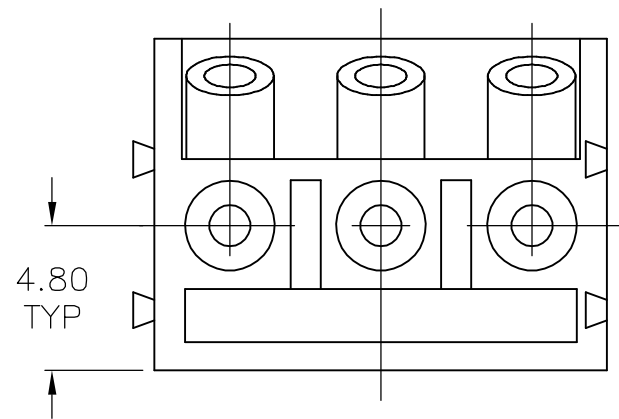
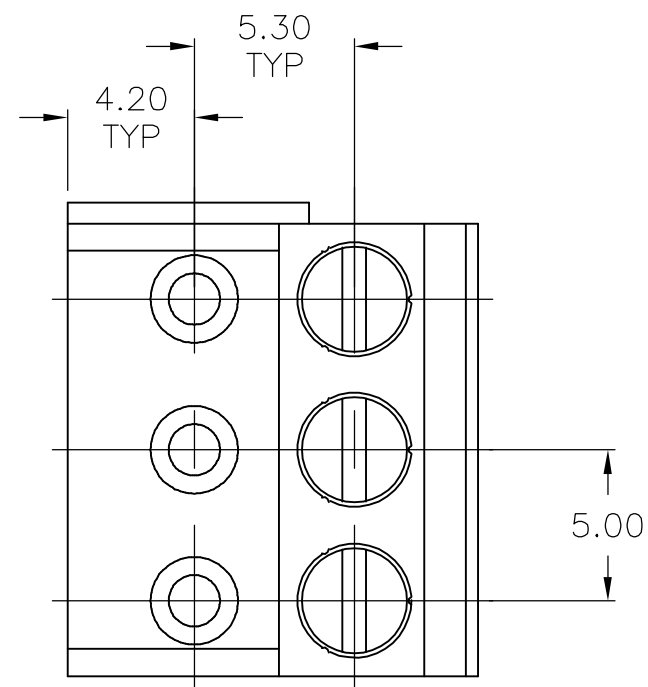
THIS DRAWING IS UNPUBLISHED. RELEASED FOR PUBLICATION  
 © COPYRIGHT BY TYCO ELECTRONICS CORPORATION. ALL RIGHTS RESERVED.

LOC	DIST	REVISIONS			
P	LTR	DESCRIPTION	DATE	DWN	APVD
FT	0				
	D1	REVISED PER ECO-05-621	8/31/05	SS	CR

NOTES:

- ALL DIMENSIONS ARE IN MM.
- RECOMMENDED PC-BOARD HOLES DIAMETER:  $\phi 1.200$  to  $\phi 1.400$ .
- BUCHANAN LOGO TO APPEAR ON HOUSING LOCATION OPTIONAL WHERE SPACE PERMITS.

INK MARKING, WHITE INK FROM LEFT TO RIGHT.



	40.00(1.575)	8	3-796605-8
	25.00(.984)	5	3-796605-5
	20.00(.787)	4	3-796605-4
	120.00(4.724)	24	2-796605-4
	115.00(4.528)	23	2-796605-3
	110.00(4.331)	22	2-796605-2
	105.00(4.134)	21	2-796605-1
	100.00(3.937)	20	2-796605-0
	95.00(3.740)	19	1-796605-9
	90.00(3.543)	18	1-796605-8
	85.00(3.346)	17	1-796605-7
	80.00(3.150)	16	1-796605-6
	75.00(2.953)	15	1-796605-5
	70.00(2.756)	14	1-796605-4
	65.00(2.559)	13	1-796605-3
	60.0(2.362)	12	1-796605-2
	55.00(2.165)	11	1-796605-1
	50.00(1.969)	10	1-796605-0
	45.00(1.772)	9	796605-9
	40.00(1.575)	8	796605-8
	35.00(1.378)	7	796605-7
	30.00(1.181)	6	796605-6
	25.00(.984)	5	796605-5
	20.00(.787)	4	796605-4
	15.00(.591)	3	796605-3
	10.00(.394)	2	796605-2
A		NO. OF POSN	PART NUMBER

THIS DRAWING IS A CONTROLLED DOCUMENT.		DWN E. ZANOLINI 9/25/00	Tyco Electronics Corporation Harrisburg, Pa 17105-3608	
DIMENSIONS: mm		CHK D.A. BIEVENOUR 9/25/00		
TOLERANCES UNLESS OTHERWISE SPECIFIED:		APVD D.A. BIEVENOUR 9/25/00	NAME D.A. BIEVENOUR	
0 PLC ± - 1 PLC ± 0.3 2 PLC ± 0.25 3 PLC ± - 4 PLC ± - ANGLES ± - FINISH -		PRODUCT SPEC -	TERMINAL BLOCK, 90 DEGREE, STACKING W/ WIRE PROTECTION 5.0MM PITCH	
MATERIAL -		APPLICATION SPEC -	SIZE A2	CAGE CODE 00779
		WEIGHT -	DRAWING NO C=796605	RESTRICTED TO -
		CUSTOMER DRAWING	SCALE NTS	SHEET 1 OF 2
			REV D1	

THIS DRAWING IS UNPUBLISHED. RELEASED FOR PUBLICATION  
 © COPYRIGHT BY TYCO ELECTRONICS CORPORATION. ALL RIGHTS RESERVED.

LOC	DIST	REVISIONS			
P	LTR	DESCRIPTION	DATE	DWN	APVD
FT	0	SEE SHEET 1	-	-	-

1. Application and Features:

- 1-1. This terminal block is designed to plug onto loose pins or pin header strips.
- 1-2. With wire guard for wire protection so that the screw doesn't press directly on the wire.
- 1-3. Easy handling due to the pluggable system horizontally or vertically.

2. Technical Data:

2-1. Material(blue)

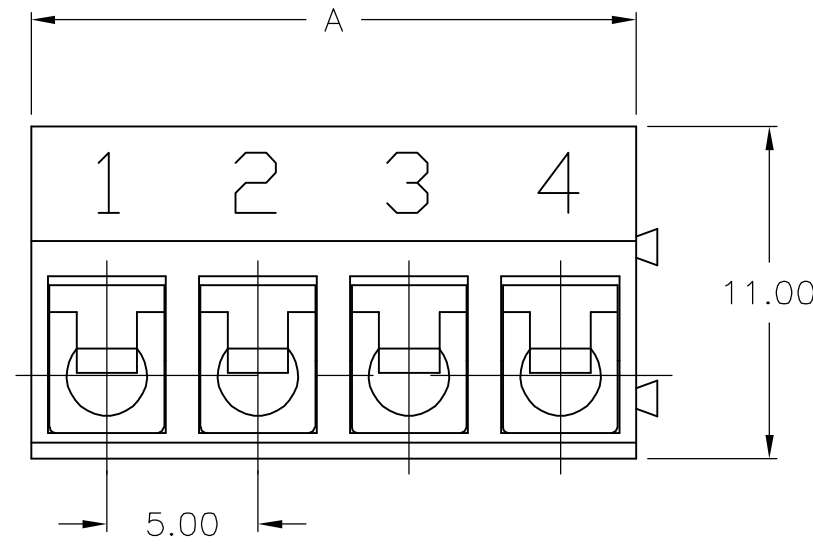
- 2-1-1. Housing: PBT (Glass Filled).
- 2-1-2. Metal Housing: Brass(Cu Zn)  
Cu, Tin Plated.
- 2-1-3. Wire Guard: Cu Be, Tin Plated.
- 2-1-4. Screw: Steel galvanized and chromated, M2.6.

2-3. Electrical:

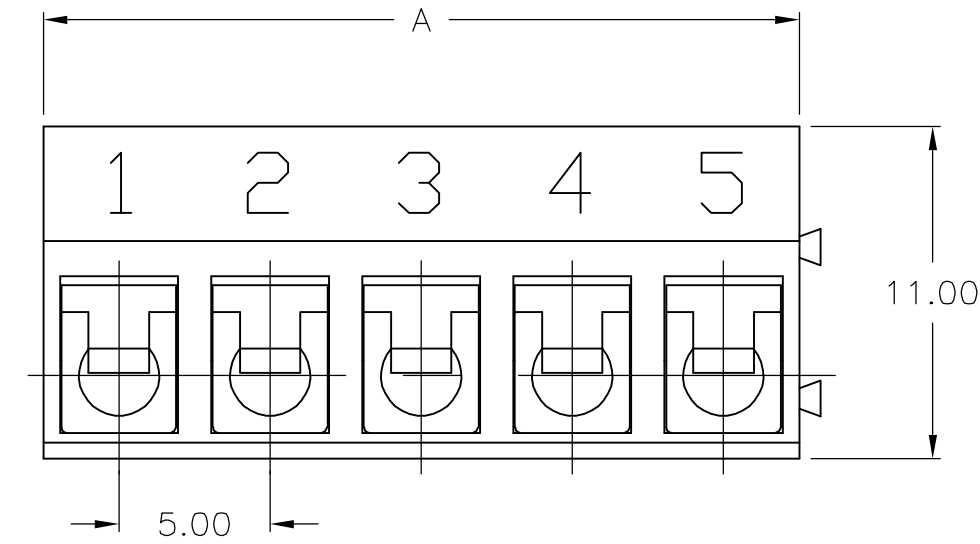
- 2-3-1. Current rating: 10 amps/way max.
- 2-3-2. Contact resistance: 20mΩ (Max).
- 2-3-3. Insulation resistance: 5000MΩ/1000V.
- 2-3-4. Withstanding voltage: 1500 VAC/min, test time= 60sec/1pc.
- 2-3-5. Operation voltage: 300 VAC.
- 2-3-6. Wire Range: 14-22 AWG.

2.4 Mechanical:

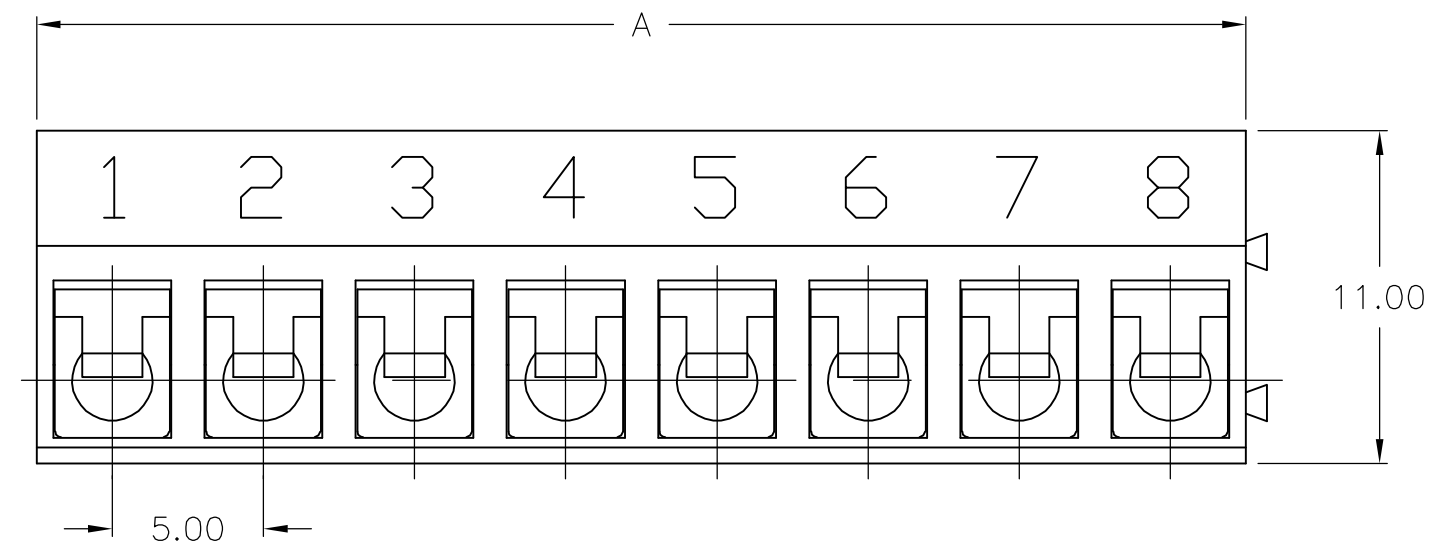
- 2-4-1. Torque: 4 Kg.cm (Max).
- 2-4-2. Contact retention Force: 0.2Kg/cm (min).
- 2-4-3. Operating temperature: -55°C to +105°C.
- 2-4-4. Solderability: 95% coverage (min).  
test temperature=230°C±10°C  
test time= 3sec±0.5sec.



3-796605-4 AS SHOWN



3-796605-5 AS SHOWN



3-796605-8 AS SHOWN

THIS DRAWING IS A CONTROLLED DOCUMENT.		DWN E. ZANOLINI	9/25/00	<b>tyco</b> Tyco Electronics Corporation Harrisburg, Pa 17105-3608	
DIMENSIONS: mm		CHK -	-	NAME TERMINAL BLOCK, 90 DEGREE, STACKING W/ WIRE PROTECTOR 5.0MM PITCH	
TOLERANCES UNLESS OTHERWISE SPECIFIED:		APVD -	-	SIZE A2	CAGE CODE 00779
0 PLC ± -		PRODUCT SPEC -	-	DRAWING NO C=796605	RESTRICTED TO -
1 PLC ± 0.3		APPLICATION SPEC -	-	SCALE NTS	SHEET 2 OF 2
2 PLC ± 0.25		WEIGHT -	-	REV D1	
3 PLC ± -		CUSTOMER DRAWING			
4 PLC ± -					
ANGLES ± -					
FINISH -					