

THIS DRAWING IS UNPUBLISHED.

RELEASED FOR PUBLICATION

20

© COPYRIGHT 20 BY -

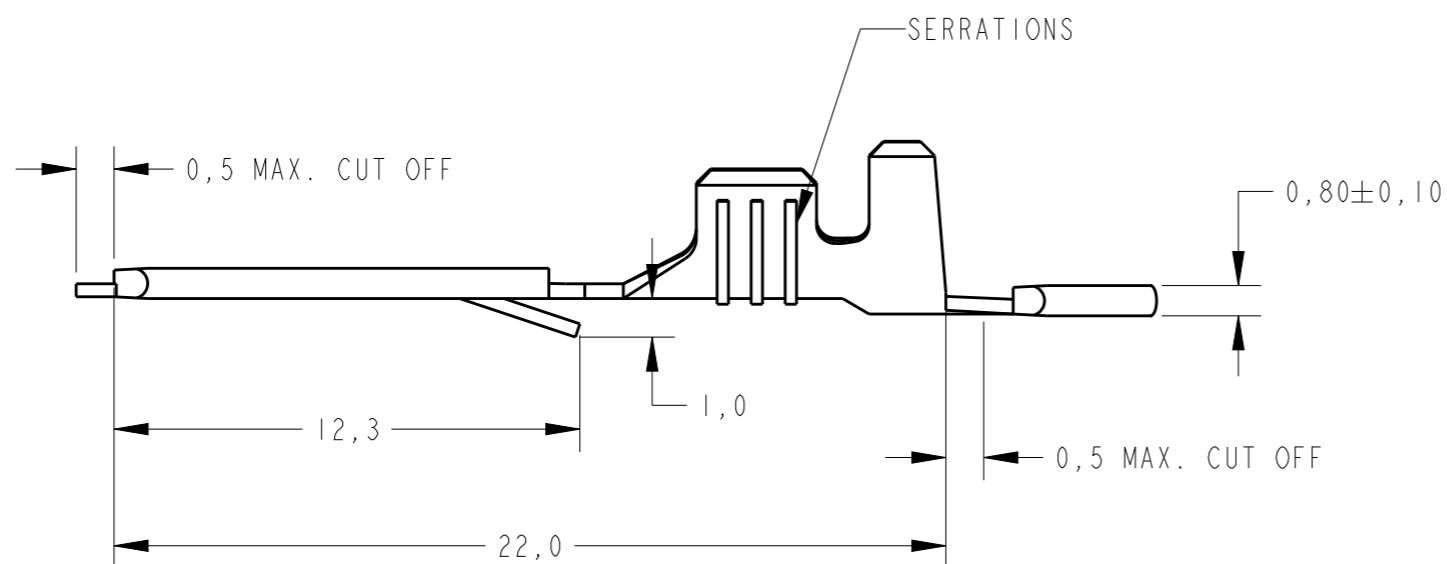
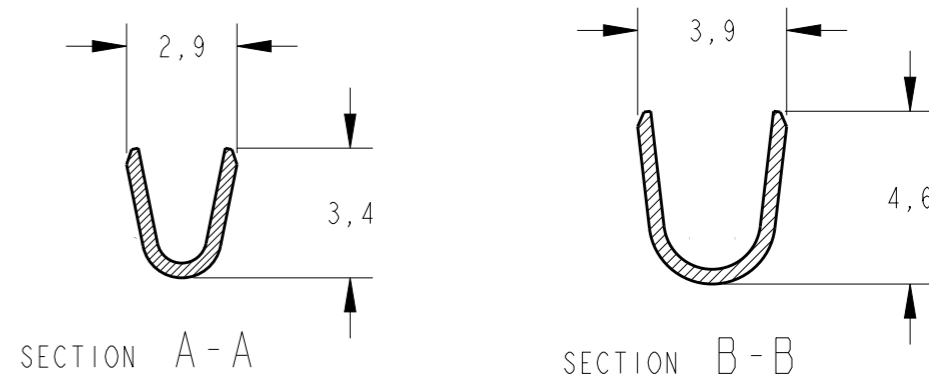
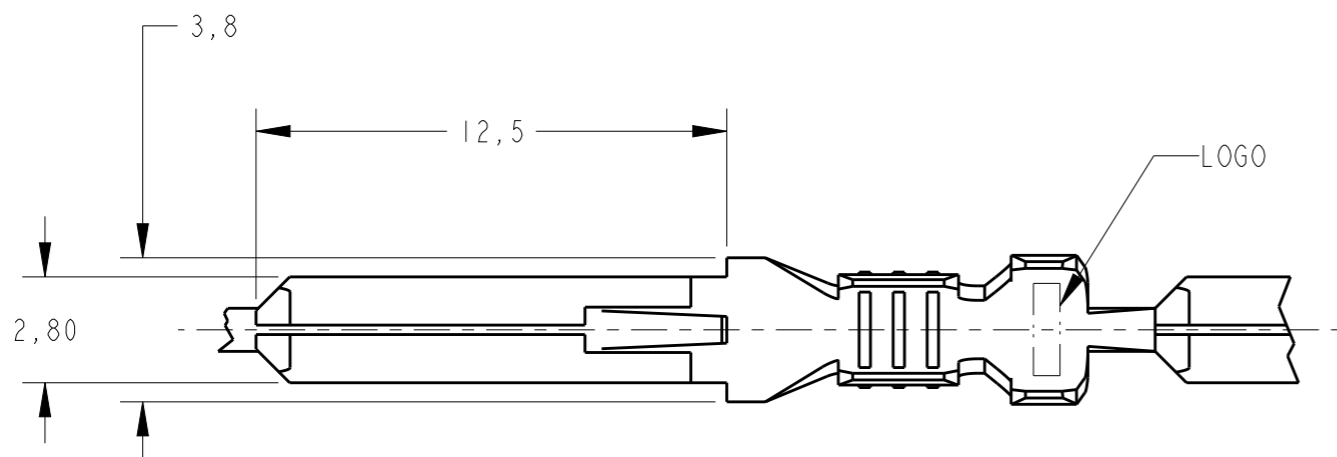
ALL RIGHTS RESERVED.

LOC AP

DIST -

REVISIONS

P	LTR	DESCRIPTION	DATE	DWN	APVD
D2		REDRAW ECO 14-013260	30SEP2014	HC	WLS
D3		REVISED BY ECO 16-005803	28JUN2016	HC	WLS



OBSOLETE	TINPLATED	BRASS	160719-4
	UNPLATED		160719-3
OBSOLETE	TINPLATED	PH. BRONZE	160719-2
	UNPLATED		160719-1
	FINISH	MATERIAL	PART NUMBER

THIS DRAWING IS A CONTROLLED DOCUMENT.

DWN 30SEP2014 H.C.CANTERI

CHK 30SEP2014 W.L.STEFANI

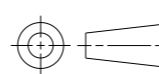
APVD -

STE TE Connectivity

NAME .110 SRS. FASTIN-FASTON TAB

WIRE RANGE 0,5-1,43mm²

DIMENSIONS: mm



TOLERANCES UNLESS OTHERWISE SPECIFIED:

0 PLC	± -
1 PLC	± 0,3
2 PLC	± -
3 PLC	± -
4 PLC	± -
ANGLES	± 1°

INS. RANGE 2,3-3,0 DIA.

MATERIAL -

FINISH -

PRODUCT SPEC

108-37015

APPLICATION SPEC

114-2065

WEIGHT -

SIZE	CAGE CODE	DRAWING NO	RESTRICTED TO
A3	00779	160719	-

Customer Drawing

SCALE 4/1 SHEET 1 OF 1 REV D3