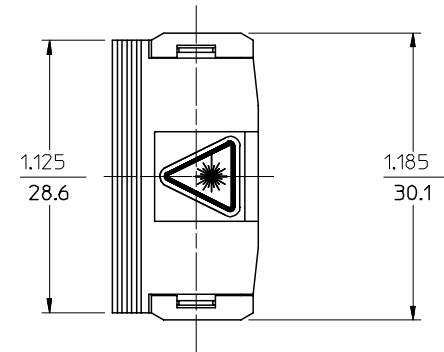
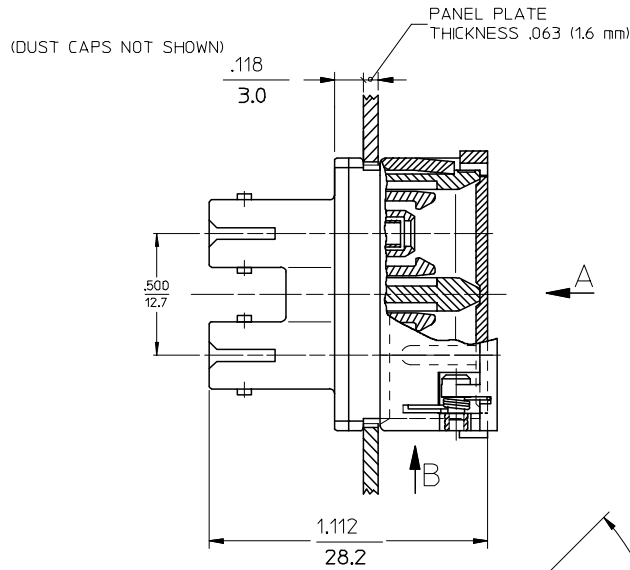
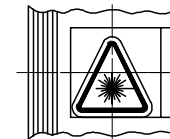
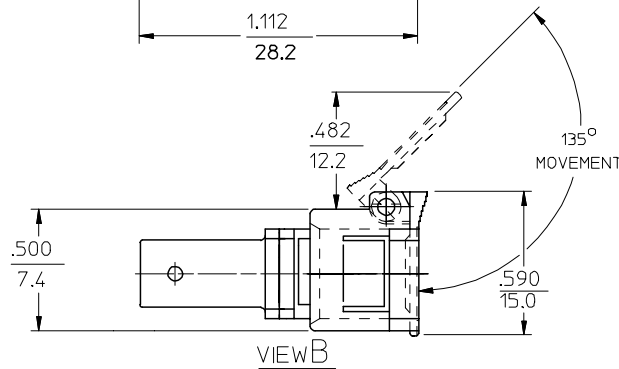


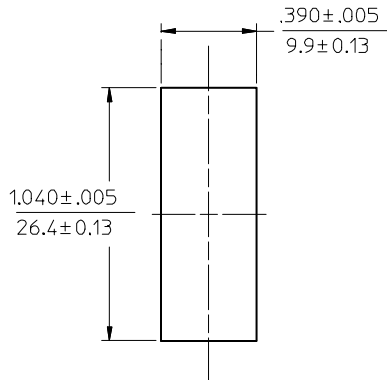
| P/N OF ADAPTER | MATERIAL OF SLEEVE | TYPE        | COLOR |
|----------------|--------------------|-------------|-------|
| 106166-1600    | ZR                 | SINGLE MODE | BLUE  |
| 106167-1600    | PHOSPHOR BRONZE    |             |       |
| 106166-1610    | ZR                 | MULTIMODE   | BEIGE |
| 106167-1610    | PHOSPHOR BRONZE    |             |       |
| 106166-1630    | ZR                 |             |       |
| 106167-1630    | PHOSPHOR BRONZE    |             |       |
| 106167-1620    | ZR                 | AQUA        |       |



VIEW A  
VARIATION 2  
FOR LABEL INSTALLATION



VIEW A  
VARIATION 1  
FOR LABEL INSTALLATION



RECOMMENDED MOUNTING PATTERN (SHIELD NOT SHOWN)

- NOTES:  
1. LABEL MUST BE INSTALLED AND ORIENTED BY CUSTOMER. (SEE VIEW A)  
2. DUST CAPS ARE NOT SHOWN BUT INCLUDED.

|   |                               |   |                |                 |            |                                  |                        |  |
|---|-------------------------------|---|----------------|-----------------|------------|----------------------------------|------------------------|--|
| ENTER DESCRIPTION<br>EC NO: MF2006-0237<br>DRWN: PGI/BLIN 2005/11/29<br>CHKD: 2005/11/29<br>APPR: IGUMIN 2005/11/29 | QUALITY SYMBOLS<br>▽=0<br>▽=0 | GENERAL TOLERANCES (UNLESS SPECIFIED)   |                | DIMENSION STYLE | SCALE      | DESIGN UNITS                     | THIRD ANGLE PROJECTION |  |
|   |                               | mm  | INCH           | IN/MM           | 4:1        | INCH                             |                        |  |
|   |                               | 4 PLACES ± ---  | ± ---          | DRAWN BY        | DATE       | TITLE                            |                        |  |
|   |                               | 3 PLACES ± ---  | ± ---          | RPACIFICI       | 2005/10/11 | SC-ST DUPLEX ADAPTER WITH SHIELD |                        |  |
| 2 PLACES ± ---  | ± ---                         | CHECKED BY  | DATE           | APPROVED BY     |            |                                  |                        |  |
| 1 PLACE ± ---   | ± ---                         | ANGULAR ±1/2°   |                | DATE            |            | MOLEX INCORPORATED               |                        |  |
| DRAFT WHERE APPLICABLE MUST REMAIN WITHIN DIMENSIONS  |                               | MATERIAL NO.  | DOCUMENT NO.   |                 | SHEET NO.  |                                  |                        |  |
|   |                               | SEE TABLE   | SD-10616X-16X0 |                 | 1 OF 1     |                                  |                        |  |
|   |                               | THIS DRAWING CONTAINS INFORMATION THAT IS PROPRIETARY TO MOLEX INCORPORATED AND SHOULD NOT BE USED WITHOUT WRITTEN PERMISSION |                |                 |            |                                  |                        |  |