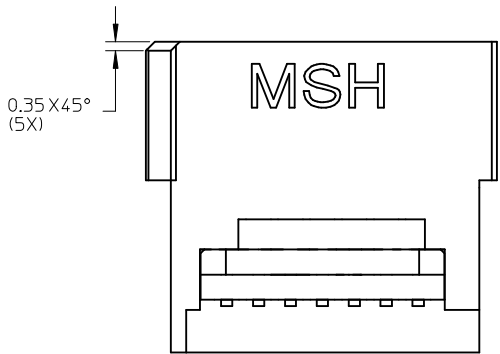
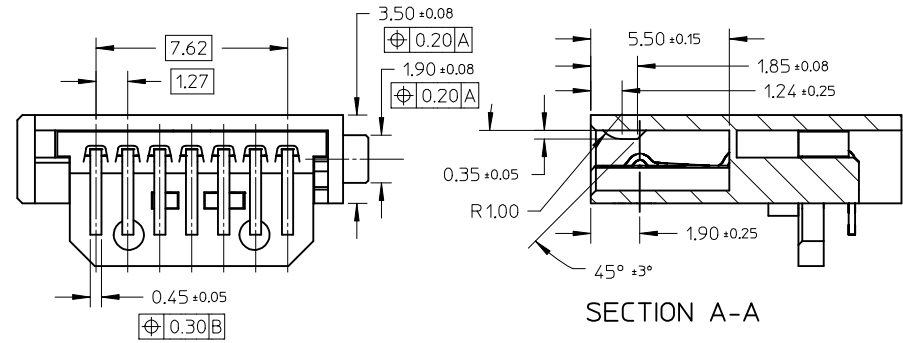
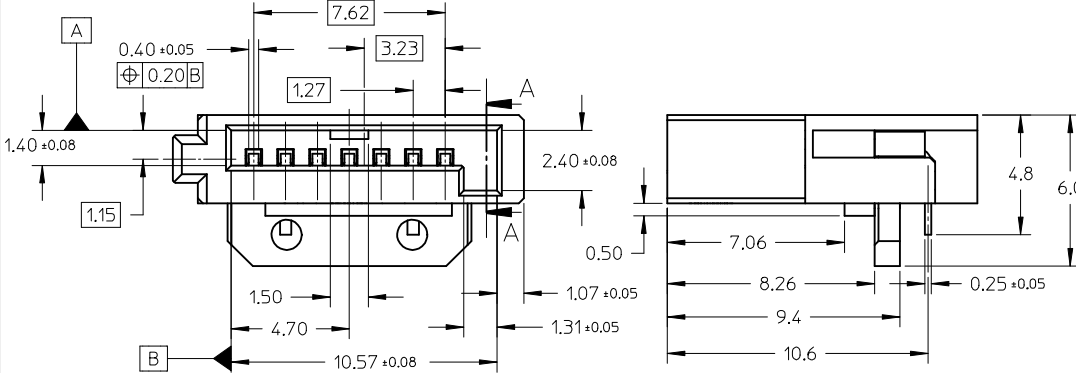


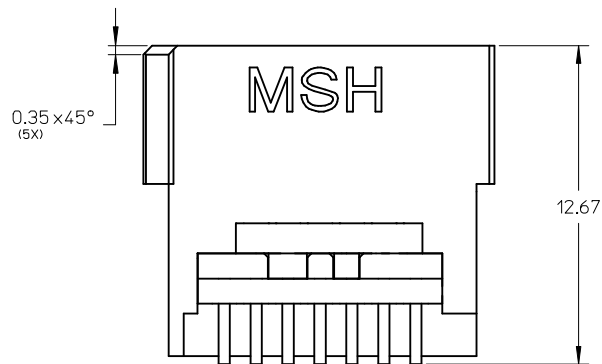
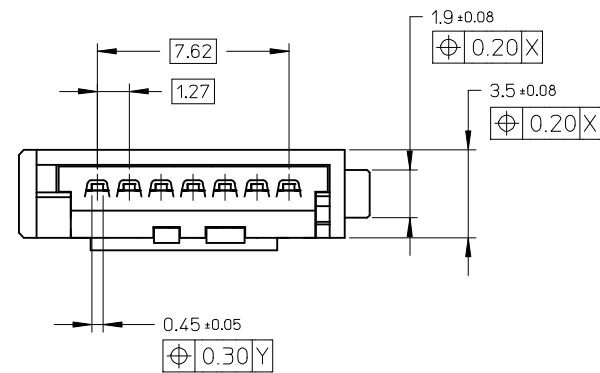
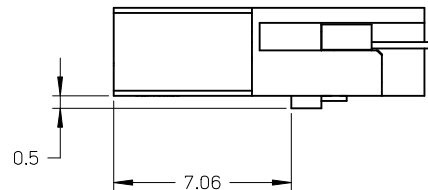
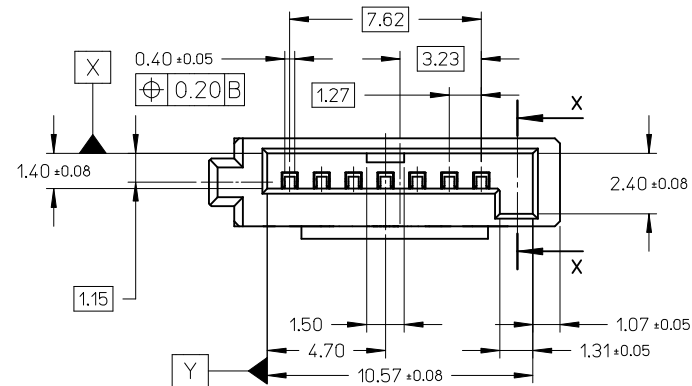
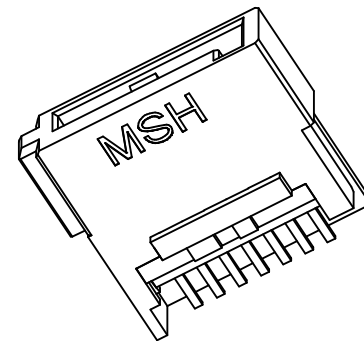
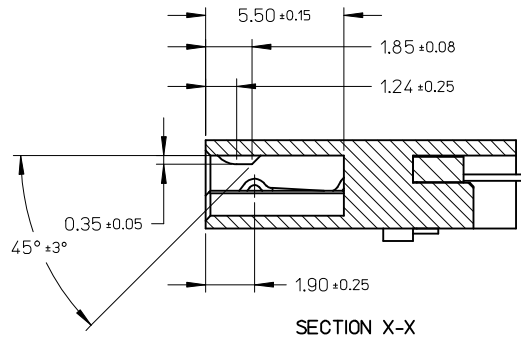
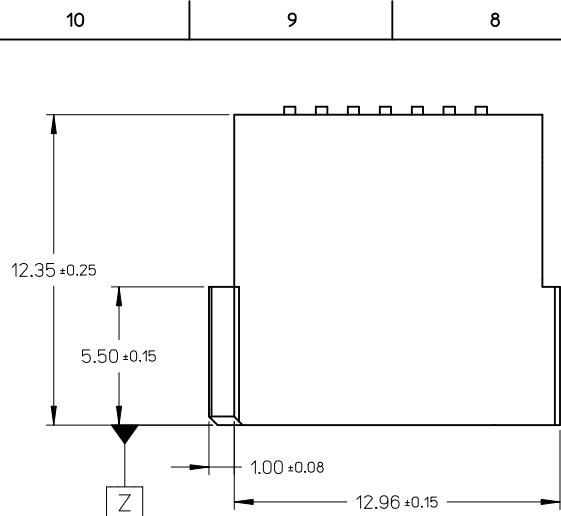
NOTES:

- 1.MATERIAL:
 - HOUSING: THERMAL PLASTIC, GLASS FILLED, UL94V-0, COLOR: BLACK;
 - COVER: THERMAL PLASTIC, COLOR: BLACK;
 - TERMINAL: COPPER ALLOY.
- 2.TERMINAL:
 - CONTACT AREA: GOLD PLATED;
 - SOLDER TAIL: TIN, THICKNESS=1.27 MICRONS MINIMUM;
 - UNDER PLATE: NICKEL, THICKNESS=1.27 MICRONS MINIMUM.
- 3.PACKAGING: TRAY, REFER TO PK-67489-001.
- 4.PRODUCT SPECIFICATION REFER TO PS-67490-00*.
- 5.MATING PART 67490,67491,67811,47080 SERIES.
- 6.PRODUCT COMPLIANT TO RoHS DIRECTIVE 2002/95/EC AND ELV DIRECTIVE 2000/53/EC.



P/N	COMMENTS
67489-1001	GOLD FLASH
67489-1002	GOLD PLATED 0.76 MICRONS
67489-1005	GOLD PLATED 0.38 MICRONS
67489-1081	GOLD FLASH & HF
67489-1082	GOLD PLATED 0.76 MICRONS & HF
67489-1085	GOLD PLATED 0.38 MICRONS & HF

REVISED EC NO: SH2011-0353 DRWN: XJSONG CHKD: CHYD APPR: RZHANG 2011/05/25 2011/05/26	QUALITY SYMBOLS $F_s = 0$ $F_c = 0$ $F_p = 0$	GENERAL TOLERANCES (UNLESS SPECIFIED)		DIMENSION STYLE MM ONLY		SCALE 1:1	DESIGN UNITS METRIC	THIRD ANGLE PROJECTION	
		4 PLACES ± --- ± ---	mm INCH	DRAWN BY GRATE MA	DATE 2004/03/25	TITLE SERIAL ATA RECEPTACLE SIGNAL CABLE CONNECTOR WITHOUT METAL LATCH			
		3 PLACES ± --- ± ---		CHECKED BY YAJUN	DATE 2004/03/25	MOLEX INCORPORATED			
		2 PLACES ± 0.2 ± --- 1 PLACE ± 0.3 ± ---		APPROVED BY SAM	DATE 2004/03/25	MATERIAL NO. SEE TABLE	DOCUMENT NO. SD-67489-003	SHEET NO. 1 OF 2	
DRAFT WHERE APPLICABLE MUST REMAIN WITHIN DIMENSIONS				SIZE A3		THIS DRAWING CONTAINS INFORMATION THAT IS PROPRIETARY TO MOLEX INCORPORATED AND SHOULD NOT BE USED WITHOUT WRITTEN PERMISSION			



THESE ARE ONLY FOR 67489-80**

P/N	PLATING TYPE	REMARK
67489-8001	GOLD FLASH	
67489-8002	GOLD PLATED 0.76 MICRONS	WITH HALOGEN
67489-8005	GOLD PLATED 0.38 MICRONS	
67489-8081	GOLD FLASH	
67489-8082	GOLD PLATED 0.76 MICRONS	HALOGEN FREE
67489-8085	GOLD PLATED 0.38 MICRONS	

SEE SHEET1 EC NO: SH2011-0353 DRWN: XJ.SONG CHKD: APPR: R.ZHANG REV	QUALITY SYMBOLS $F_A=0$ $F_C=0$ $F_P=0$	GENERAL TOLERANCES (UNLESS SPECIFIED) <table border="1"> <thead> <tr> <th></th> <th>mm</th> <th>INCH</th> </tr> </thead> <tbody> <tr> <td>4 PLACES</td> <td>± ---</td> <td>± ---</td> </tr> <tr> <td>3 PLACES</td> <td>± ---</td> <td>± ---</td> </tr> <tr> <td>2 PLACES</td> <td>± 0.2</td> <td>± ---</td> </tr> <tr> <td>1 PLACE</td> <td>± 0.3</td> <td>± ---</td> </tr> </tbody> </table>		mm	INCH	4 PLACES	± ---	± ---	3 PLACES	± ---	± ---	2 PLACES	± 0.2	± ---	1 PLACE	± 0.3	± ---	DIMENSION STYLE MM ONLY	SCALE 1:1	DESIGN UNITS METRIC	THIRD ANGLE PROJECTION
		mm	INCH																		
	4 PLACES	± ---	± ---																		
	3 PLACES	± ---	± ---																		
2 PLACES	± 0.2	± ---																			
1 PLACE	± 0.3	± ---																			
DRAWN BY GRATE MA CHECKED BY YA JUN APPROVED BY SAM MATERIAL NO.	DATE 2004/03/25 DATE 2004/03/25 DATE 2004/03/25	TITLE SERIAL ATA RECEPTACLE SIGNAL CABLE CONNECTOR WITHOUT METAL LATCH	MOLEX INCORPORATED	DOCUMENT NO. SD-67489-003	SHEET NO. 2 OF 2																
DRAFT WHERE APPLICABLE MUST REMAIN WITHIN DIMENSIONS	SIZE A3	THIS DRAWING CONTAINS INFORMATION THAT IS PROPRIETARY TO MOLEX INCORPORATED AND SHOULD NOT BE USED WITHOUT WRITTEN PERMISSION																			