

F
 D
 C
 B
 A

THIS INFORMATION IS CONFIDENTIAL AND PROPRIETARY TO CW INDUSTRIES INCORPORATED AND ITS AFFILIATES. IT MAY NOT BE DISCLOSED TO ANYONE OTHER THAN CW INDUSTRIES PERSONNEL, WITHOUT WRITTEN AUTHORIZATION FROM CW INDUSTRIES INCORPORATED, SOUTHAMPTON, PENNSYLVANIA USA.

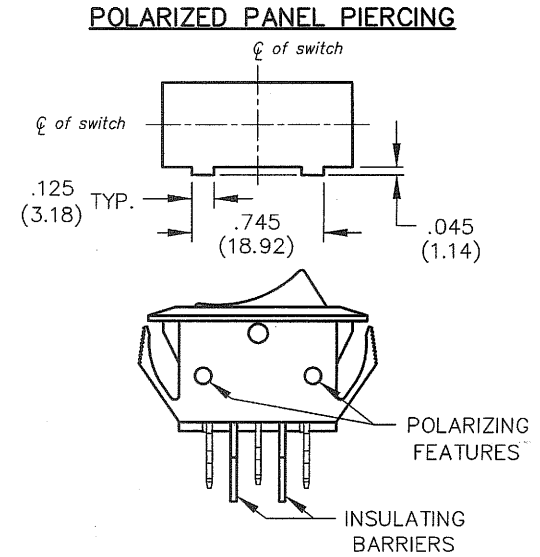
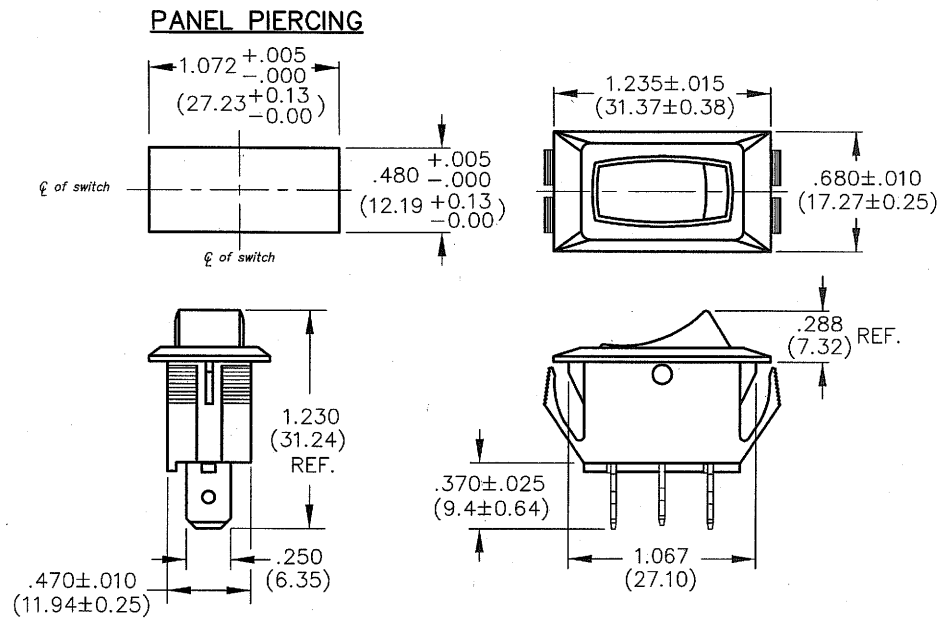
DIMENSIONS IN INCHES (MILLIMETERS)
DO NOT SCALE DRAWING

Dwg. No.
GRS-2012-3XXX

PANEL THICKNESS

.025" to .180"
(0.64mm to 4.57mm)

OPTIONS:



TERMINAL OPTIONS:

.250" Wide Terminal is standard as Shown in drawing.
.187" Wide Terminal is optional.

	1	2	3	4	5	6	7	8	9	10
B-FORMAT 2002 REVISIONS RELEASED. DGW 7-06-2010 JUL 28 2010								CW INDUSTRIES Southampton, Pa. 18966 TOLERANCES UNLESS OTHERWISE SPECIFIED 2 Place Decimal $\pm .010$ METRIC 3 Place Decimal $\pm .005$ 1 Place Dec. $\pm .25\text{mm}$ Angles $\pm 1'$ 2 Place Dec. $\pm .13\text{mm}$	Title: ROCKER SWITCH NARROW BODY ASSEMBLY S.P.D.T. WITH OPTIONS 1.072" x .480" PANEL	
							Made for: CW IND. Drawn by: DGW 7-06-2010 Checked by: <i>G. Guld 7-26-10</i> Approval: <i>G. Guld 7-26-10</i>	Division: SWITCH Dwg. No. GRS-2012-3XXX		

MASTER