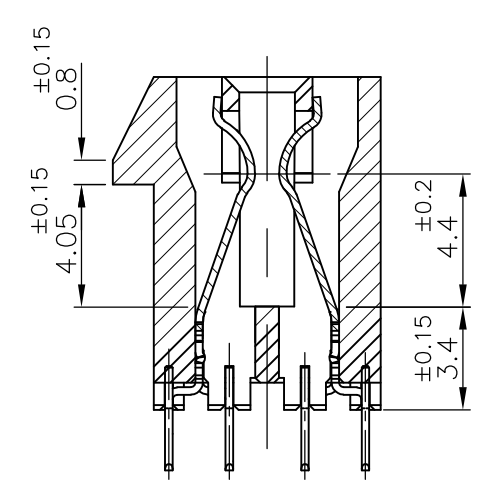
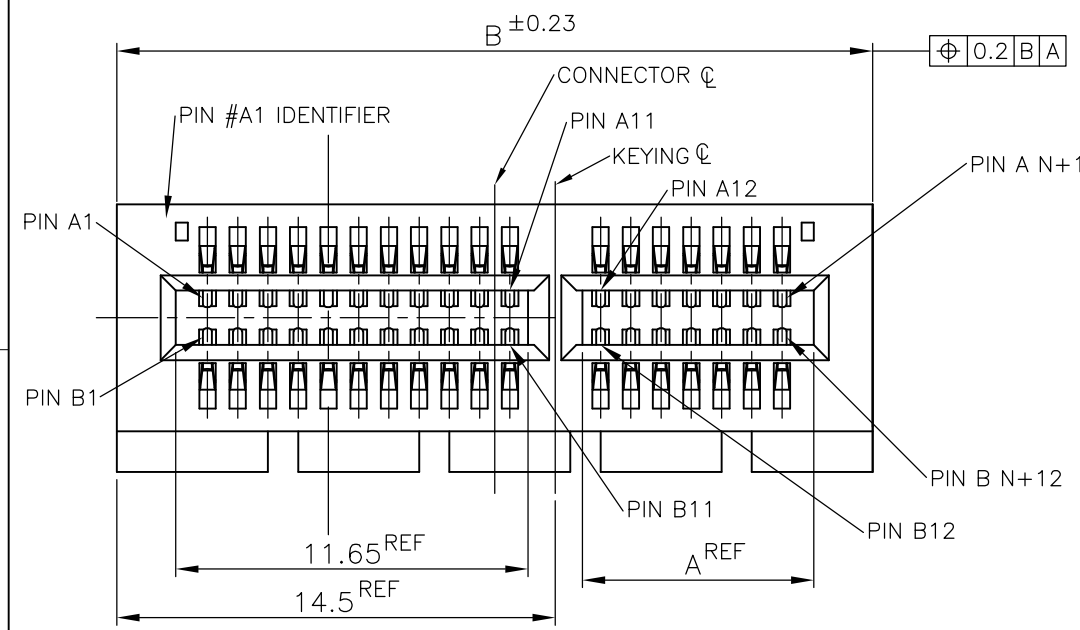
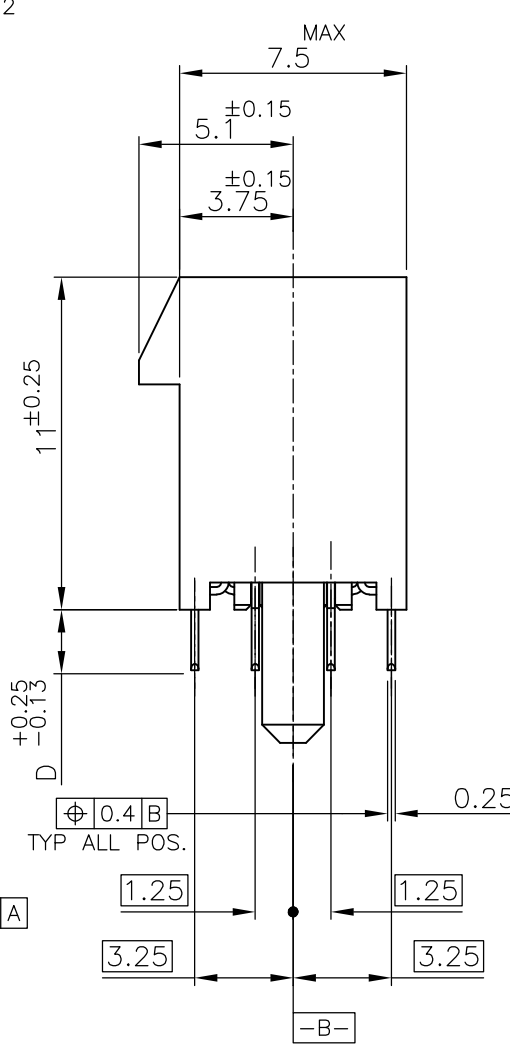
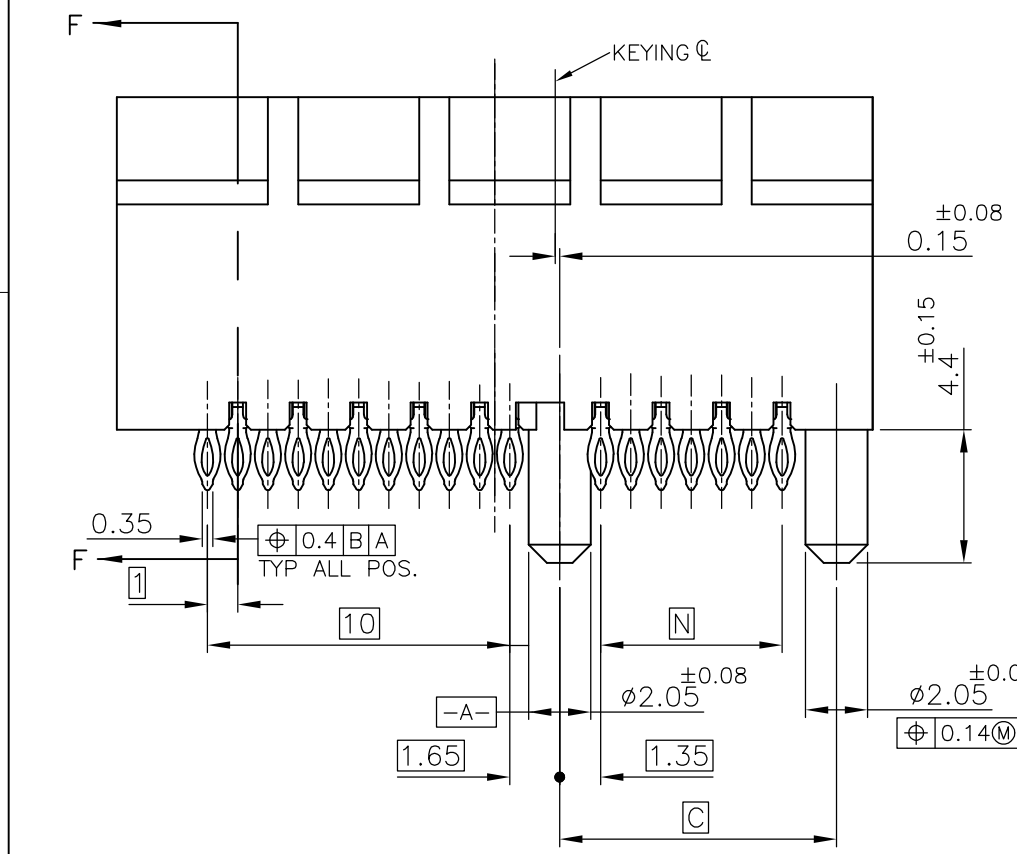


THIS DRAWING IS UNPUBLISHED. RELEASED FOR PUBLICATION JUN ,2005.  
 © COPYRIGHT 2005 By - ALL RIGHTS RESERVED.

LOC	DIST	REVISIONS					
J	/	P	LTR	DESCRIPTION	DATE	DWN	APVD
		H		PER ECR-14-006136	25APR2014	HS	FY

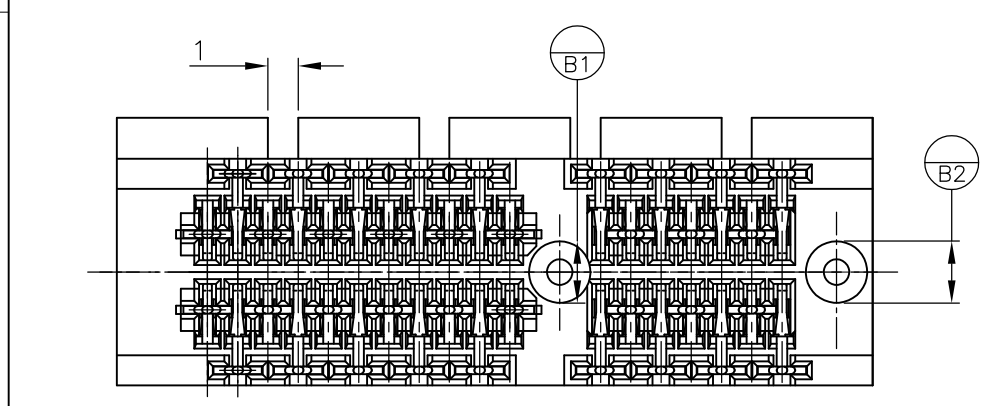


- ① MATERIAL;  
HOUSING: HIGH TEMPERATURE THERMO PLASTIC  
UL94V-0, COLOR; BLACK  
CONTACT: COPPER ALLOY
- ② FINISH;  
CONTACT AREA: GOLD PL.0.76μm MIN OVER NICKEL PL.  
COMPLIANT PIN ACTION AREA: 0.5μm MIN MATTE TIN  
OVER NICKEL PL.
- ③ NOT SPECIFY BY PCI EXPRESS STANDARD
- ⑤ FINISH;  
CONTACT AREA: GOLD PL.0.76μm MIN OVER NICKEL PL.  
COMPLIANT PIN ACTION AREA: 0.5μm MIN BRIGHT TIN-LEAD  
OVER NICKEL PL.
- ⑫ FINISH;  
CONTACT AREA: GOLD PL.0.38μm MIN OVER NICKEL PL.  
COMPLIANT PIN ACTION AREA: 0.5μm MIN MATTE TIN  
OVER NICKEL PL.



13 CONNECTOR HAS MET THE REQUIREMENTS PER  
PCI EXPRESS GEN 2 TECHNICAL DOCUMENT.  
 14 THE 2.0mm PF VERSIONS ARE GEN2 AND GEN3 COMPLIANT.

⑫	PRODUCING	37	2.0	40.15	56	38.65	98	8	6-	-3		
⑫	PRODUCING	70	↑	73.15	89	71.65	164	16	5-	-4		
OBSOLETE	↑	PRODUCING	70		73.15	89	71.65	164	16	3-	-4	
OBSOLETE	⑤	PRODUCING	37		40.15	56	38.65	98	8	3-	-3	
③	↑	PRODUCING	128		131.15	147	129.65	280	1-	-5		
		PRODUCING	70		73.15	89	71.65	164	16	1-	-4	
		PRODUCING	37	3.25	40.15	56	38.65	98	8	1-1871058	-3	
		PRODUCING	20	↑	23.15	39	21.65	64	4	1-	↑	-2
		PRODUCING	6	3.25	9.15	25	7.65	36	1	1-	-1	
		PRELIMINARY	76	↑	79.15	95	77.65	176	16		-7	
③	↑	PRODUCING	128		131.15	147	129.65	280			-5	
		PRODUCING	70		73.15	89	71.65	164	16		-4	
		PRODUCING	37	2.0	40.15	56	38.65	98	8	1871058-3		
		PRODUCING	20	↑	23.15	39	21.65	64	4		↑	-2
②	↑	PRELIMINARY	6	2.0	9.15	25	7.65	36	1	1871058-1		
FINISH	TOOLING STATUS	N	D	C	B	A	POS.	PORT	P/N			



THIS DRAWING IS A CONTROLLED DOCUMENT.

DWN T.KATANO 02DEC05  
 CHK R.MURAYAMA 02DEC05  
 APVD K.KODAIRA 02DEC05

NAME 名称: PCI EXPRESS CARD EDGE CONN. WITH COMPLIANT PIN V-TYPE

PRODUCT SPEC 製品規格: 108-78340

APPLICATION SPEC 取付適用規格

SIZE A3 CAGE CODE 00779 DRAWING NO 番号 C-1871058 RESTRICTED TO

WEIGHT

MATERIAL 材料 ①

FINISH 仕上 ②

SEE NOTE 2

CUSTOMER DRAWING

SCALE 尺度 4:1 SHEET 1 OF 2 REV H

