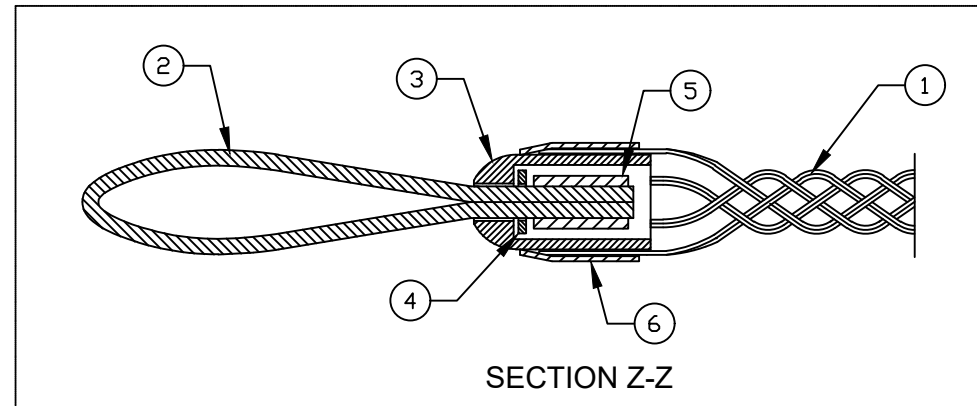
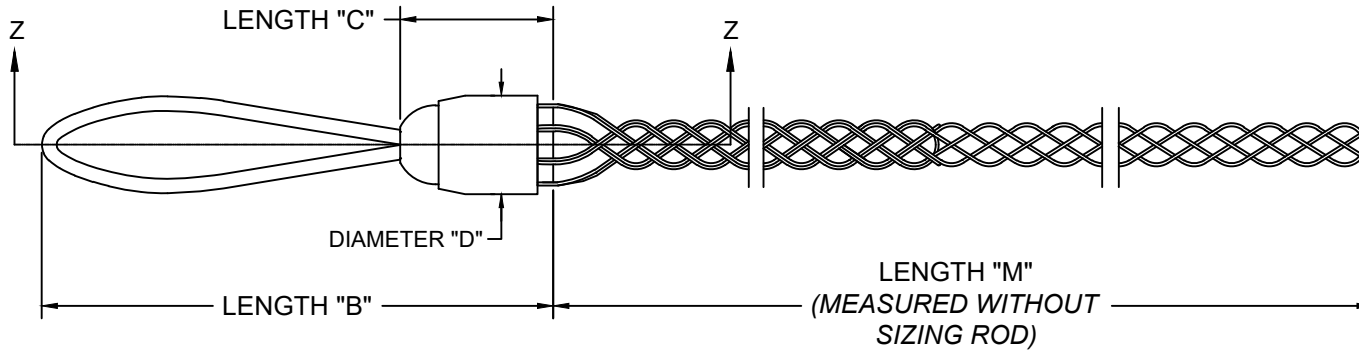


CATALOG NUMBER	MATERIAL NUMBER	CABLE RANGE	LENGTH "M"	LENGTH "B"	LENGTH "C" REF.	DIAMETER "D" REF.	APPROXIMATE BREAK STRENGTH (LBS/N)	UL LISTED	CSA APPROVED
36660	-----	.100-.200 / 2.54-5.08	9.00±0.75 / 228.6±19.1	5.50±0.25 / 139.7±6.4	1.40 / 35.6	.80 / 20.3	1000 / 4448	NO	YES
36662	1300950298	.320-.480 / 8.13-12.19	18.00±1.00 / 457.2±25.4	5.75±0.25 / 146.1±6.4	1.40 / 35.6	.90 / 22.9	2200 / 9786		
36664	1300950300	.530-.740 / 13.46-18.80	24.00±1.25 / 609.6±31.8	6.25±0.25 / 158.8±6.4	1.49 / 37.8	1.15 / 29.2	3300 / 14679		
36665	1300950301	.640-.875 / 16.26-22.23	27.00±1.25 / 685.8±31.8	6.25±0.25 / 158.8±6.4	1.49 / 37.8	1.15 / 29.2	4700 / 20907		



ITEM	DESCRIPTION	MATERIAL
1	WIRE MESH	GALVANIZED STEEL
2	BALE WIRE	GALVANIZED STEEL
3	BALE NOSE	STEEL
4	WASHER	NYLATRON
5	SWAGING FERRULE	STEEL
6	OUTER RING	STEEL

FUNCTIONAL SYMBOLS $F_A=0$ $F_C=0$ $F_F=0$ DIVISIONAL SYMBOLS	THIS DRAWING CONTAINS INFORMATION THAT IS PROPRIETARY TO MOLEX ELECTRONIC TECHNOLOGIES, LLC AND SHOULD NOT BE USED WITHOUT WRITTEN PERMISSION											
	DIMENSION UNITS		SCALE		CURRENT REV DESC: OBSOLETE PART NUMBER AS PER PCN#510808							
	INCH/MM		NTS		GENERAL TOLERANCES (UNLESS SPECIFIED)							
				mm		INCH		EC NO: 736640		2022/12/21		
				4 PLACES ± ----		± ----		DRWN: SUGEEB		2023/02/14		
				3 PLACES ± ----		± 0.005		CHK'D: LIKITV		2023/02/16		
				2 PLACES ± 0.13		± 0.01		APPR: GGA				
				1 PLACE ± 0.25		± 0.01		INITIAL REVISION:				
				0 PLACES ± ----		± ----		DRWN: HRUIZ01		2015/03/19		
				ANGULAR TOL ± 0.5 °				APPR: JFMURPHY		2015/06/12		
				DRAFT WHERE APPLICABLE MUST REMAIN WITHIN DIMENSIONS				THIRD ANGLE PROJECTION		DRAWING		
								A-SIZE		SERIES		
								130095		MATERIAL NUMBER		
								SEE TABLE		CUSTOMER		
								GENERAL MARKET		SHEET NUMBER		
								1 OF 1				

DOCUMENT STATUS	P1	RELEASE DATE	2023/02/16	05:36:36
-----------------	----	--------------	------------	----------