



LPT15P series



(172 x 150 x 51 mm)

6.77 x 5.91 x 2.00 inches

Operating voltage: 115 or 230 VAC

Construction: metal frame and plastic impeller

Bearing option: ball bearing

Motor: electronically commutated

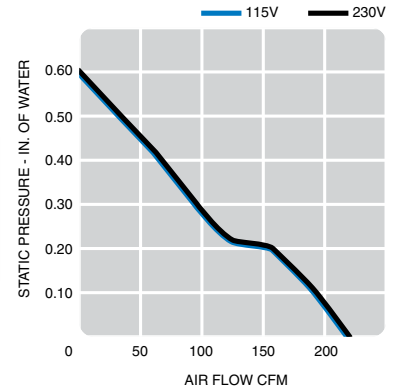
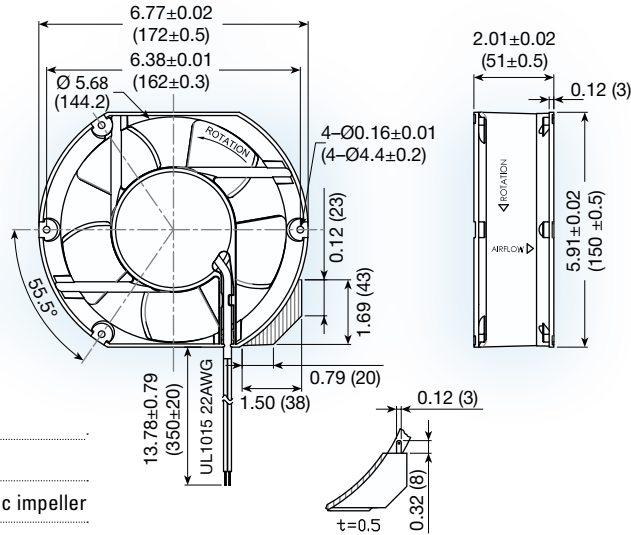
Air flow: exhaust over struts

Connection: lead wire UL1007 22AWG or terminal

Protection: auto restart

Options:

- encapsulated motor (IP68)
- ATEX



Model No.	Rated Voltage V	Freq. HZ	Input Power W	Rated Cur. A	Speed RPM	Air Volume		Max. Sta tic Pressure (H ₂ O)		Sound Noise dbA	Wt . g
						M ³ /Min.	CFM	MM	INCH		
LPT15P12	100-130	50/60	15	0.23	3,000	6.16	220	15.7	0.62	57	700
LPT15P23	210-240	50/60	15	0.13	3,000	6.16	220	15.7	0.62	57	700