

PS9305L, PS9305L2

Data Sheet

R08DS0013EJ0200

Rev.2.00

Sep 07, 2011

2.5 A OUTPUT CURRENT, HIGH CMR, IGBT
 GATE DRIVE, 8-PIN SDIP PHOTOCOUPLER

<R> **DESCRIPTION**

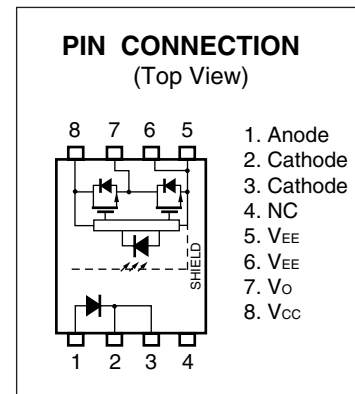
The PS9305L and PS9305L2 are optically coupled isolators containing a GaAlAs LED on the input side and a photo diode, a signal processing circuit and a power output transistor on the output side on one chip.

The PS9305L and PS9305L2 are designed specifically for high common mode transient immunity (CMR), high output current and high switching speed.

The PS9305L and PS9305L2 are suitable for driving IGBTs and MOS FETs.

FEATURES

- Long creepage distance (8 mm MIN.)
- Large peak output current (2.5 A MAX., 2.0 A MIN.)
- High speed switching (t_{PLH} , t_{PHL} = 0.25 μ s MAX.)
- UVLO (Under Voltage Lock Out) protection with hysteresis
- High common mode transient immunity (CM_H , CM_L = ± 25 kV/ μ s MIN.)
- <R> • Embossed tape product: PS9305L-E3, PS9305L2-E3: 2 000 pcs/reel
- Pb-Free product
- Safety standards
 - UL approved: No. E72422
 - CSA approved: No. CA 101391 (CA5A, CAN/CSA-C22.2 60065, 60950)
 - <R> • SEMKO approved: No. 1115598
 - DIN EN60747-5-2 (VDE0884 Part2) approved: No. 40024069 (Option)



APPLICATIONS

- IGBT, Power MOS FET Gate Driver
- Industrial inverter
- IH (Induction Heating)

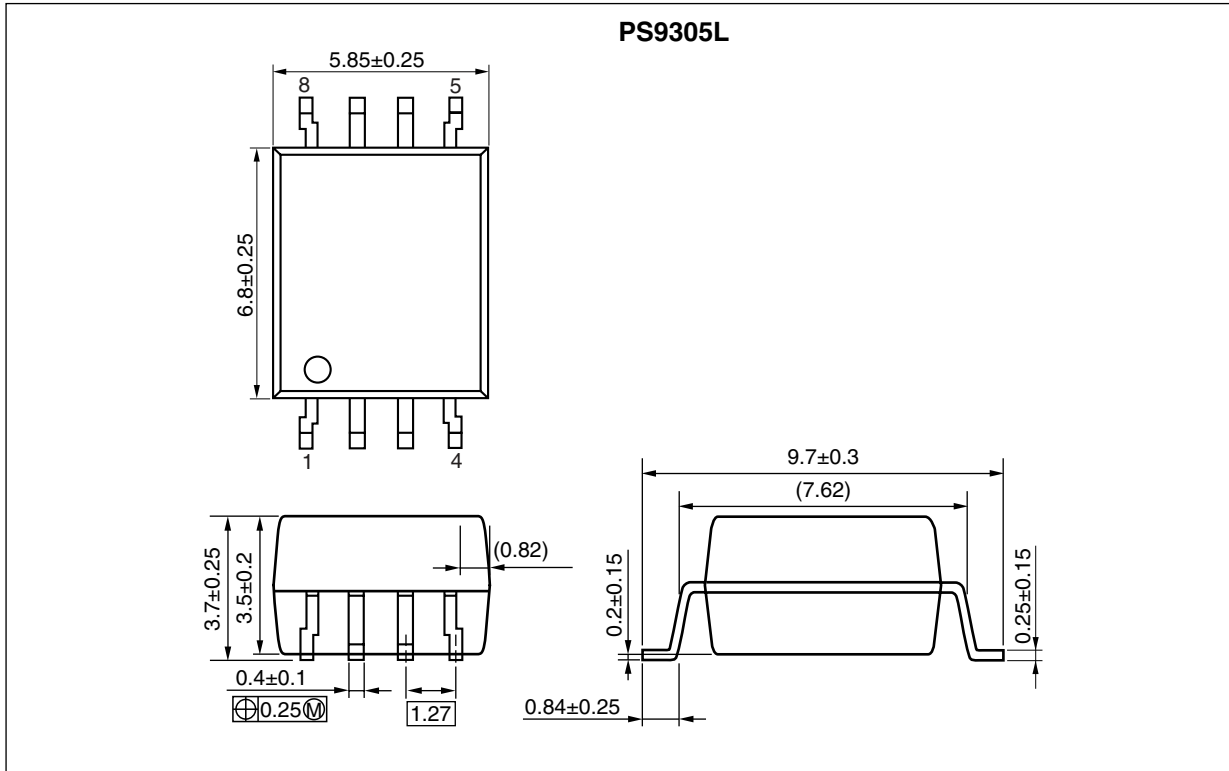
The mark <R> shows major revised points.

The revised points can be easily searched by copying an "<R>" in the PDF file and specifying it in the "Find what:" field.

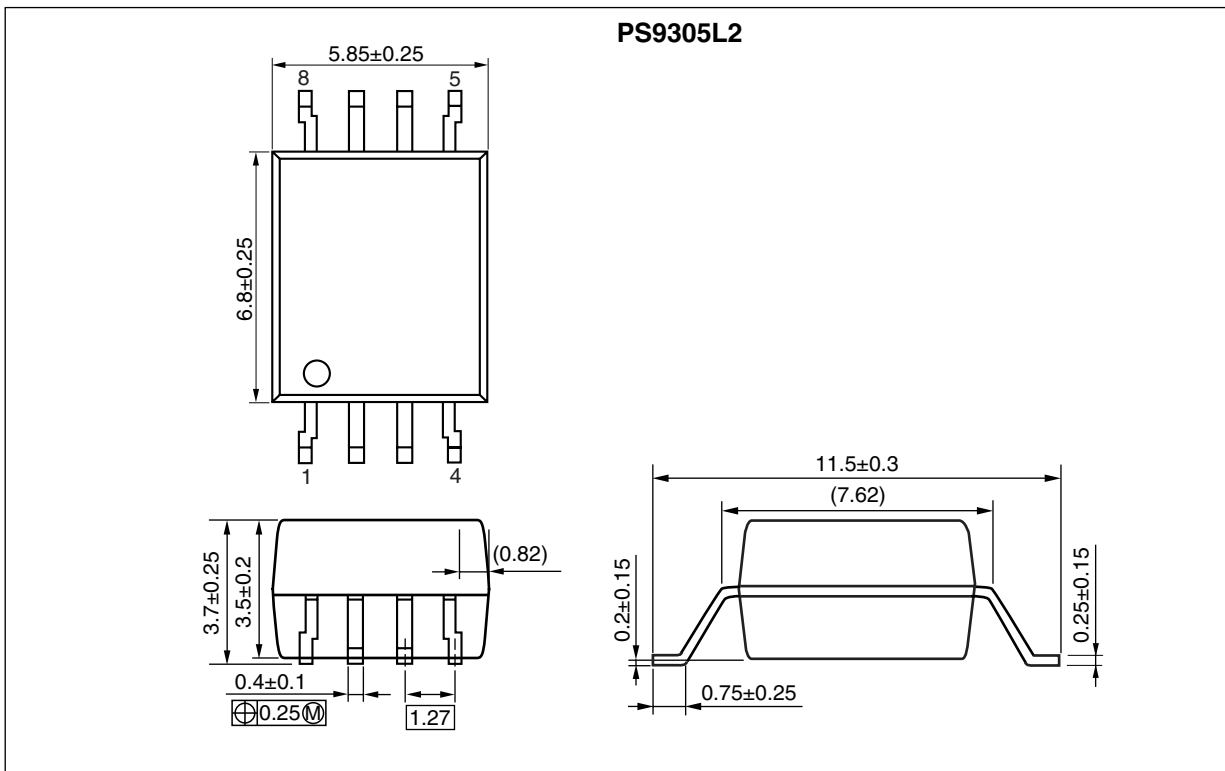
PS9305L, PS9305L2

<R> **PACKAGE DIMENSIONS (UNIT: mm)**

Lead Bending Type (Gull-wing) for Surface Mount



Lead Bending Type (Gull-wing) for Long Clearance Distance (Surface Mount)

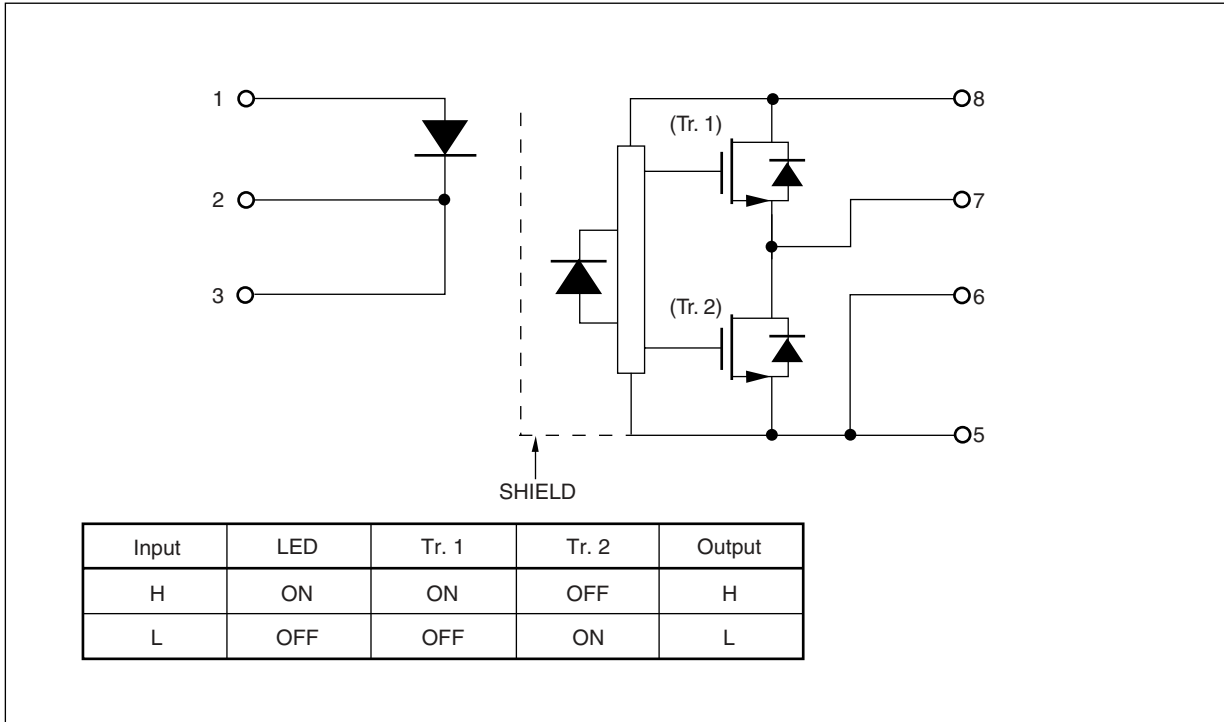


PS9305L,PS9305L2

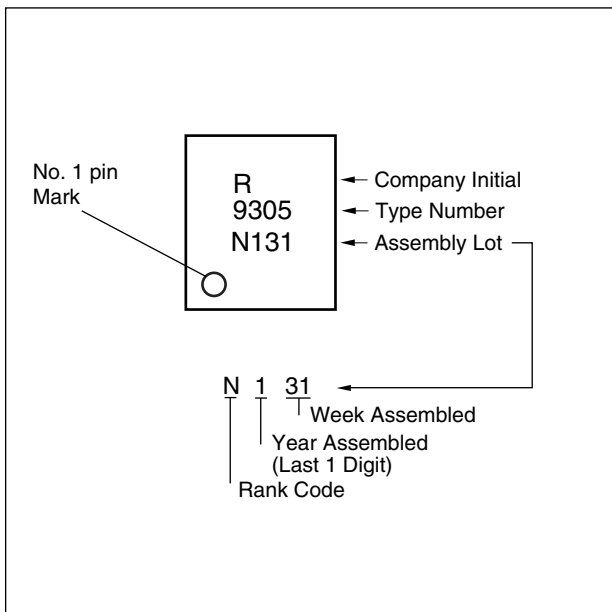
<R> **PHOTOCOUPLER CONSTRUCTION**

Parameter	PS9305L	PS9305L2
Air Distance (MIN.)	7 mm	8 mm
Outer Creepage Distance (MIN.)	8 mm	8 mm
Isolation Distance (MIN.)	0.4 mm	0.4 mm

FUNCTIONAL DIAGRAM



<R> **MARKING EXAMPLE**



PS9305L, PS9305L2

<R> ORDERING INFORMATION

Part Number	Order Number	Solder Plating Specification	Packing Style	Safety Standard Approval	Application Part Number* ¹
PS9305L	PS9305L-AX	Pb-Free (Ni/Pd/Au)	20 pcs (Tape 20 pcs cut)	Standard products (UL, CSA, SEMKO approved)	PS9305L
PS9305L-E3	PS9305L-E3-AX		Embossed Tape 2 000 pcs/reel		
PS9305L2	PS9305L2-AX		20 pcs (Tape 20 pcs cut)		PS9305L2
PS9305L2-E3	PS9305L2-E3-AX		Embossed Tape 2 000 pcs/reel		
PS9305L-V	PS9305L-V-AX		20 pcs (Tape 20 pcs cut)	DIN EN60747-5-2 (VDE0884 Part2) approved (Option)	PS9305L
PS9305L-V-E3	PS9305L-V-E3-AX		Embossed Tape 2 000 pcs/reel		
PS9305L2-V	PS9305L2-V-AX		20 pcs (Tape 20 pcs cut)		PS9305L2
PS9305L2-V-E3	PS9305L2-V-E3-AX		Embossed Tape 2 000 pcs/reel		

*1 For the application of the Safety Standard, following part number should be used.

ABSOLUTE MAXIMUM RATINGS (T_A = 25°C, unless otherwise specified)

Parameter		Symbol	Ratings	Unit
Diode	Forward Current	I _F	25	mA
	Peak Transient Forward Current (Pulse Width < 1 μs)	I _{F (TRAN)}	1.0	A
	Reverse Voltage	V _R	5	V
	Power Dissipation * ¹	P _D	45	mW
Detector	High Level Peak Output Current * ²	I _{OH (PEAK)}	2.5	A
	Low Level Peak Output Current * ²	I _{OL (PEAK)}	2.5	A
	Supply Voltage	(V _{CC} - V _{EE})	0 to 35	V
	Output Voltage	V _O	0 to V _{CC}	V
	Power Dissipation * ³	P _C	250	mW
Isolation Voltage * ⁴		BV	5 000	Vr.m.s.
Operating Frequency * ⁵		f	50	kHz
Operating Ambient Temperature		T _A	-40 to +110	°C
Storage Temperature		T _{stg}	-55 to +125	°C

*1 Reduced to 0.88 mW/°C at T_A = 85°C or more.

*2 Maximum pulse width = 10 μs, Maximum duty cycle = 0.2%

*3 Reduced to 7.36 mW/°C at T_A = 85°C or more.

*4 AC voltage for 1 minute at T_A = 25°C, RH = 60% between input and output.

Pins 1-4 shorted together, 5-8 shorted together.

*5 I_{OH (PEAK)} ≤ 2.0 A (≤ 0.3 μs), I_{OL (PEAK)} ≤ 2.0 A (≤ 0.3 μs)

RECOMMENDED OPERATING CONDITIONS

Parameter	Symbol	MIN.	TYP.	MAX.	Unit
Supply Voltage	(V _{CC} - V _{EE})	15		30	V
Forward Current (ON)	I _{F (ON)}	7	10	16	mA
Forward Voltage (OFF)	V _{F (OFF)}	-2		0.8	V
Operating Ambient Temperature	T _A	-40		110	°C

PS9305L, PS9305L2

ELECTRICAL CHARACTERISTICS

(V_{EE} = GND, unless otherwise specified and refer to RECOMMENDED OPERATING CONDITIONS)

Parameter		Symbol	Conditions	MIN.	TYP. ^{*1}	MAX.	Unit
Diode	Forward Voltage	V _F	I _F = 10 mA, T _A = 25°C	1.2	1.56	1.8	V
	Reverse Current	I _R	V _R = 3 V, T _A = 25°C			10	μA
	Terminal Capacitance	C _t	f = 1 MHz, V _F = 0 V, T _A = 25°C		30		pF
Detector	High Level Output Current	I _{OH}	V _O = (V _{CC} - 4 V) ^{*2}	0.5	2.0		A
			V _O = (V _{CC} - 15 V) ^{*3}	2.0			
	Low Level Output Current	I _{OL}	V _O = (V _{EE} + 2.5 V) ^{*2}	0.5	2.0		A
			V _O = (V _{EE} + 15 V) ^{*3}	2.0			
	High Level Output Voltage	V _{OH}	I _O = -100 mA ^{*4}	V _{CC} - 3.0	V _{CC} - 1.5		V
	Low Level Output Voltage	V _{OL}	I _O = 100 mA		0.1	0.5	V
	High Level Supply Current	I _{CCH}	V _O = open, I _F = 10 mA		1.4	3.0	mA
	Low Level Supply Current	I _{CCL}	V _O = open, V _F = 0 to +0.8 V		1.3	3.0	mA
	UVLO Threshold	V _{UVLO+}	V _O > 5 V, I _F = 10 mA	10.8	12.3	13.4	V
		V _{UVLO-}		9.5	11.0	12.5	
UVLO Hysteresis	UVLO _{HYS}	V _O > 5 V, I _F = 10 mA	0.4	1.3		V	
Coupled	Threshold Input Current (L → H)	I _{FLH}	I _O = 0 mA, V _O > 5 V		2.0	5.0	mA
	Threshold Input Voltage (H → L)	V _{FHL}	I _O = 0 mA, V _O < 5 V	0.8			V

*1 Typical values at T_A = 25°C.

*2 Maximum pulse width = 50 μs, Maximum duty cycle = 0.5%.

*3 Maximum pulse width = 10 μs, Maximum duty cycle = 0.2%

*4 V_{OH} is measured with the DC load current in this testing (Maximum pulse width = 2 ms, Maximum duty cycle = 20%).

PS9305L, PS9305L2

<R> SWITCHING CHARACTERISTICS (V_{EE} = GND, unless otherwise specified and refer to RECOMMENDED OPERATING CONDITIONS)

Parameter	Symbol	Conditions	MIN.	TYP.*1	MAX.	Unit	
Propagation Delay Time (L → H)	t _{PLH}	R _g = 10 Ω, C _g = 10 nF, f = 10 kHz, Duty Cycle = 50%*2, I _F = 10 mA		0.07	0.25	μs	
Propagation Delay Time (H → L)	t _{PHL}			0.10	0.25	μs	
Pulse Width Distortion (PWD)	t _{PHL} - t _{PLH}				0.03	0.1	μs
Propagation Delay Time (Difference Between Any Two Products)	t _{PHL} - t _{PLH}			-0.1		0.1	μs
Rise Time	t _r				50		ns
Fall Time	t _f				50		ns
UVLO (Turn On Delay)	t _{UVLO ON}	V _O > 5 V, I _F = 10 mA		0.8		μs	
UVLO (Turn Off Delay)	t _{UVLO OFF}	V _O < 5 V, I _F = 10 mA		0.6		μs	
Common Mode Transient Immunity at High Level Output	CM _H	T _A = 25°C, I _F = 10 mA, V _{CC} = 30 V, V _{O (MIN.)} = 26 V, V _{CM} = 1.5 kV	25			kV/μs	
Common Mode Transient Immunity at Low Level Output	CM _L	T _A = 25°C, I _F = 0 mA, V _{CC} = 30 V, V _{O (MAX.)} = 1 V, V _{CM} = 1.5 kV	25			kV/μs	

*1 Typical values at T_A = 25°C.

*2 This load condition is equivalent to the IGBT load at 1 200 V/75 A.

TEST CIRCUIT

Fig. 1 I_{OH} Test Circuit

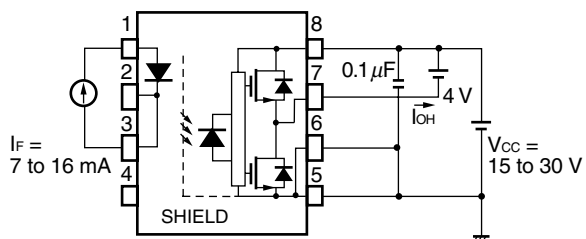


Fig. 2 I_{OL} Test Circuit

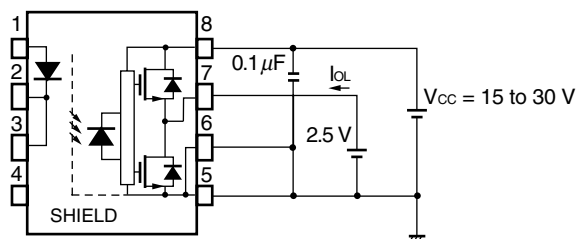


Fig. 3 V_{OH} Test Circuit

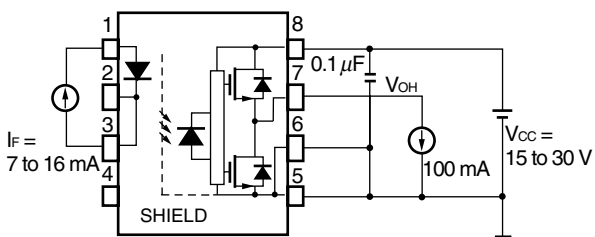


Fig. 4 V_{OL} Test Circuit

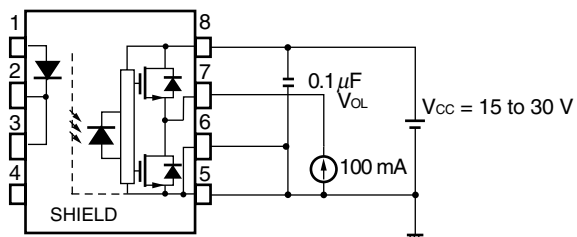


Fig. 5 I_{FLH} Test Circuit

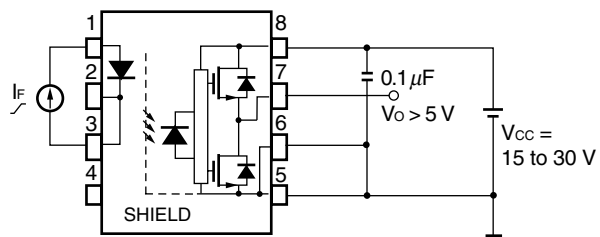
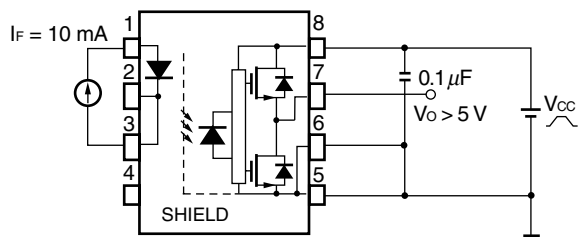


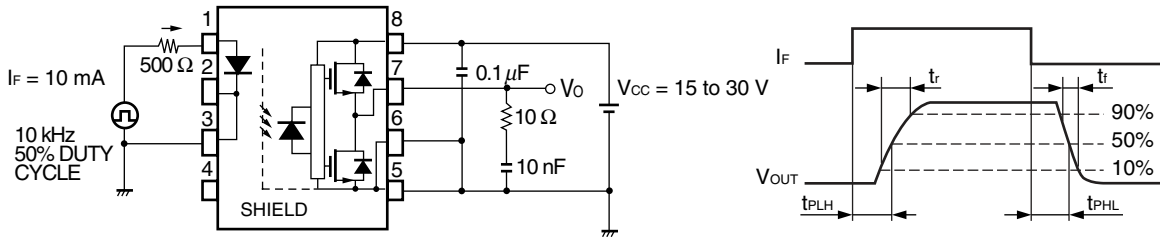
Fig. 6 UVLO Test Circuit



PS9305L, PS9305L2

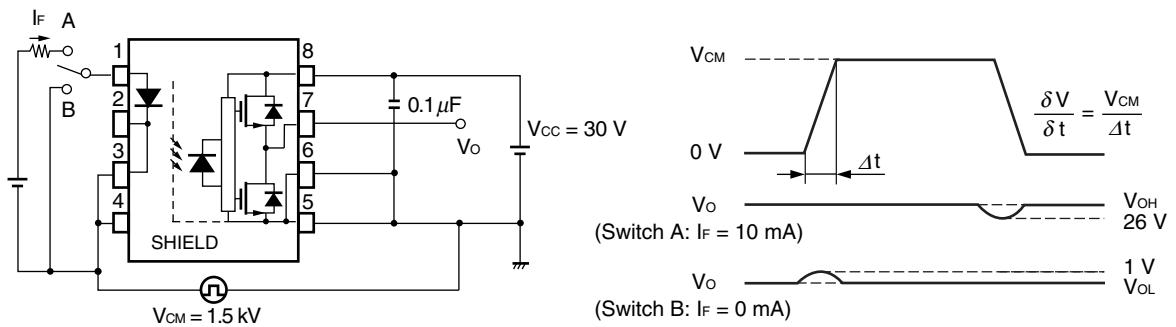
<R>

Fig. 7 t_{PLH}, t_{PHL}, t_r, t_f Test Circuit and Wave Forms



<R>

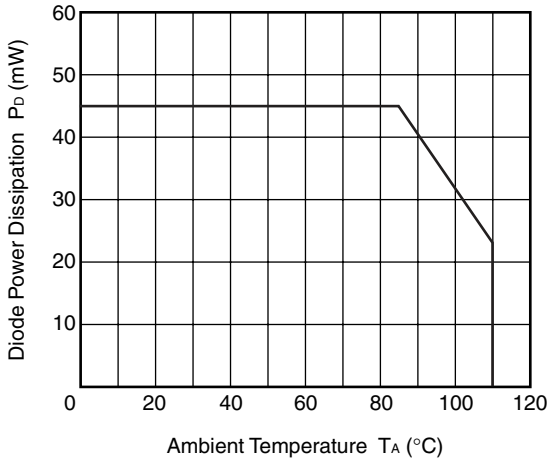
Fig. 8 CMR Test Circuit and Wave Forms



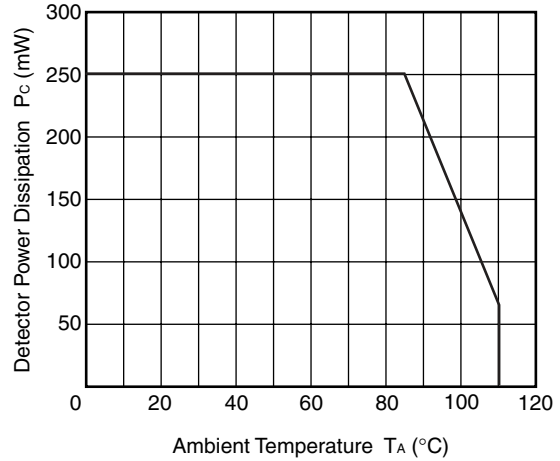
PS9305L, PS9305L2

TYPICAL CHARACTERISTICS (T_A = 25°C, unless otherwise specified)

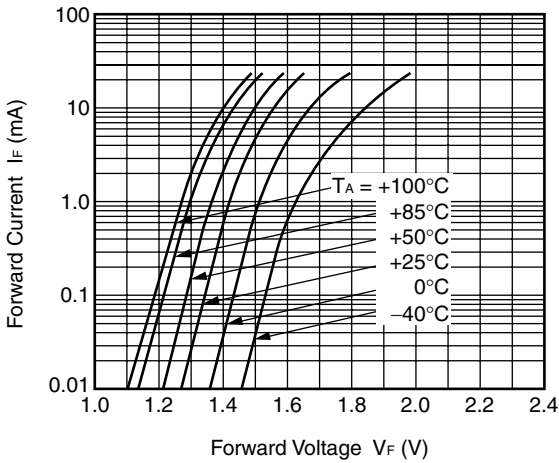
DIODE POWER DISSIPATION vs. AMBIENT TEMPERATURE



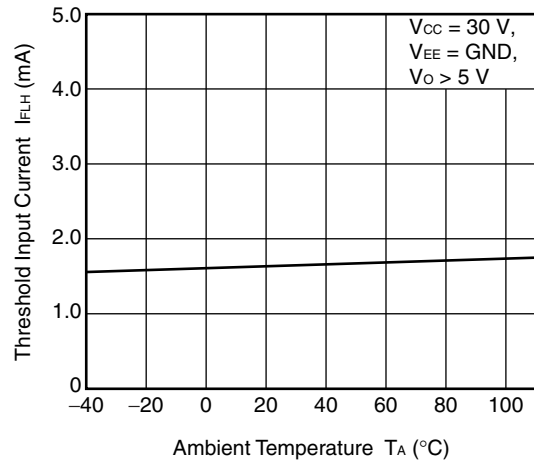
DETECTOR POWER DISSIPATION vs. AMBIENT TEMPERATURE



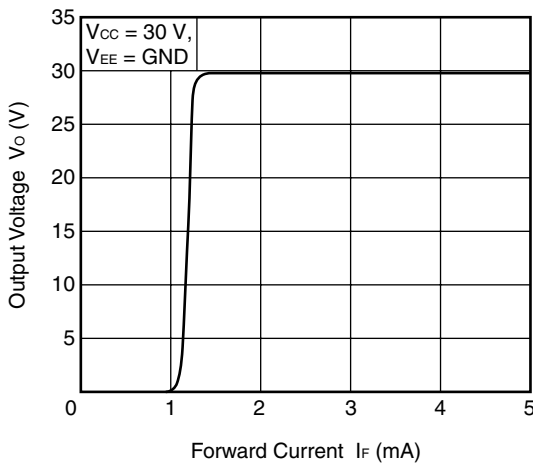
FORWARD CURRENT vs. FORWARD VOLTAGE



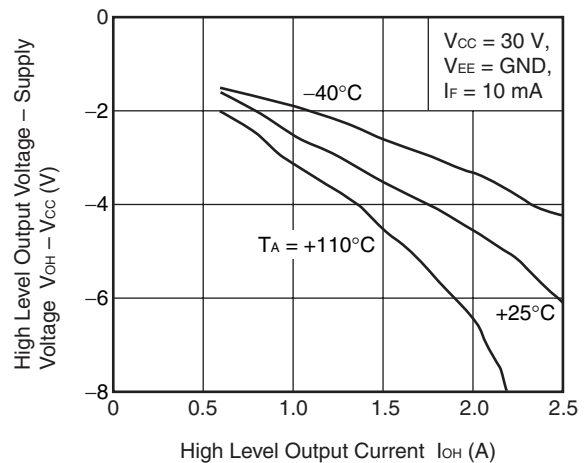
THRESHOLD INPUT CURRENT vs. AMBIENT TEMPERATURE



OUTPUT VOLTAGE vs. FORWARD CURRENT

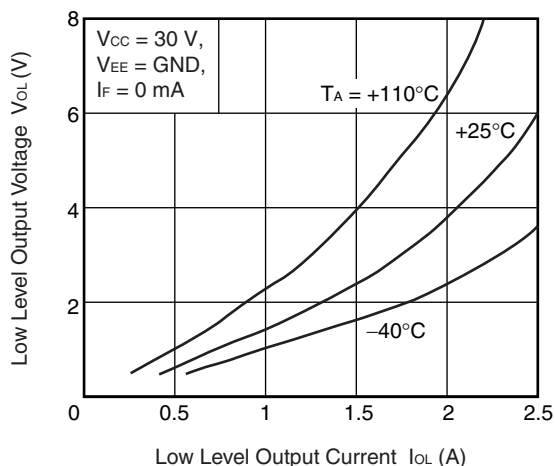


HIGH LEVEL OUTPUT VOLTAGE – SUPPLY VOLTAGE vs. HIGH LEVEL OUTPUT CURRENT

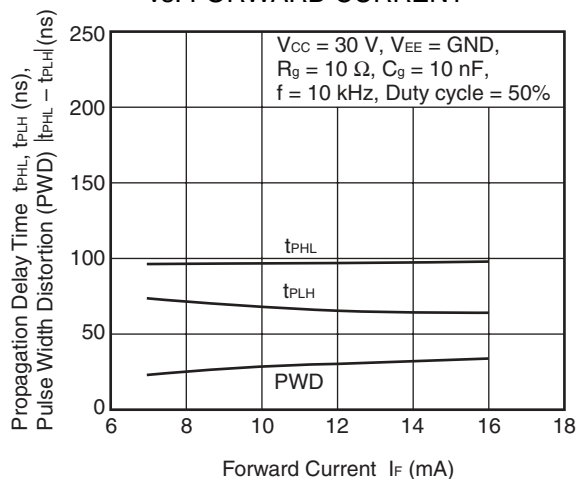


Remark The graphs indicate nominal characteristics.

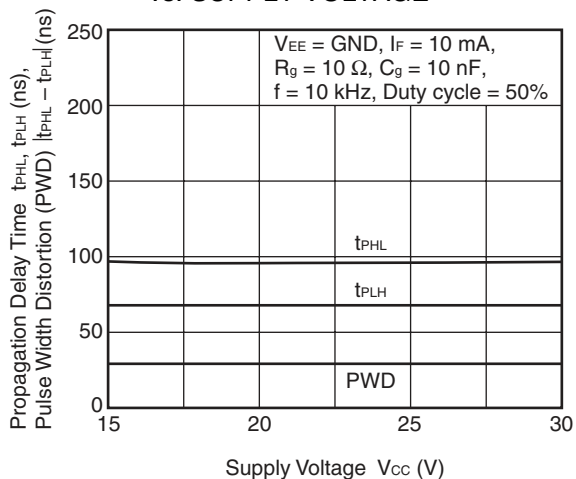
LOW LEVEL OUTPUT VOLTAGE vs. LOW LEVEL OUTPUT CURRENT



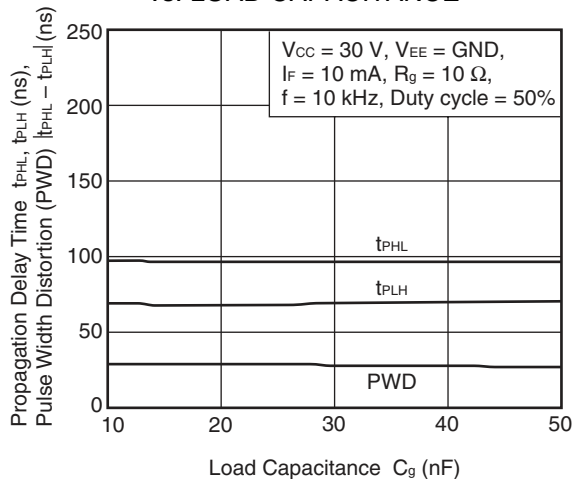
PROPAGATION DELAY TIME, PULSE WIDTH DISTORTION vs. FORWARD CURRENT



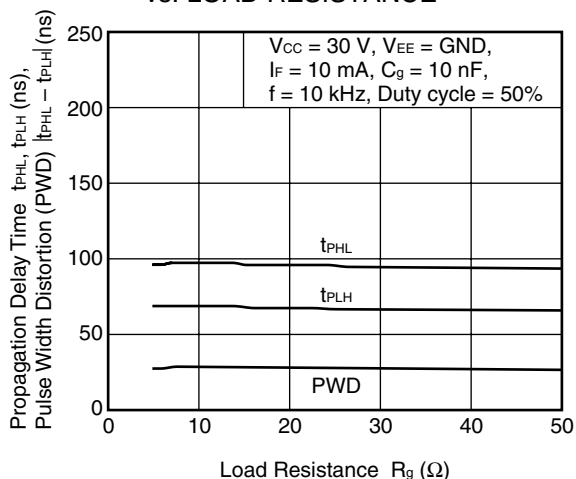
PROPAGATION DELAY TIME, PULSE WIDTH DISTORTION vs. SUPPLY VOLTAGE



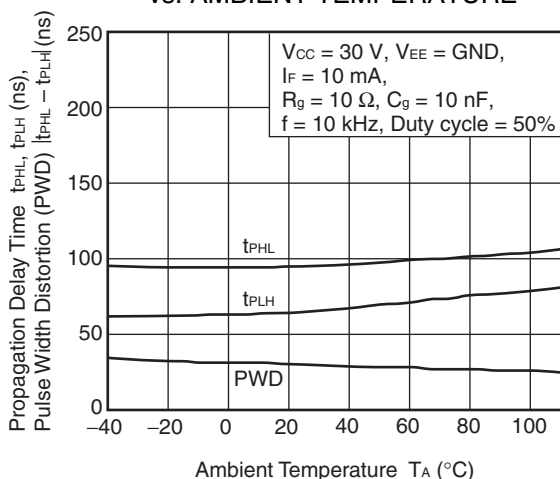
PROPAGATION DELAY TIME, PULSE WIDTH DISTORTION vs. LOAD CAPACITANCE



PROPAGATION DELAY TIME, PULSE WIDTH DISTORTION vs. LOAD RESISTANCE



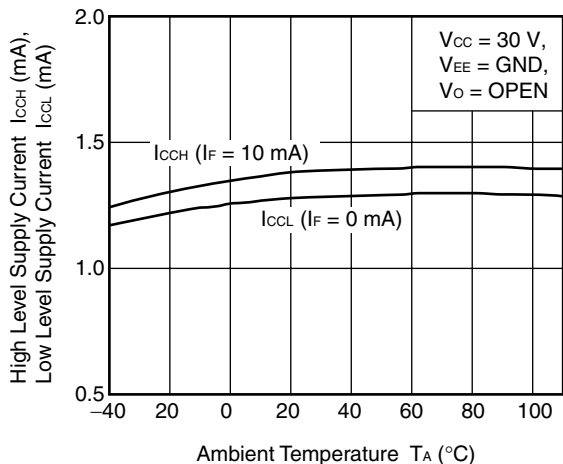
PROPAGATION DELAY TIME, PULSE WIDTH DISTORTION vs. AMBIENT TEMPERATURE



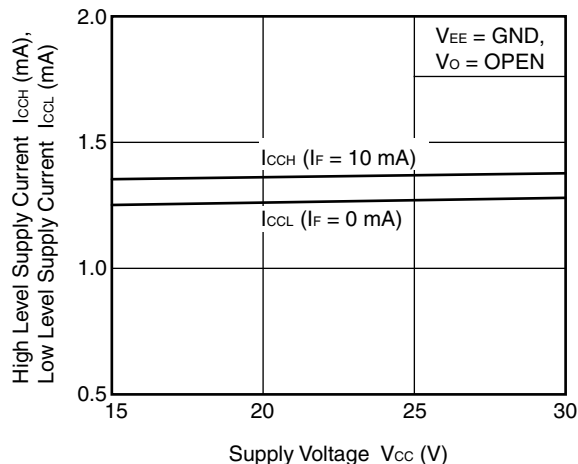
Remark The graphs indicate nominal characteristics.

PS9305L, PS9305L2

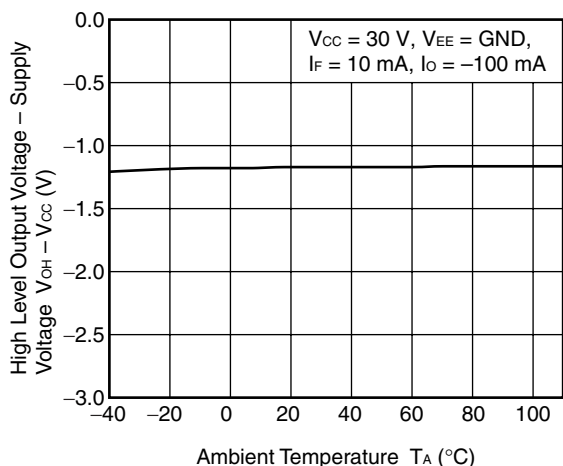
SUPPLY CURRENT vs. AMBIENT TEMPERATURE



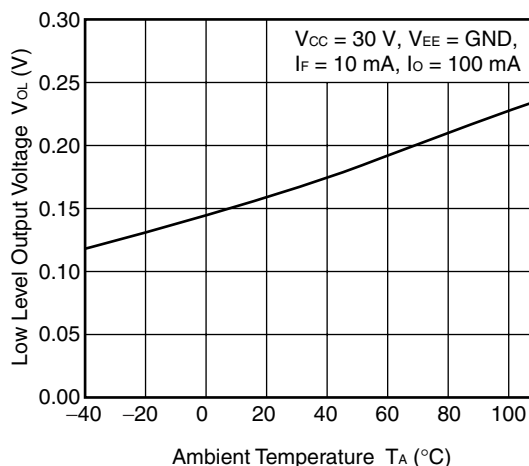
SUPPLY CURRENT vs. SUPPLY VOLTAGE



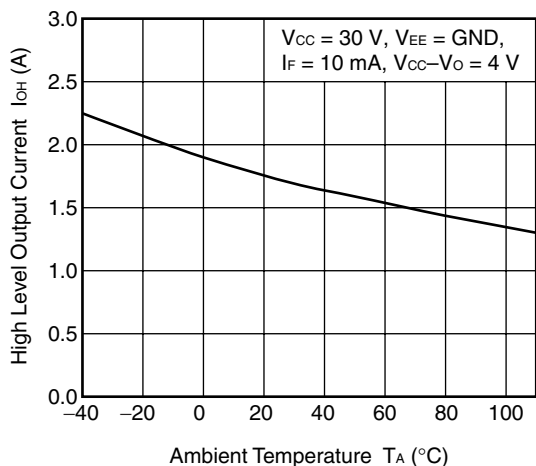
HIGH LEVEL OUTPUT VOLTAGE – SUPPLY VOLTAGE vs. AMBIENT TEMPERATURE



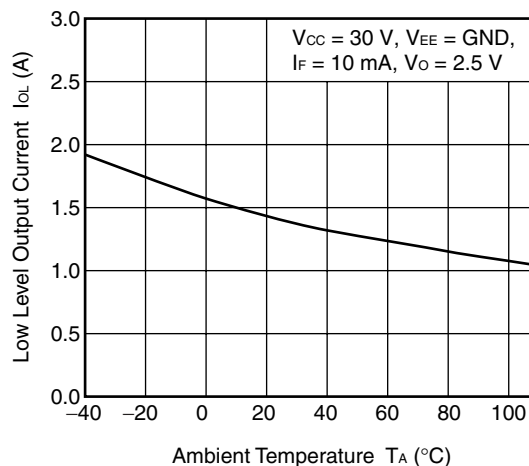
LOW LEVEL OUTPUT VOLTAGE vs. AMBIENT TEMPERATURE



HIGH LEVEL OUTPUT CURRENT vs. AMBIENT TEMPERATURE



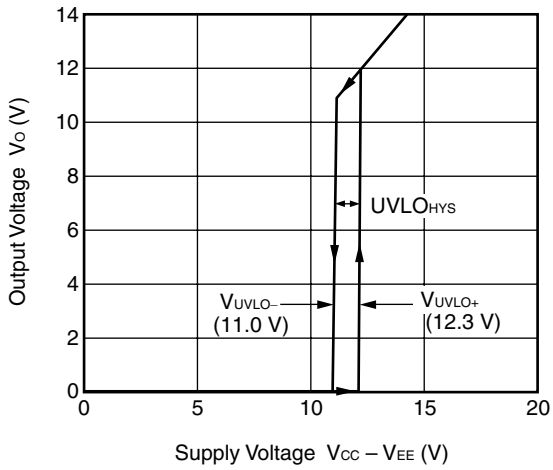
LOW LEVEL OUTPUT CURRENT vs. AMBIENT TEMPERATURE



Remark The graphs indicate nominal characteristics.

PS9305L,PS9305L2

OUTPUT VOLTAGE vs. SUPPLY VOLTAGE

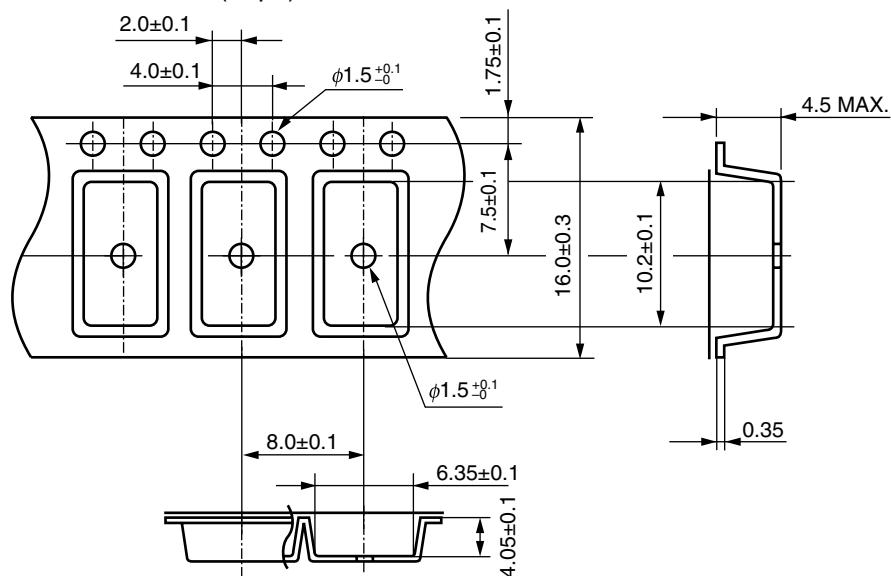


Remark The graph indicates nominal characteristics.

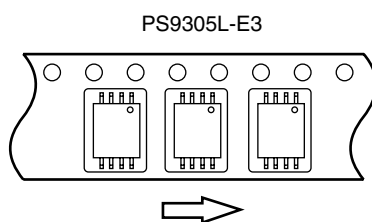
PS9305L,PS9305L2

TAPING SPECIFICATIONS (UNIT: mm)

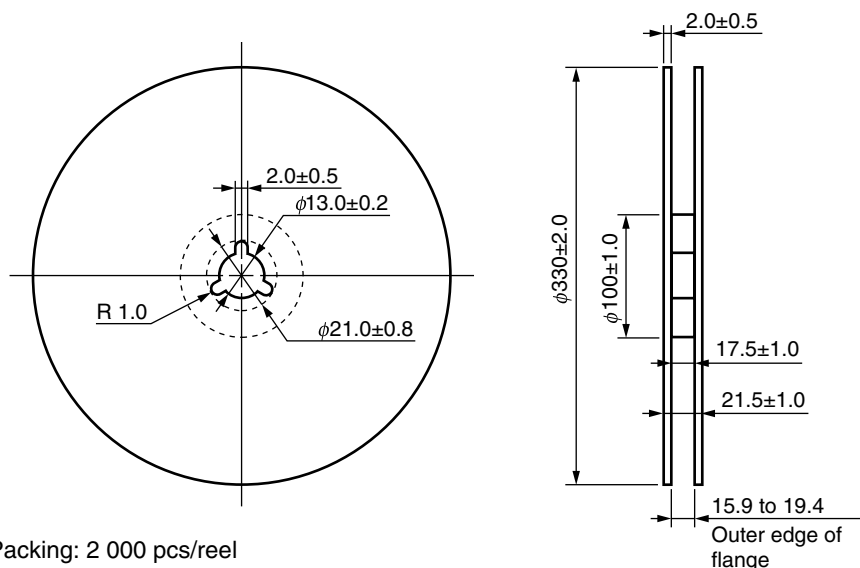
Outline and Dimensions (Tape)



Tape Direction

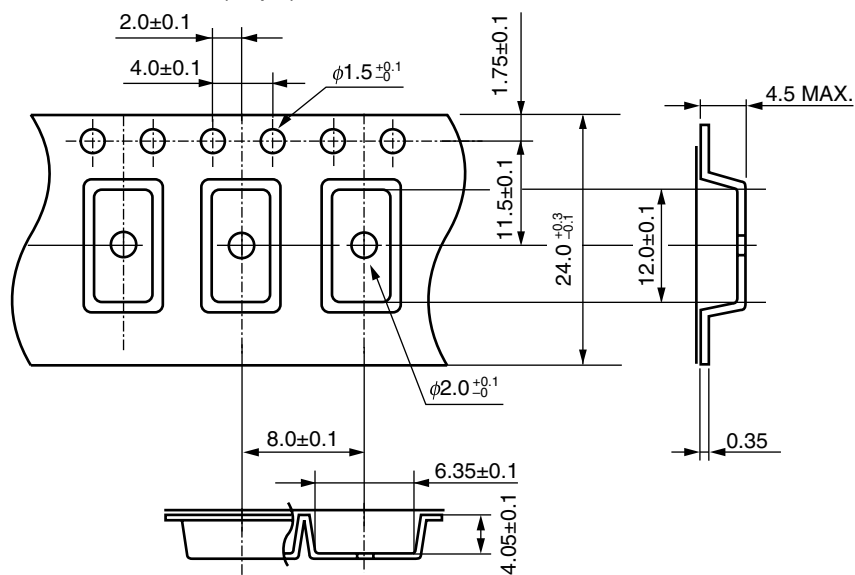


Outline and Dimensions (Reel)

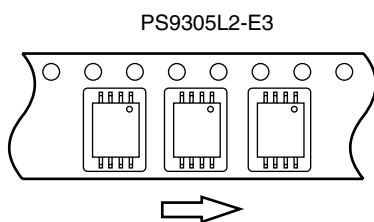


<R>

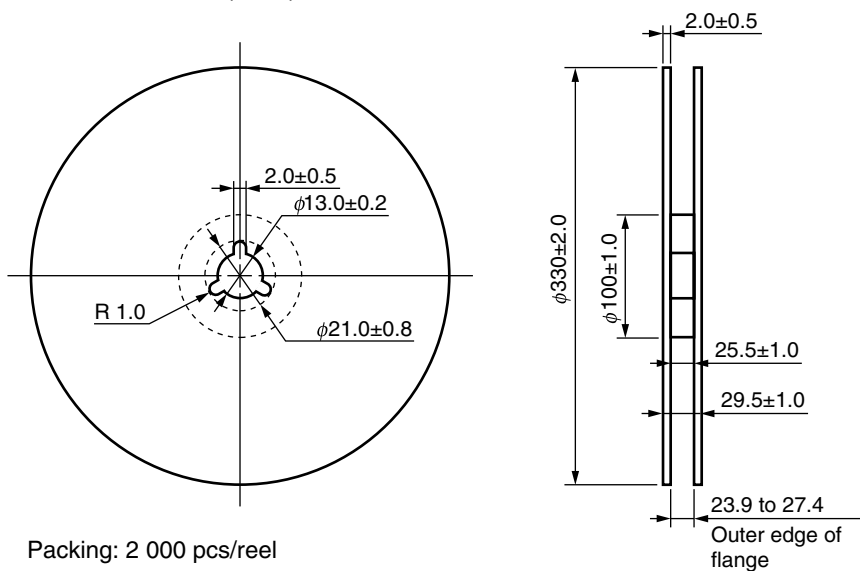
Outline and Dimensions (Tape)



Tape Direction

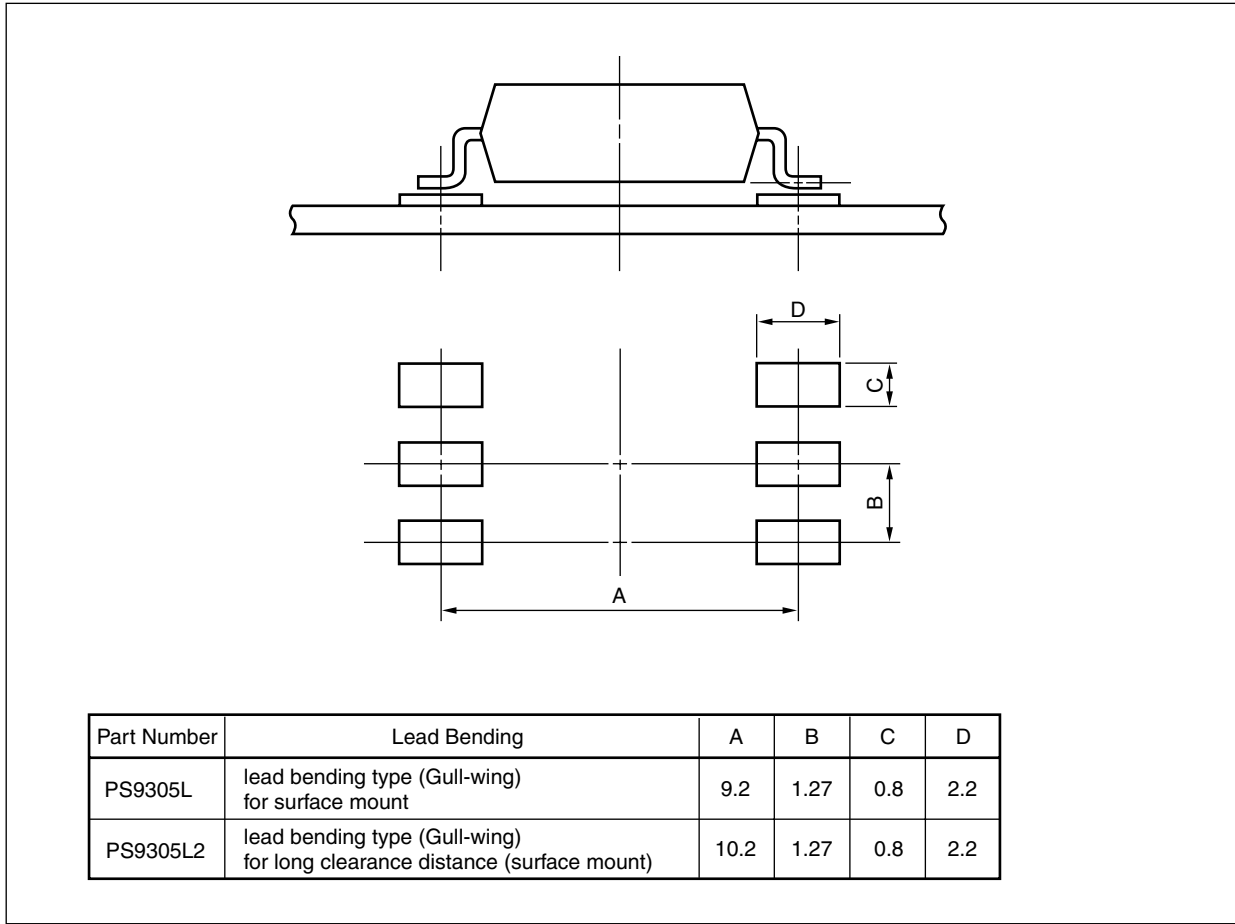


Outline and Dimensions (Reel)



PS9305L,PS9305L2

<R> **RECOMMENDED MOUNT PAD DIMENSIONS (UNIT: mm)**



PS9305L,PS9305L2

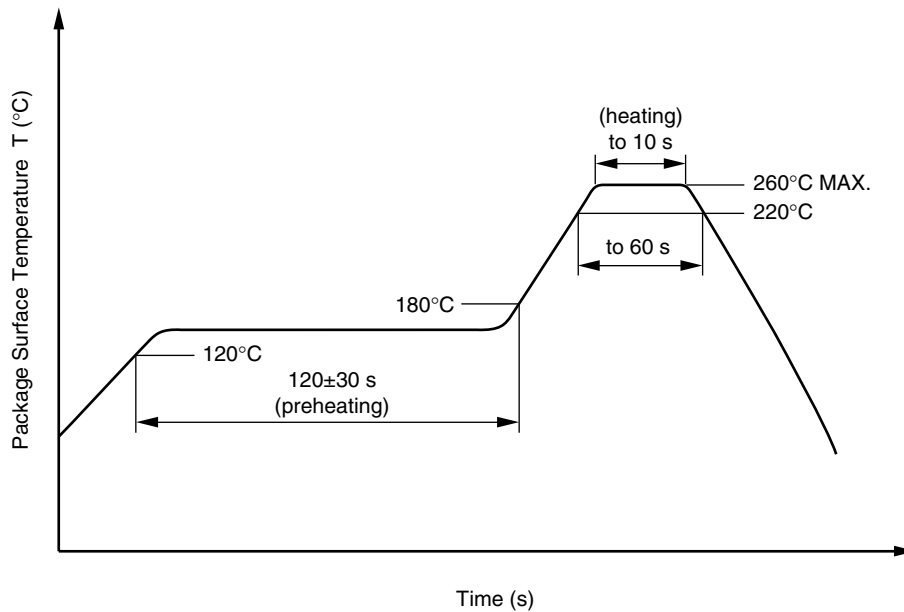
NOTES ON HANDLING

1. Recommended soldering conditions

(1) Infrared reflow soldering

- Peak reflow temperature 260°C or below (package surface temperature)
- Time of peak reflow temperature 10 seconds or less
- Time of temperature higher than 220°C 60 seconds or less
- Time to preheat temperature from 120 to 180°C 120±30 s
- Number of reflows Three
- Flux Rosin flux containing small amount of chlorine (The flux with a maximum chlorine content of 0.2 Wt% is recommended.)

Recommended Temperature Profile of Infrared Reflow



(2) Wave soldering

- Temperature 260°C or below (molten solder temperature)
- Time 10 seconds or less
- Preheating conditions 120°C or below (package surface temperature)
- Number of times One (Allowed to be dipped in solder including plastic mold portion.)
- Flux Rosin flux containing small amount of chlorine (The flux with a maximum chlorine content of 0.2 Wt% is recommended.)

(3) Soldering by Soldering Iron

- Peak Temperature (lead part temperature) 350°C or below
- Time (each pins) 3 seconds or less
- Flux Rosin flux containing small amount of chlorine (The flux with a maximum chlorine content of 0.2 Wt% is recommended.)

(a) Soldering of leads should be made at the point 1.5 to 2.0 mm from the root of the lead

PS9305L,PS9305L2**(4) Cautions**

• Fluxes

Avoid removing the residual flux with freon-based and chlorine-based cleaning solvent.

2. Cautions regarding noise

Be aware that when voltage is applied suddenly between the photocoupler's input and output at startup, the output transistor may enter the on state, even if the voltage is within the absolute maximum ratings.

USAGE CAUTIONS

1. This product is weak for static electricity by designed with high-speed integrated circuit so protect against static electricity when handling.

2. Board designing

(1) By-pass capacitor of more than 0.1 μ F is used between V_{CC} and GND near device. Also, ensure that the distance between the leads of the photocoupler and capacitor is no more than 10 mm.

(2) When designing the printed wiring board, ensure that the pattern of the IGBT collectors/emitters is not too close to the input block pattern of the photocoupler.

If the pattern is too close to the input block and coupling occurs, a sudden fluctuation in the voltage on the IGBT output side might affect the photocoupler's LED input, leading to malfunction or degradation of characteristics.

(If the pattern needs to be close to the input block, to prevent the LED from lighting during the off state due to the abovementioned coupling, design the input-side circuit so that the bias of the LED is reversed, within the range of the recommended operating conditions, and be sure to thoroughly evaluate operation.)

(3) Pin 4 (which is an NC^{*1} pin) can either be connected directly to the GND pin on the LED side or left open.

Unconnected pins should not be used as a bypass for signals or for any other similar purpose because this may degrade the internal noise environment of the device.

*1 NC: Non-Connection (No Connection)

3. Make sure the rise/fall time of the forward current is 0.5 μ s or less.

4. In order to avoid malfunctions, make sure the rise/fall slope of the supply voltage is 3 V/ μ s or less.

5. Avoid storage at a high temperature and high humidity.

<R>

PS9305L,PS9305L2

SPECIFICATION OF VDE MARKS LICENSE DOCUMENT

Parameter	Symbol	Spec.	Unit
Climatic test class (IEC 60068-1/DIN EN 60068-1)		40/110/21	
Dielectric strength maximum operating isolation voltage	U_{IORM}	1 130	V_{peak}
Test voltage (partial discharge test, procedure a for type test and random test) $U_{pr} = 1.5 \times U_{IORM}, P_d < 5 \text{ pC}$	U_{pr}	1 695	V_{peak}
Test voltage (partial discharge test, procedure b for all devices) $U_{pr} = 1.875 \times U_{IORM}, P_d < 5 \text{ pC}$	U_{pr}	2 119	V_{peak}
Highest permissible overvoltage	U_{TR}	8 000	V_{peak}
Degree of pollution (DIN EN 60664-1 VDE0110 Part 1)		2	
Comparative tracking index (IEC 60112/DIN EN 60112 (VDE 0303 Part 11))	CTI	175	
Material group (DIN EN 60664-1 VDE0110 Part 1)		III a	
Storage temperature range	T_{stg}	-55 to +125	°C
Operating temperature range	T_A	-40 to +110	°C
Isolation resistance, minimum value $V_{IO} = 500 \text{ V dc at } T_A = 25^\circ\text{C}$ $V_{IO} = 500 \text{ V dc at } T_A \text{ MAX. at least } 100^\circ\text{C}$	$R_{is \text{ MIN.}}$ $R_{is \text{ MIN.}}$	10^{12} 10^{11}	Ω Ω
Safety maximum ratings (maximum permissible in case of fault, see thermal derating curve)			
Package temperature	T_{si}	175	°C
Current (input current I_F , $P_{si} = 0$)	I_{si}	400	mA
Power (output or total power dissipation)	P_{si}	700	mW
Isolation resistance $V_{IO} = 500 \text{ V dc at } T_A = T_{si}$	$R_{is \text{ MIN.}}$	10^9	Ω

Caution	GaAs Products	<p>This product uses gallium arsenide (GaAs). GaAs vapor and powder are hazardous to human health if inhaled or ingested, so please observe the following points.</p> <ul style="list-style-type: none">• Follow related laws and ordinances when disposing of the product. If there are no applicable laws and/or ordinances, dispose of the product as recommended below.<ol style="list-style-type: none">1. Commission a disposal company able to (with a license to) collect, transport and dispose of materials that contain arsenic and other such industrial waste materials.2. Exclude the product from general industrial waste and household garbage, and ensure that the product is controlled (as industrial waste subject to special control) up until final disposal.• Do not burn, destroy, cut, crush, or chemically dissolve the product.• Do not lick the product or in any way allow it to enter the mouth.
----------------	---------------	--

Revision History

PS9305L, PS9305L2 Data Sheet

Rev.	Date	Description	
		Page	Summary
0.01	May 12, 2010	–	First Edition issued
1.00	May 16, 2011	Throughout	Preliminary Data Sheet -> Data Sheet
		Throughout	Safety standards approved
		p.3	Modification of MARKING EXAMPLE
		p.4	Addition of ORDERING INFORMATION
		p.4	Modification of ABSOLUTE MAXIMUM RATINGS
		p.5	Modification of ELECTRICAL CHARACTERISTICS I_{CCH} , I_{CCL}
		p.6	Modification of SWITCHING CHARACTERISTICS $ t_{PHL}-t_{PLH} $
		pp.7, 8	Addition of TEST CIRCUIT
		pp.9 to 12	Addition of TYPICAL CHARACTERISTICS
		p.13	Addition of TAPING SPECIFICATIONS
		p.14	Addition of RECOMMENDED MOUNT PAD DIMENSIONS
		pp.15, 16	Addition of NOTES ON HANDLING
		p.17	Addition of SPECIFICATION OF VDE MARKS LICENSE DOCUMENT
2.00	Sep 07, 2011	Throughout	Addition of PS9305L2
		p.1	Addition of SEMKO approved
		p.3	Modification of MARKING EXAMPLE
		p.6	Modification of SWITCHING CHARACTERISTICS t_{PLH} , t_{PHL} , $ t_{PHL}-t_{PLH} $
		p.8	Modification of Fig. 7 t_{PLH} , t_{PHL} , t_r , t_f Test Circuit and Wave Forms , and Fig. 8 CMR Test Circuit and Wave Forms
		p.17	Modification of USAGE CAUTIONS 2. (2)

NOTICE

1. Descriptions of circuits, software and other related information in this document are provided only to illustrate the operation of semiconductor products and application examples. You are fully responsible for the incorporation of these circuits, software, and information in the design of your equipment. California Eastern Laboratories and Renesas Electronics assumes no responsibility for any losses incurred by you or third parties arising from the use of these circuits, software, or information.
2. California Eastern Laboratories has used reasonable care in preparing the information included in this document, but California Eastern Laboratories does not warrant that such information is error free. California Eastern Laboratories and Renesas Electronics assumes no liability whatsoever for any damages incurred by you resulting from errors in or omissions from the information included herein.
3. California Eastern Laboratories and Renesas Electronics do not assume any liability for infringement of patents, copyrights, or other intellectual property rights of third parties by or arising from the use of Renesas Electronics products or technical information described in this document. No license, express, implied or otherwise, is granted hereby under any patents, copyrights or other intellectual property rights of California Eastern Laboratories or Renesas Electronics or others.
4. You should not alter, modify, copy, or otherwise misappropriate any Renesas Electronics product, whether in whole or in part. California Eastern Laboratories and Renesas Electronics assume no responsibility for any losses incurred by you or third parties arising from such alteration, modification, copy or otherwise misappropriation of Renesas Electronics product.
5. Renesas Electronics products are classified according to the following two quality grades: "Standard" and "High Quality". The recommended applications for each Renesas Electronics product depends on the product's quality grade, as indicated below. "Standard": Computers; office equipment; communications equipment; test and measurement equipment; audio and visual equipment; home electronic appliances; machine tools; personal electronic equipment; and industrial robots etc. "High Quality": Transportation equipment (automobiles, trains, ships, etc.); traffic control systems; anti-disaster systems; anti-crime systems; and safety equipment etc. Renesas Electronics products are neither intended nor authorized for use in products or systems that may pose a direct threat to human life or bodily injury (artificial life support devices or systems, surgical implantations etc.), or may cause serious property damages (nuclear reactor control systems, military equipment etc.). You must check the quality grade of each Renesas Electronics product before using it in a particular application. You may not use any Renesas Electronics product for any application for which it is not intended. California Eastern Laboratories and Renesas Electronics shall not be in any way liable for any damages or losses incurred by you or third parties arising from the use of any Renesas Electronics product for which the product is not intended by California Eastern Laboratories or Renesas Electronics.
6. You should use the Renesas Electronics products described in this document within the range specified by California Eastern Laboratories, especially with respect to the maximum rating, operating supply voltage range, movement power voltage range, heat radiation characteristics, installation and other product characteristics. California Eastern Laboratories shall have no liability for malfunctions or damages arising out of the use of Renesas Electronics products beyond such specified ranges.
7. Although Renesas Electronics endeavors to improve the quality and reliability of its products, semiconductor products have specific characteristics such as the occurrence of failure at a certain rate and malfunctions under certain use conditions. Further, Renesas Electronics products are not subject to radiation resistance design. Please be sure to implement safety measures to guard them against the possibility of physical injury, and injury or damage caused by fire in the event of the failure of a Renesas Electronics product, such as safety design for hardware and software including but not limited to redundancy, fire control and malfunction prevention, appropriate treatment for aging degradation or any other appropriate measures. Because the evaluation of microcomputer software alone is very difficult, please evaluate the safety of the final products or systems manufactured by you.
8. Please contact a California Eastern Laboratories sales office for details as to environmental matters such as the environmental compatibility of each Renesas Electronics product. Please use Renesas Electronics products in compliance with all applicable laws and regulations that regulate the inclusion or use of controlled substances, including without limitation, the EU RoHS Directive. California Eastern Laboratories and Renesas Electronics assume no liability for damages or losses occurring as a result of your noncompliance with applicable laws and regulations.
9. Renesas Electronics products and technology may not be used for or incorporated into any products or systems whose manufacture, use, or sale is prohibited under any applicable domestic or foreign laws or regulations. You should not use Renesas Electronics products or technology described in this document for any purpose relating to military applications or use by the military, including but not limited to the development of weapons of mass destruction. When exporting the Renesas Electronics products or technology described in this document, you should comply with the applicable export control laws and regulations and follow the procedures required by such laws and regulations.
10. It is the responsibility of the buyer or distributor of California Eastern Laboratories, who distributes, disposes of, or otherwise places the Renesas Electronics product with a third party, to notify such third party in advance of the contents and conditions set forth in this document, California Eastern Laboratories and Renesas Electronics assume no responsibility for any losses incurred by you or third parties as a result of unauthorized use of Renesas Electronics products.
11. This document may not be reproduced or duplicated in any form, in whole or in part, without prior written consent of California Eastern Laboratories.
12. Please contact a California Eastern Laboratories sales office if you have any questions regarding the information contained in this document or Renesas Electronics products, or if you have any other inquiries.

NOTE 1: "Renesas Electronics" as used in this document means Renesas Electronics Corporation and also includes its majority-owned subsidiaries.

NOTE 2: "Renesas Electronics product(s)" means any product developed or manufactured by or for Renesas Electronics.

NOTE 3: Products and product information are subject to change without notice.

CEL Headquarters • 4590 Patrick Henry Drive, Santa Clara, CA 95054 • Phone (408) 919-2500 • www.cel.com

For a complete list of sales offices, representatives and distributors,
Please visit our website: www.cel.com/contactus