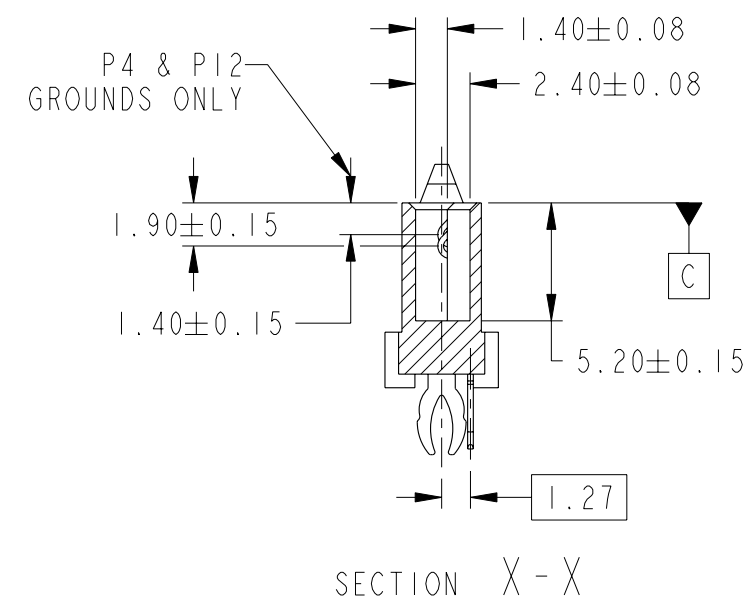
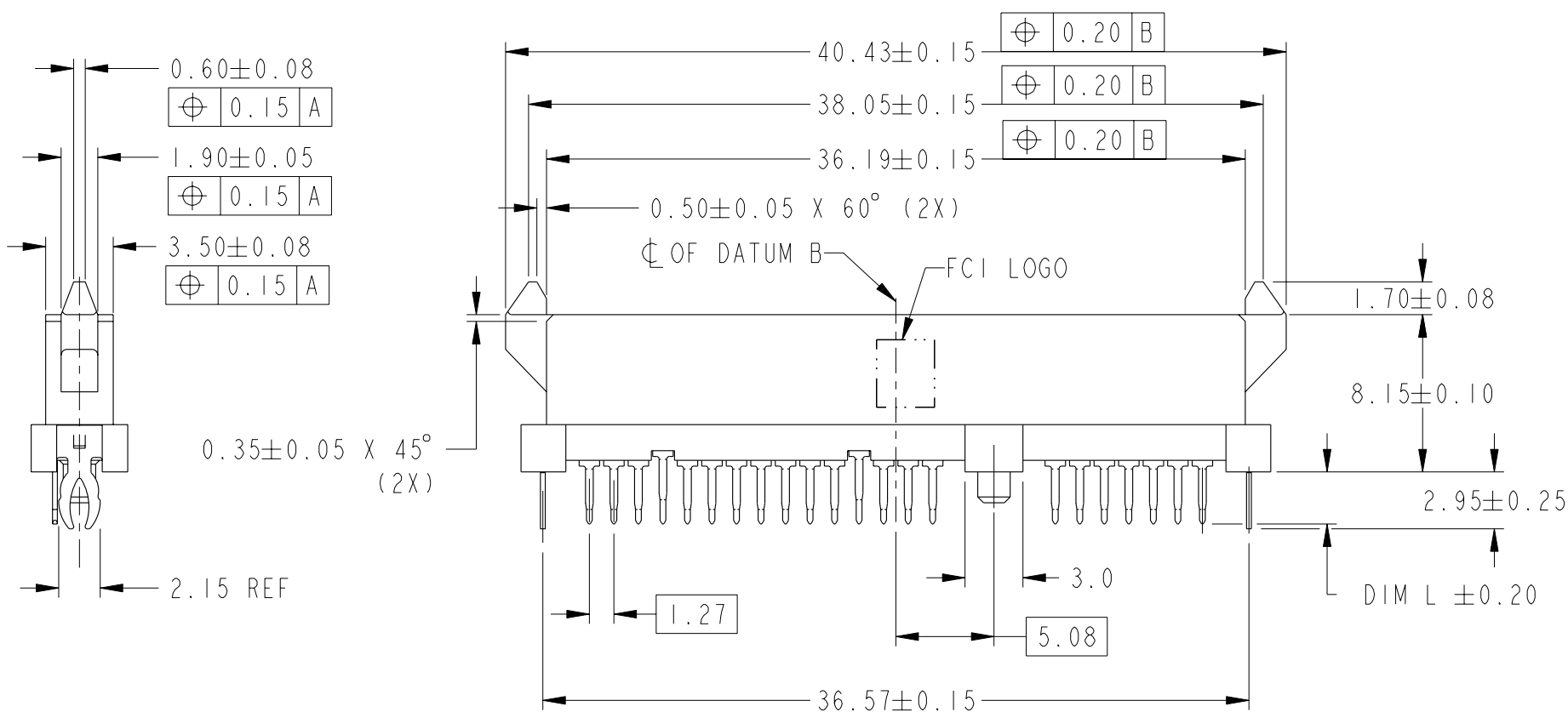
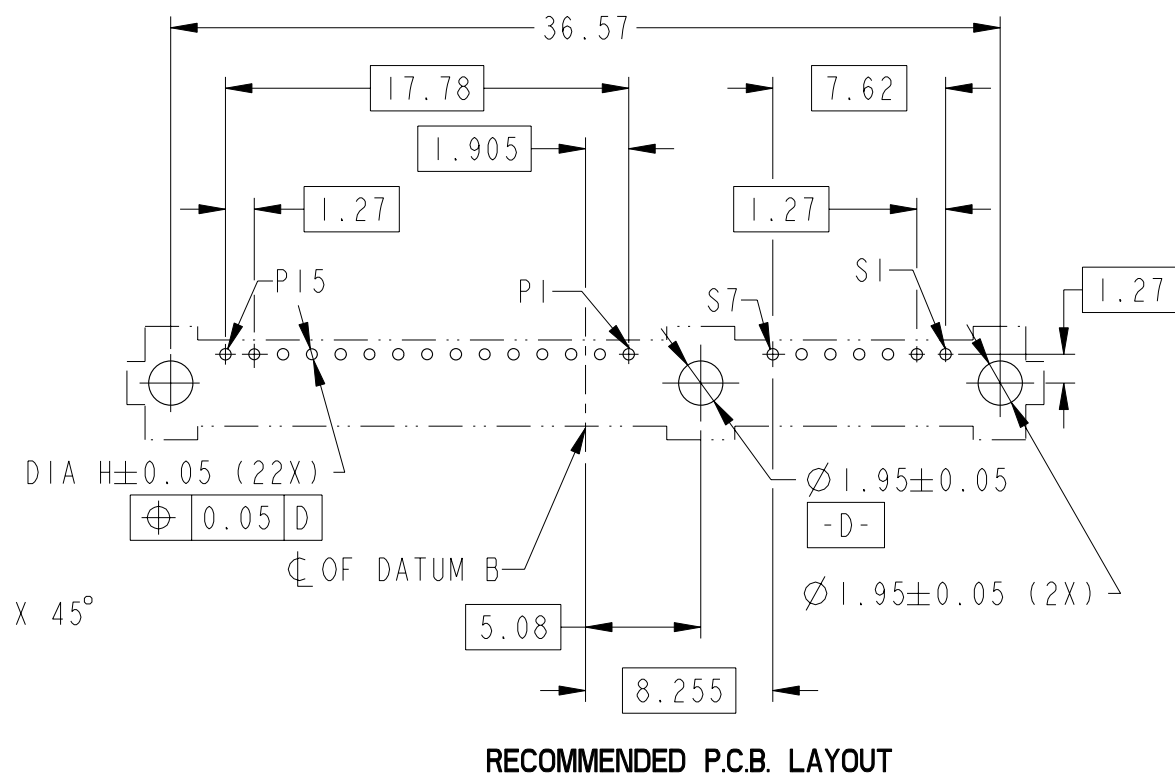
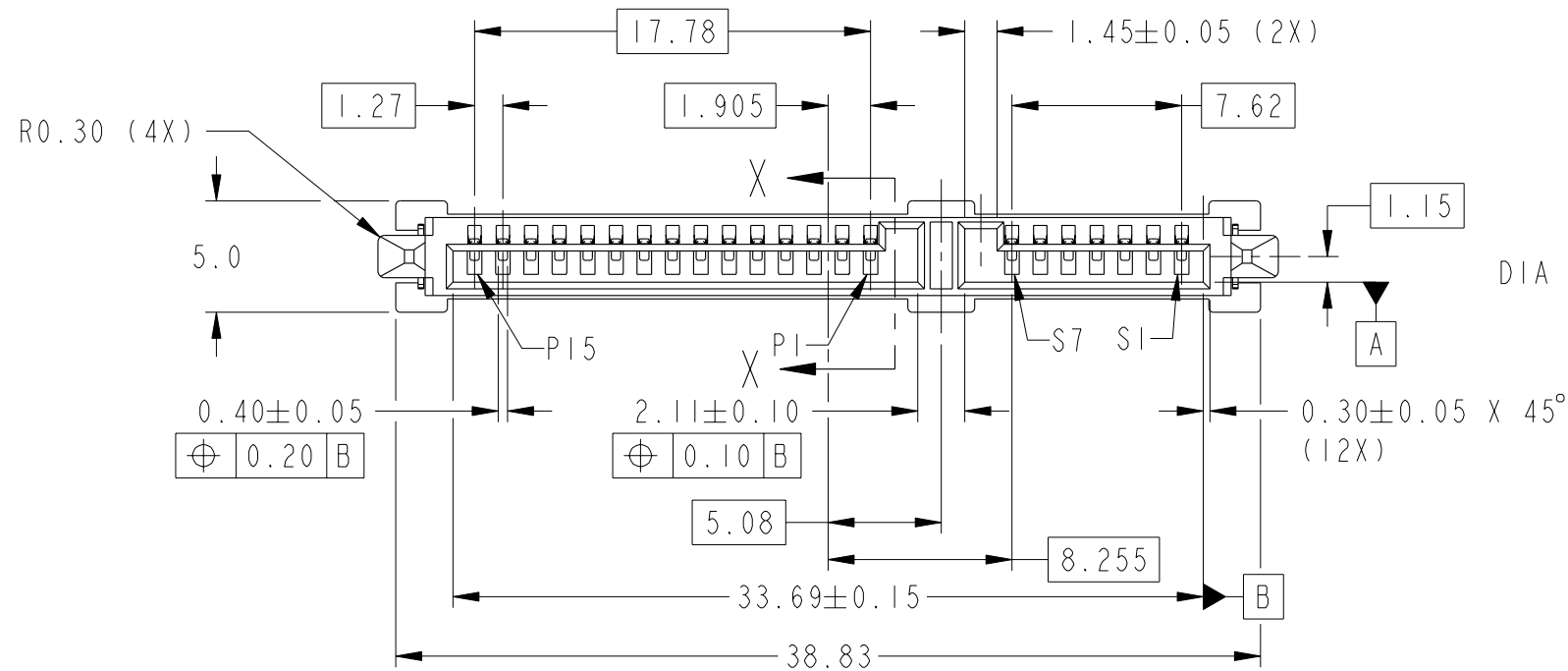


PRODUCT NO	DIM L	RECOMMENDED P.C. BOARD THICKNESS	DIA "H"
10017660-00ILF	2.70	1.57mm (0.062") / 2.36mm (0.093")	0.50
10017660-01ILF	3.70	2.36mm (0.093")	0.50

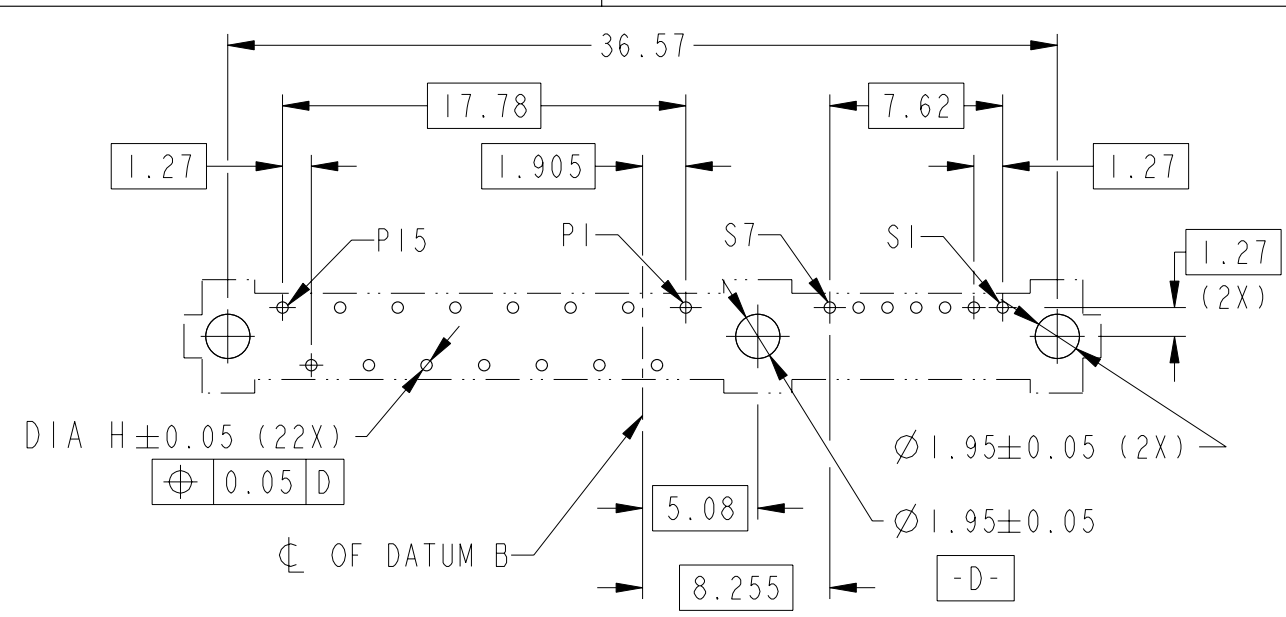


spec ref	-	dr	GL LOO	2004-10-05	projection	MM	size	A3	scale	3:1
tolerance std	ISO 406 ISO 1101	eng	GL LOO	2004-10-05			ecn no	S10-0228		
TOLERANCES UNLESS OTHERWISE SPECIFIED		chr	GL LOO	2010-10-28			product family	S-ATA		
surface	✓	appr	JOEY NG	2010-10-28	rel level		-			
ISO 1302	linear	0.X	±-		title		S-ATA COMB RECEP.		dwg no 10017660	rev E
		0.XX	±0.20		vertical		VERTICAL TH TYPE ASSY			
	angular	0°	±2°		cat. no.		-			
www.fci.com						Product - Customer Drw		sheet 1 of 2		

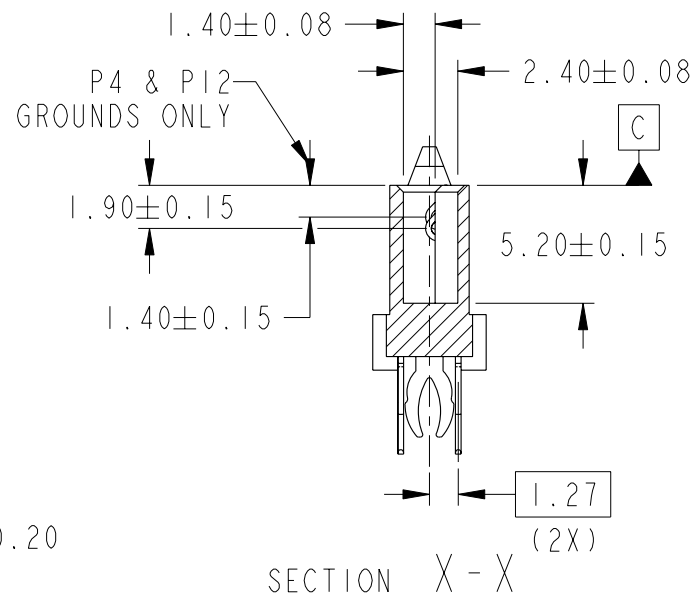


Copyright FCI.

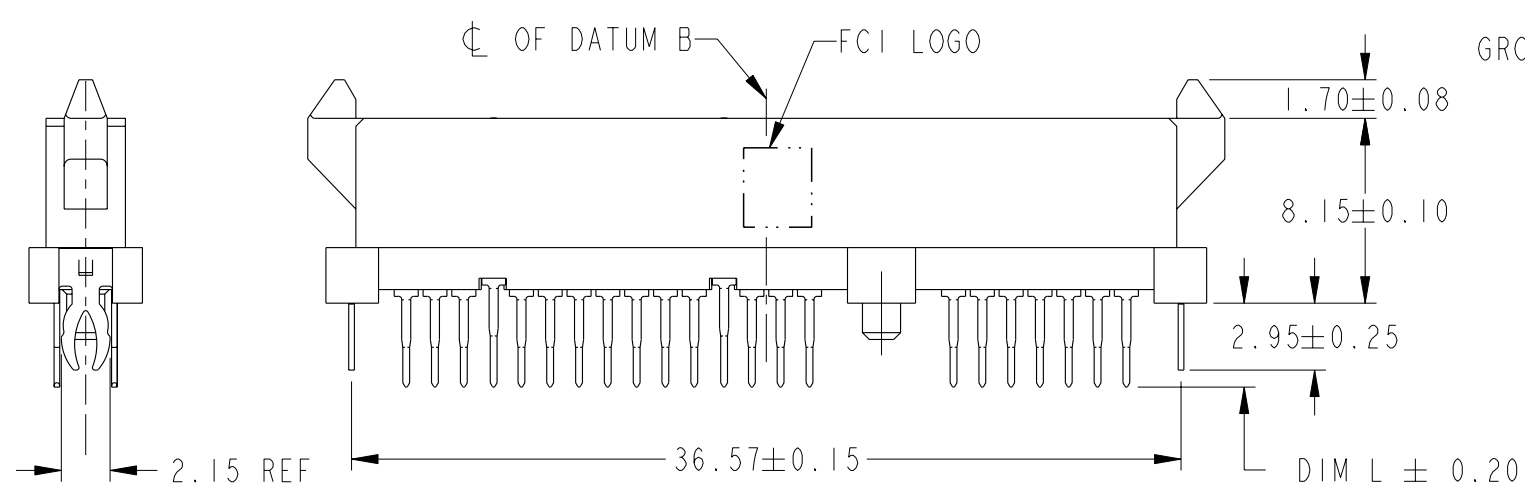
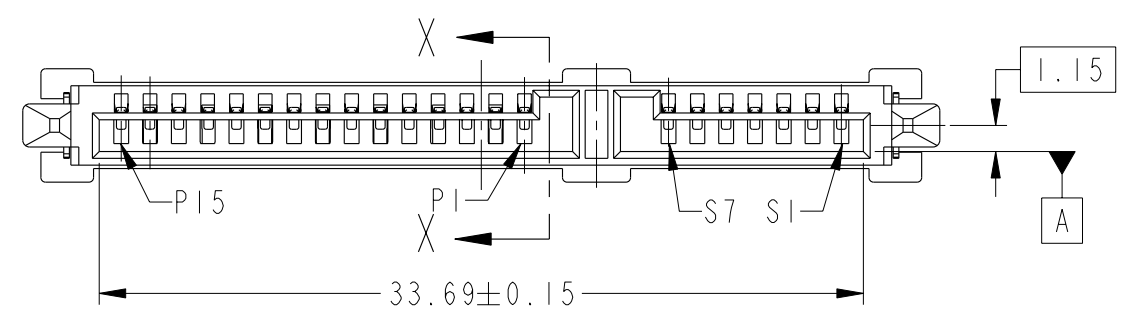
PRODUCT NO	DIM L	RECOMMENDED P.C. BOARD THICKNESS	DIA "H"
10017660-002LF	2.70	1.57mm (0.062") / 2.36mm (0.093")	0.50
10017660-012LF	3.70	2.36mm (0.093")	0.50



RECOMMENDED P.C.B. LAYOUT



SECTION X-X



NOTE : ALL OTHER DIMENSIONS REFER TO SHEET 1.

NOTES:

- MATERIAL:
 - HOUSING : HIGH TEMP, THERMOPLASTIC, UL 94V-0
COLOR : BLACK
 - TERMINAL : COPPER ALLOY
 - HOLD DOWN : COPPER ALLOY
- FINISH :
 - TERMINAL : 30µ" Au PLATING (CONTACT POINT) OVER 50µ" MIN NICKEL
 - SOLDER TAIL : 100µ" MIN TIN OVER 50µ" MIN NICKEL
 - HOLD DOWN : 100µ" MIN TIN OVER 50µ" MIN NICKEL
- TRUE POSITION NOTES APPLY AT TERMINAL TIP
- PER S-ATA SPEC REV 1.0a
- THE STD PACKAGING IS IN TRAY

- THE HOUSING WILL WITHSTAND EXPOSURE TO 260°C PEAK TEMPERATURE FOR 10 SECONDS IN A WAVE SOLDER APPLICATION WITH A 1.57MM MINIMUM THICK CIRCUIT BOARD
- THIS PRODUCT MEETS EUROPEAN UNION DIRECTIVES AND OTHER COUNTRY REGULATIONS AS DESCRIBED IN GS-22-008
- PART NUMBERS ENDING IN "LF" MEANS FOR NOTE 7 LEAD FREE IDENTIFICATION
~~P/N XXXXXXXX-XXXLF IS EQUIVALENT TO PREVIOUS P/N XXXXXXXX-XXX~~
- A \triangle E SYMBOL WILL BE NEXT TO ANY DIMENSION, VIEW, OR NOTE WHICH HAS BEEN MODIFIED WITH THE CURRENT DRAWING REVISION.

spec ref	-	dr	GL LOO	2004-10-05	projection	MM	size	A3	scale	3:1
tolerance std	ISO 406 ISO 1101	eng	GL LOO	2004-10-05			ecn no	S10-0228	rel level	-
TOLERANCES UNLESS OTHERWISE SPECIFIED		chr	GL LOO	2010-10-28						
surface	ISO 1302	appr	JOEY NG	2010-10-28			rel level	-		
	linear	0.X	±-				dwg no	10017660	rev	E
		0.XX	±0.20							
		0.XXX	±-							
	angular	0°	±2°							



S-ATA COMB RECEPTOR
VERTICAL TH TYPE ASSY

cat. no. - Product - Customer Drw
sheet 2 of 2



Copyright FCI.