

RoHS COMPLIANT BY EXEMPTION

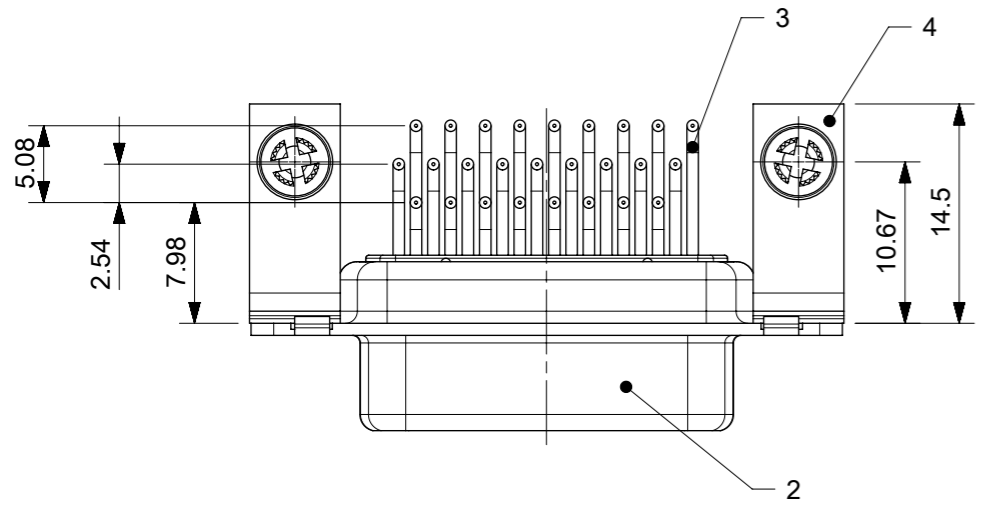


TABLE FOR PART NUMBERS

MOLEX PART#	FCT PART#	X-X	A[mm]	B[mm]	C[mm]	E*[mm]	F*[mm]	NO. OF CONTACTS 1./2./3. ROW	FORMERLY PART NO
1731130156	F09-15S135G0-5979	09-15	30.8	16.4	25	Ø1	Ø3	5/5/5	
1731130157	F15-26S135G0-5979	15-26	39.1	24.7	33.3			9/9/8	CT15-26S135-5805
1731130158	F25-44S135G0-5979	25-44	53	38.5	47.04			15/15/14	CT25-44S135-5805

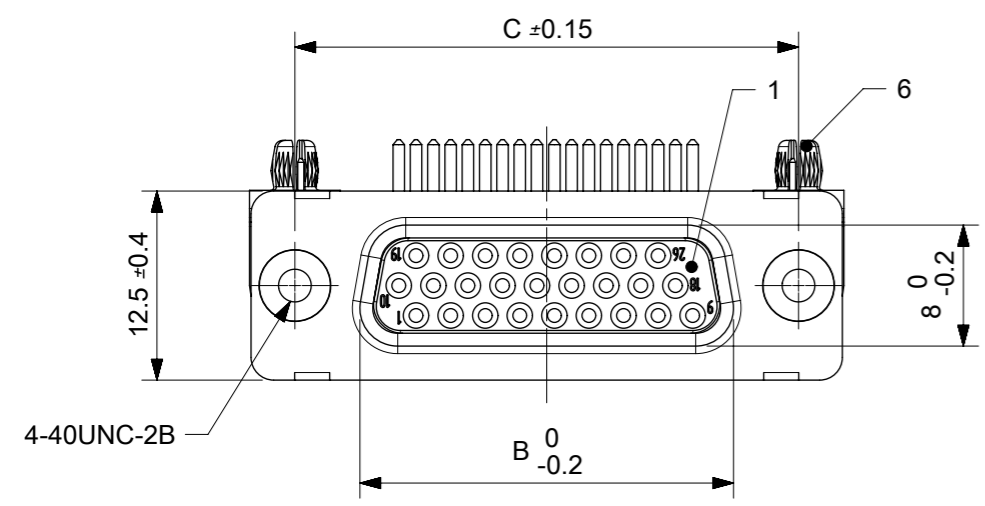
*PCB HOLE PATTERNS, ØE, ØF, ON SUPPLEMENT 1731131003

TABLE FOR GENERAL TOLERANCES

PERMISSIBLE DEVIATIONS FOR BASIC SIZE RANGE				
0.5 UPTO	OVER 3 UPTO	OVER 6 UPTO	OVER 30 UPTO	OVER 120 UPTO
3	6	30	120	400
±0.1	±0.1	±0.2	±0.3	±0.5

X-X NO. OF CONTACTS 09-15, 15-26, 25-44

6	2	SNAP-IN RIVET	PCB 1.6mm / BRASS	TIN PLATED
5	2	CLINCH NUT	4-40 / STEEL	TIN PLATED
4	2	BRACKET	F1080-29 / STEEL	TIN PLATED
3	X-X	SIGNAL CONTACT, MACHINED	HS135 / BRASS	0.8µm Au
2	1	SHELL	STEEL	TIN PLATED
1	1	INSULATOR	THERMOPLASTIC, GF	BLACK
NO.	St.	PART	TYPE DESCRIPTION/MATERIAL	SURFACE PLATING/COLOUR/CLASS



THIS DRAWING CONTAINS INFORMATION THAT IS PROPRIETARY TO MOLEX ELECTRONIC TECHNOLOGIES, LLC AND SHOULD NOT BE USED WITHOUT WRITTEN PERMISSION

QUALITY SYMBOLS ▽ = 0 ▽ = 0 ▽ = 0 ▽ = 0 ▽ = 0 ▽ = 0 ▽ = 0 ▽ = 0 ▽ = 0 ▽ = 0	DRAWING UPDATED EC NO: 121239 DRWN: ISHWARG CHK'D: KPRASAD APPR: KPRASAD	2017/08/30 2017/08/30	GENERAL TOLERANCES (UNLESS SPECIFIED)		DIMENSION UNITS	SCALE			
			ANGULAR TOL ± °		mm	2:1			
			4 PLACES ±	3 PLACES ±	DRWN BY	DATE			
			2 PLACES ±	1 PLACE ±	RLALSANGI	2017/04/14			
0 PLACES ±	DRAFT WHERE APPLICABLE MUST REMAIN WITHIN DIMENSIONS	CHK'D BY	DATE	ISHWARG	2017/06/07	PRODUCT CUSTOMER DRAWING			
		APPR BY	DATE	ISHWARG	2017/06/07	SERIES	MATERIAL NUMBER	CUSTOMER	
		DRAWING SIZE	THIRD ANGLE PROJECTION	A3		173113	SEE TABLE	GENERAL MARKET	
						DOCUMENT NUMBER	DOC TYPE	DOC PART	SHEET NUMBER
						1731130156	PSD	000	1 OF 1

