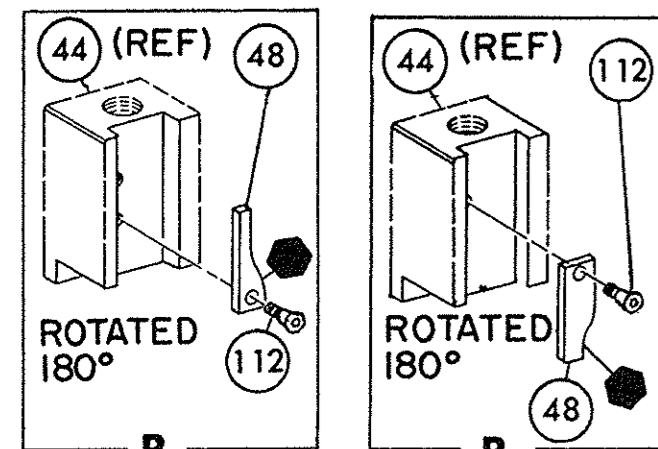


PRE-FEED $1\frac{1}{8}$ " STROKE POST-FEED $1\frac{5}{8}$ " STROKE



NOTES:

I- ONLY THE ITEMS WITH QUANTITIES SPECIFIED ON PARTS LIST ARE USED ON THIS APPLICATOR.

⚠️ USED IN PLACE OF ITEM 38 WHEN INSULATION CRIMP IS NOT USED.

⚠️ GUARD MUST BE IN PLACE WHEN OPERATING APPLICATOR IN AMP-O-LECTRIC PRESS.

A- ITEMS WITH QTY. OF REF. SPECIFIED (EXCEPT ITEM 79) ARE USED ON ITEM 4G.

⚠️ CUT TO LENGTH AT 45°.

⬛ RECOMMENDED SPARE PARTS

⚠️ LUBRICATE DAILY USING NO. 20 MACHINE OIL.

⚠️ GREASE LIGHTLY



QTY	PART NO	DESCRIPTION	ITEM NO					
REF.	21045-3	RING, RETAINING 'C' (.187 DIA) FEED FINGER PIN	145					
REF.	454220-1	CAP, HOUSING	59					
REF.	454485-1	HOUSING	58					
REF.	5-21028-1	PIN, SLOT SPR (.125 DIA X .50) ADJ ROD	143					
1	4-21028-0	PIN, SLOT SPR (.093 DIA X .75) STR G PLATE	142					
REF.	1-21030-1	PIN, DOWEL (.187 DIA X .50) LEVER	141					
REF.	1-21030-6	PIN, DOWEL (.187 DIA X 1.25) HOUSING	140					
REF.	21024-5	WASHER, LOCK (NO 10) LUB ASSY	139					
1	21024-5	WASHER, LOCK (NO 10) STRIP GUIDE ADJ BLOCK	138					
REF.	21024-5	WASHER, LOCK (NO 10) ADJ PLATE	137					
REF.	21024-5	WASHER, LOCK (NO 10) FEED GUIDE ROD	136					
3	21057-2	WASHER, LOCK (NO 4) FRONT STRIP GUIDE	135					
1	21024-4	WASHER, LOCK (NO 8) FEED FINGER	134					
2	21024-4	WASHER, LOCK (NO 8) DEPRESSOR	133					
1	21024-4	WASHER, LOCK (NO 8) STRIPPER	132					
REF.	21899-4	WASHER, FLAT (5/16 DIA) SCREW ADJ	131					
REF.	21899-2	WASHER, FLAT (NO 10) LUB ASSY	130					
1	21068-5	NUT, HEX MACH (6-32) HOLDDOWN	129					
REF.	21068-5	NUT, HEX MACH (6-32) FEED ADJ	128					
127								
1	22353-8	SCR, SHLD. (.187 DIA X .250 LG) DRAG LEVER	126					
1	456567-1	SCR, SHLD. (.189 DIA X .12)	125					
1	21009-2	SCR, SKT SET (1/4-20 X .25) (LOC-WEL) RAM	124					
REF.	6-23715-4	SCR, PANHD MACH (6-32 X 1.25) FEED ADJ	122					
2	3-21002-0	SCR, BUT HD SKT CAP (10-32 X .38) DRAG	120					
1	22733-8	SCR, BUT HD SKT CAP (8-32 X .38) (LOC-WEL) ANVIL	119					
REF.	2-21002-9	SCR, BUT HD SKT CAP (10-32 X .75) CAP	118					
REF.	2-22733-8	SCR, BUT HD SKT CAP (1/4-20 X .62) HOUSING	117					
REF.	2-21002-7	SCR, BUT HD SKT CAP (10-32 X .50) SG ADJ BLOCK	116					
2	2-21002-2	SCR, BUT HD SKT CAP (8-32 X .50) SHEAR	115					
2	2-21002-2	SCR, BUT HD SKT CAP (8-32 X .50) R STRIP GUIDE	114					
113	2	1-22284-0	SPRING, DRAG	27				
1	1-21002-7	SCR, BUT HD SKT CAP (6-32 X .38) CAM	112					
REF.	3-21000-4	SCR, SKT HD CAP (10-32 X .38) LUBRICATOR ASSY	111					
2	23030-1	SCR, SKT HD CAP (6-32 X .25) (LOC-WEL) CP DISC	110					
2	2-21000-7	SCR, SKT HD CAP (6-32 X .25) REAR SHEAR PLATE	109					
1	2-21000-7	SCR, SKT HD CAP (8-32 X .48) DEPRESSOR	108					
1	2-22603-0	SCR, HEX HD MACH (8-32 X .31) FEED FINGER	107					
3	1-21000-3	SCR, SKT HD CAP (4-40 X .25) F STRIP GUIDE	106					
1	2-21000-7	SCR, SKT HD CAP (8-32 X .50) STRIPPER	105	1				
REF.	3-21000-7	SCR, SKT HD CAP (10-32 X .75) FEED ROD GUIDE	104					
REF.	3-21000-6	SCR, SKT HD CAP (10-32 X .62) FEED ADJ BLOCK	103					
1	3-21000-4	SCR, SKT HD CAP (10-32 X .38) SG ADJ BLOCK	102	1				
REF.	3-21000-4	SCR, SKT HD CAP (10-32 X .38) PIVOT BLOCK	101					
REF.	455789-1	GUARD, WINDOW	79					
REF.	1-465184-0	LUBRICATOR ASSY	78					
1	461264-1	PLATE, IDENTIFICATION	77	1				
2	21017-2	SCR, DRIVE (2 X .19) ID PLATE	75	1				
REF.	458109-1	WASHER, SPECIAL	74	1				
REF.	454877-3	PLATE, STRIP GUIDE COVER	73	1				
2	690603-1	SPRING, ASSIST	72					
REF.	690517-1	SPACER	71					
REF.	22594-8	NUT, HEX	70	1				
1	240628-1	PLATE, ADJUSTMENT	69	1				
1	240626-1	SHAFT, PIVOT	68	1				
1	240633-1	BUSHING	67	1				
1	455680-1	LEVER, INTERMEDIATE	66	1				
1	240629-1	BLOCK, PIVOT	65					
1	240632-2	SCREW, ADJUSTMENT FEED ROD	64					
1	240659-3	PIN, CAM ROLLER	63					
1	240658-1	ROLLER, CAM	62					
1	454398-2	ROD, FEED	61					
REF.	454178-1	GUIDE, FEED ROD	60					
QTY	PART NO	DESCRIPTION	ITEM NO	QTY	PART NO	DESCRIPTION	ITEM NO	
				CRIMPING DATA		APPLICATOR WILL APPLY		
				PAD LTR	CRIMP HEIGHT	WIRE SIZE	WIRE STRIP LENGTH	
				A	.046	18		
				B	.040	20		
				C	.037	22		
				D	NOT USED			
				CRIMP	SIZE	TYPE	FEED	APPL INST
				WIRE	.070	F	.440	A1 8040
				INSUL	.140	O		
				WIRE RANGE	22-18	INSULATION RANGE	1.060-.100*	566435-5
				REMARKS				
				PRE-FEED AMP-O-LECTRIC				
				GUIDE OFF INSULATION BARREL				
				* INS. RANGE OF G3242 IS .080 TO .120				

APPL USED ON MACHINE PART NO	MACH SERIAL NO	DISTRIBUTION
CUSTOMER NAME	APPL SERIAL NO	ORIGINAL
ADDRESS	PURCHASE ORDER	CUSTOMER COPY
CITY	ENG APP	FIELD ENG COPY

REV 1	DATE	DESCRIPTION	BY	CHKD	APPD
1	12/10/92	SET UP GAGE	JYD	JYD	JYD
2	12/11/92	DR #10-75	DR	DR	DR
3	01/18/93	REV PER ECN R-4689	ECN	ECN	ECN
4	01/27/93	REV PER ECN R 3101	ECN	ECN	ECN
5	02/03/93	REV PER ECN R 2266	ECN	ECN	ECN
6	02/03/93	REV PER ECN R 1756	ECN	ECN	ECN

AMP INCORPORATED Harrisburg, Pa. **AMP**

NO. 46501-2

NAME: MINIATURE QUICK CHANGE APPLICATOR

DATE: 12/10/92

BY: JYD

CHKD: JYD

APPD: JYD