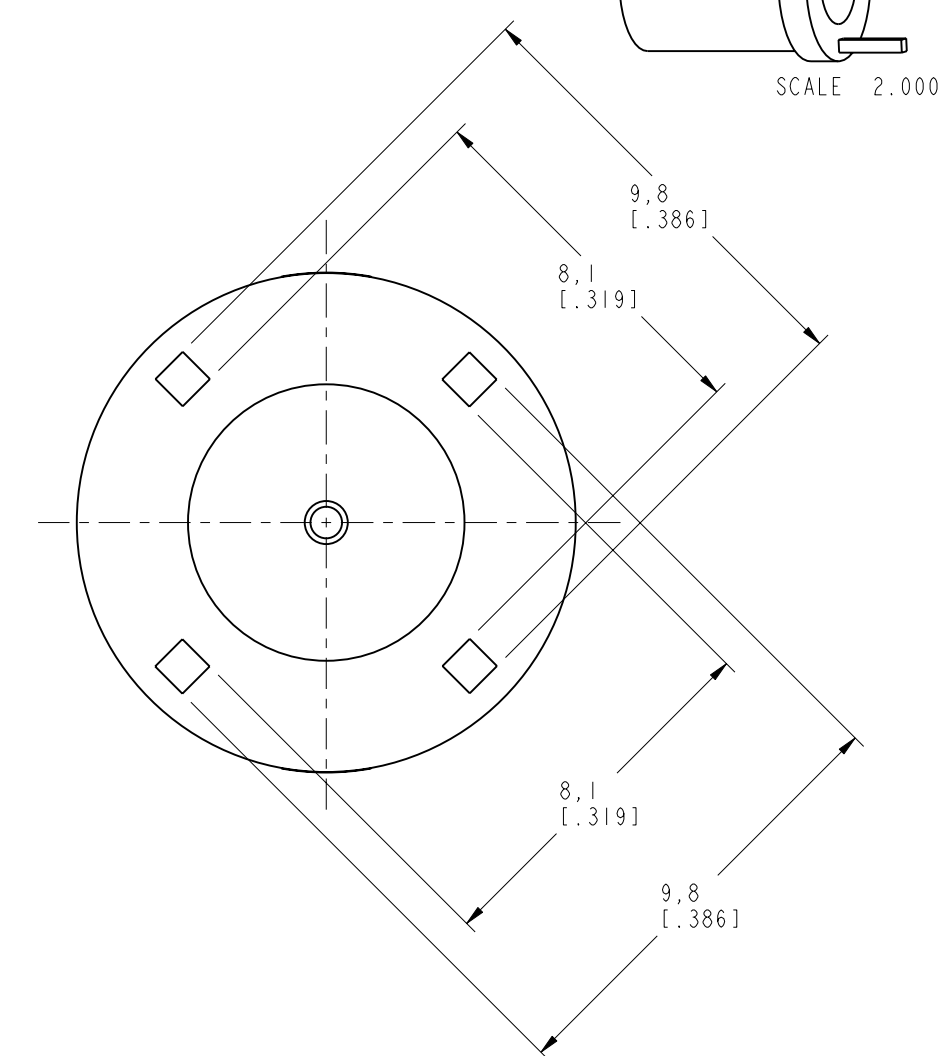
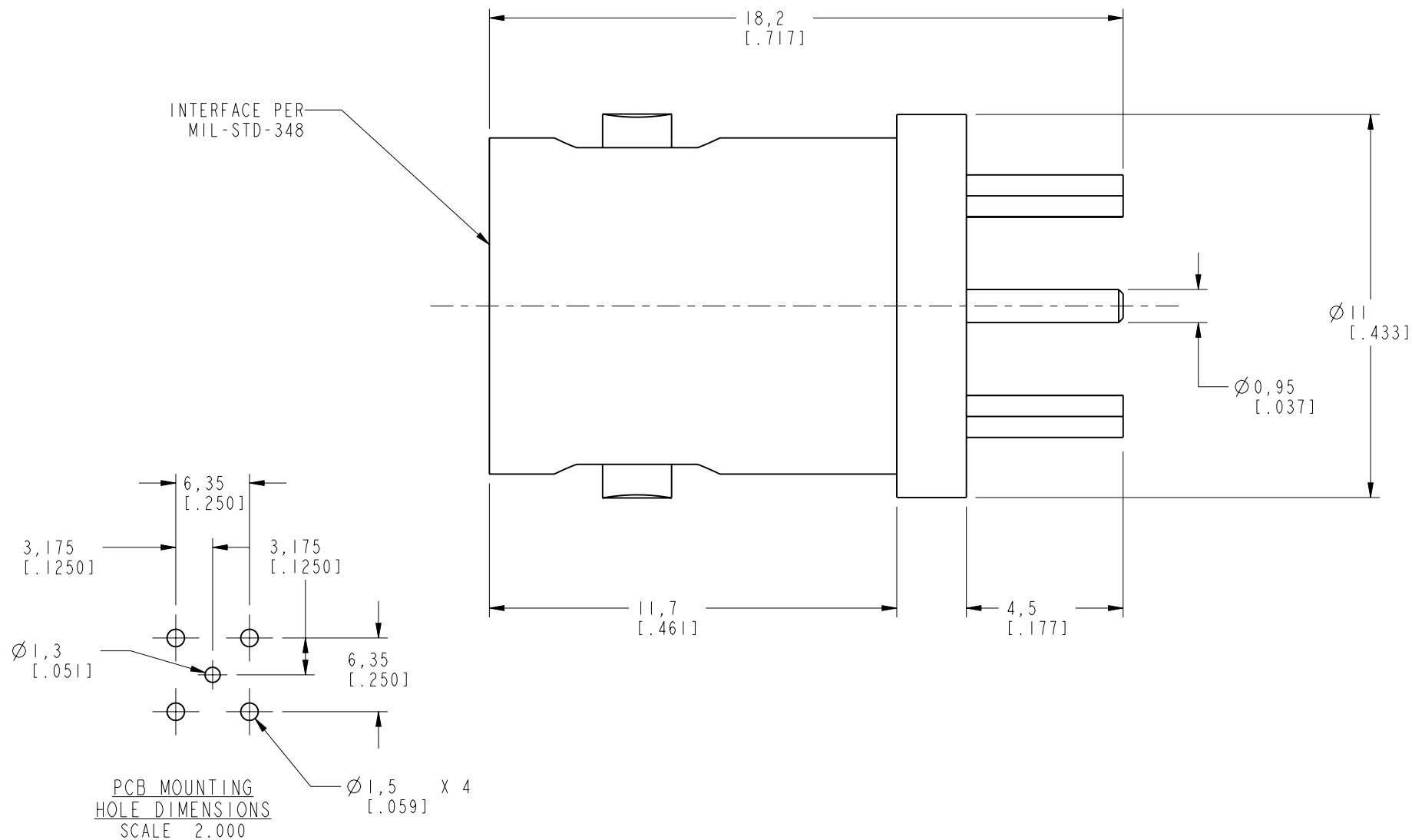
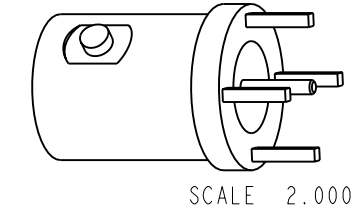


NOTES:

1. MATERIALS OF CONSTRUCTION:
 BODY = BRASS (ASTM-B16 H02, C36000), NICKEL PLATED (.000100 MIN THICK)
 CONTACT PIN = PHOSPHOR BRONZE (QQ-B-750), GOLD PLATED (.000003 MIN THICK)
 INSULATOR = PTFE, ASTM D 1710 OR EQUIV
 LOCK RING = BRASS (QQ-B-613), NICKEL PLATED (.000100 MIN THICK)
2. ELECTRICAL:
 A. IMPEDANCE: 50 OHM
 B. FREQUENCY RANGE: DC - 4 GHz
3. PHYSICAL:
 A. TEMPERATURE RANGE: -65° C TO +165° C
4. PACKAGING:
 A. QUANTITY: SINGLE PACK
 B. MARKING: BAG TO BE MARKED
 "AMPHENOL, 31-5976-50RFX, AND DATE CODE"

| | | | | | |
|-------------------|-----|-----------------|---------|-------|------|
| 31-5976-50RFX | | REVISIONS | | | |
| DRAWING NO. | REV | DESCRIPTION | DATE | ECO | APPR |
| THIRD ANGLE PROJ. | A | RELEASE TO MFG. | 3/26/03 | 44405 | CPM |



CUSTOMER OUTLINE DRAWING
 ALL OTHER SHEETS ARE FOR INTERNAL USE ONLY

| | | | | | |
|---|-------------------------|------------------------------|-----------------|---|--|
| UNLESS OTHERWISE SPECIFIED, DIMENSIONS ARE IN INCHES AND TOLERANCES ARE: 0.5 - 6mm ±0.2mm 6 - 30mm ±0.4mm 30 - 120mm ± 0.6mm | MATERIAL | DRAWN C. McGRATH | DATE 3/17/03 | TITLE BNC P.C. MOUNT RECEPTACLE JACK | Amphenol Amphenol Corporation Communication and Network Products Division Danbury, CT U.S.A. 06810 |
| | REFERENCE | ENGINEER O. BARTHELMES | DATE 3/17/03 | | |
| NOTICE - These drawings, specifications, or other data (1) are, and remain the property of Amphenol Corp. (2) must be returned upon request; and (3) are confidential and not to be disclosed to any person other than those to whom they are given by Amphenol Corp. The furnishing of these drawings, specifications, or other data by Amphenol Corp., or to any other person to anyone for any purpose is not to be regarded by implication or otherwise in any manner licensing, granting rights or permitting such holder or any other person to manufacture, use or sell any product, process or design, patented or otherwise, that may in any way be related to or disclosed by said drawings, specifications, or other data. | GEN# 31-5976-50RFX_ASSY | APPROVED O. BARTHELMES | DATE 3/26/03 | CODE ID 74868 | DWG SIZE B |
| | | DRAWING NO. 31-5976-50RFX | | REV A | SCALE: 6.0:1 |