

THIS DRAWING IS UNPUBLISHED. RELEASED FOR PUBLICATION

© COPYRIGHT BY TYCO ELECTRONICS CORPORATION. ALL RIGHTS RESERVED.

LOC	DIST	REVISIONS			
P	LTR	DESCRIPTION	DATE	DWN	APVD
ES	00	SEE SHEET 1	-	-	-

NOTE:
 1. USE WITH:MT REC CONN P/N: X-353293-X
 CRIMP HSG P/N: X-353908-X
 CRIMP CONT P/N: 353907-1
 353918-1(L/P)

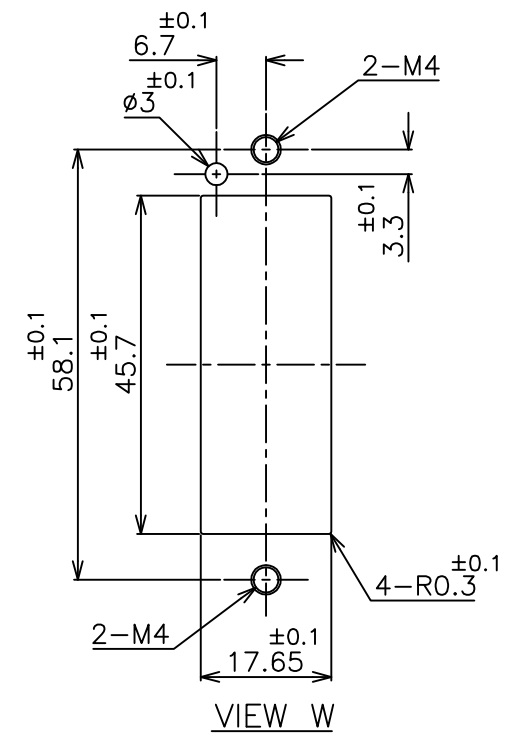
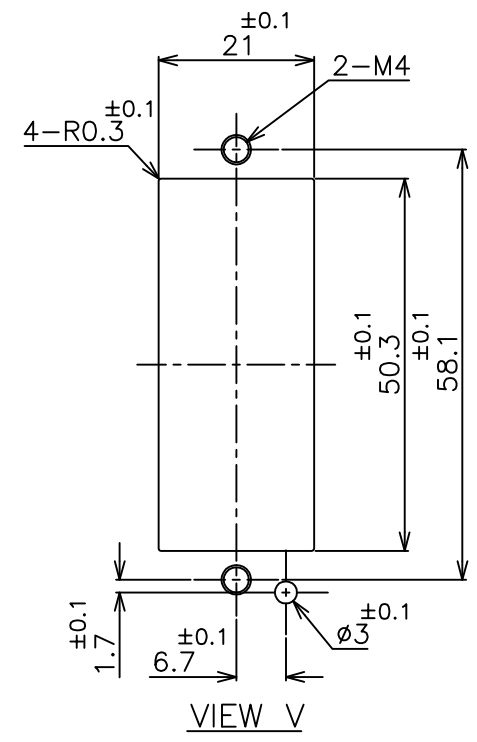
△ APPRICABLE POWER AND GND CONTACT P/N

FINISH	AWG	POWER STRIP	GND STRIP
GOLD PL. & TIN-LEAD PL.	#16-20	0-179316-2	0-316458-2
GOLD PL. & TIN PL.	#20-24	0-179317-2	-
GOLD PL. & TIN PL.	#16-20	0-179316-4	0-316458-4
TIN PL.	#20-24	0-179317-4	-
ALL TIN PL.	#16-20	1-179316-2	1-316458-2
	#20-24	1-179317-2	-

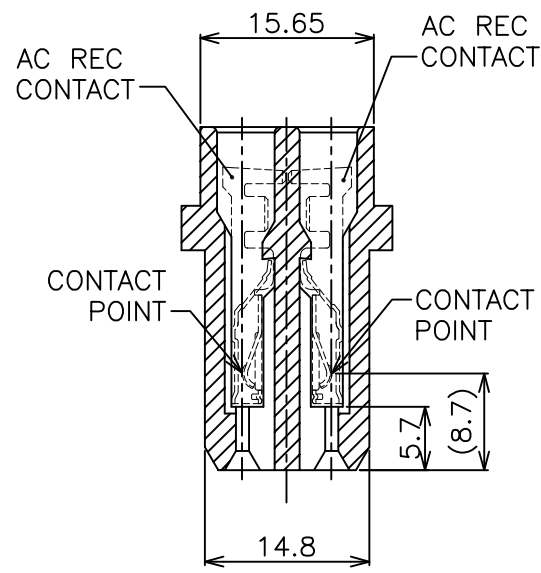
△ APPRICABLE POWER CONTACT P/N

FINISH	AWG	POWER STRIP
GOLD PL. & TIN-LEAD PL.	#16-20	0-179316-2
GOLD PL. & TIN PL.	#20-24	0-179317-2
GOLD PL. & TIN PL.	#16-20	0-179316-4
TIN PL.	#20-24	0-179317-4
ALL TIN PL.	#16-20	1-179316-2
	#20-24	1-179317-2

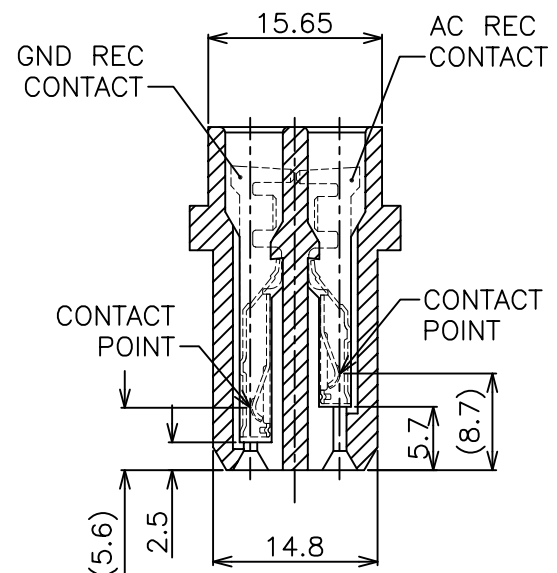
- △ MATERIAL;
HOUSING : PBT G.F. UL94V-0 COLOR:BLACK
SIGNAL CONTACT : BRASS
- △ CONTACT FINISH;
DRAWER CONTACT AREA : NICKEL PL. ALL OVER GOLD PL.
POST AREA : NICKEL PL. ALL OVER TIN PL.
- △ P : NUMBER OF POWER CONTACT (UNASSEMBLED)
S : NUMBER OF SIGNAL CONTACT (ASSEMBLED)
- 6. COUNTER MATING CONNECTOR P/N : 2-1674754-0
- △ GENERAL TOLERANCE
10 ≥ : ±0.2
30 ≥ >10 : ±0.25
100 ≥ >30 : ±0.3
ANGLES : ±3°
- 8. RECOMMENDED TIGHTENING TORQUE FOR PANEL INSTALLATION : 0.49Nm MAX. (5kgfcm MAX.)



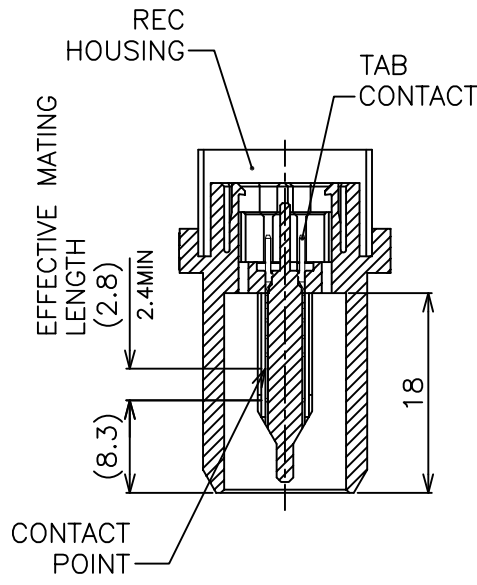
PANEL CUT DIMENSIONS (CONNECTOR MATING SIDE)



SECT A-A
2-1674755-1 AS SHOWN



SECT A-A
2-1674755-0 AS SHOWN



SECT B-B

THIS DRAWING IS A CONTROLLED DOCUMENT.		DWN		TE Connectivity	
DIMENSIONS: mm		CHK			
TOLERANCES UNLESS OTHERWISE SPECIFIED:		APVD		NAME	
0 PLC ± 1 PLC ± 2 PLC ± 3 PLC ± 4 PLC ± ANGLES ±		PRODUCT SPEC		RECEPTACLE ASSY MINI CT HYBRID DRAWER CONNECTOR AC6DC20 TYPE	
MATERIAL FINISH		APPLICATION SPEC		SIZE CAGE CODE DRAWING NO RESTRICTED TO	
		WEIGHT		A3 00779 C=1674755	
		CUSTOMER DRAWING		SCALE NTS SHEET 2 OF 2 REV D	