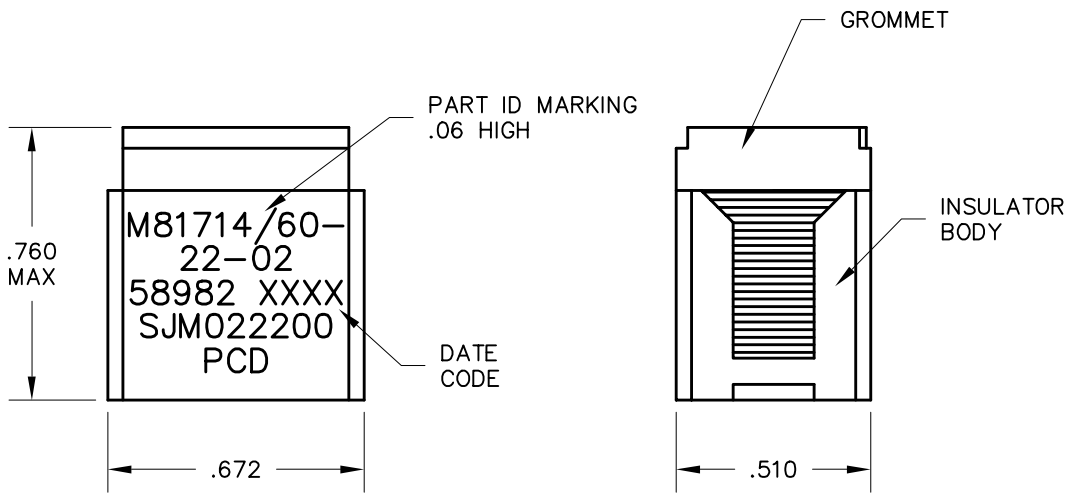
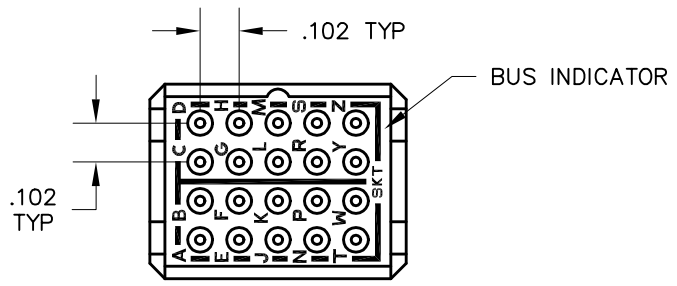


|     |      |            |
|-----|------|------------|
| REV | ECN  | APP'D      |
| H   | 3963 | JC 4/25/00 |
| J   | 4127 |            |



- NOTES:
- MATERIALS:  
 BODY: POLYETHERIMIDE PER MIL-P-46184.  
 GROMMET: SILICONE BLEND ELASTOMER.  
 CONTACT RETAINERS: BERYLLIUM COPPER.  
 INTERNAL PIN CONTACTS: COPPER ALLOY,  
 HARD GOLD PLATE PER MIL-G-45204.
  - PERFORMANCE SPECIFICATIONS:  
 OPERATING TEMP: -65° TO 200°C  
 INSULATION RESISTANCE: 5000 MEGOHMS MIN @ 25°C  
 DIELECTRIC WITHSTANDING VOLTAGE:  
 1500 VRMS AT SEA LEVEL  
 AND 200 VRMS AT 110,000 FT. ALTITUDE.  
 CURRENT RATING: 5 AMPS  
 VIBRATION AND SHOCK: PER MIL-T-81714,  
 PARAGRAPH 3.5.5 AND 3.5.8.
  - MODULE SUPPLIED WITH 21 SOCKET CONTACTS PER M39029/22-191 AND TWO (2) MS27488-22 SEALING PLUGS.

|   |  |                |                                  |  |             |  |                             |              |
|---|--|----------------|----------------------------------|--|-------------|--|-----------------------------|--------------|
| DIMENSIONS<br>ANSI Y14.5M<br>UNITS: INCHES<br>ACAD FILE | TOLERANCES<br>.XX ±<br>.XXX ±.010<br>ANGLES ±2°  | PROJECTION<br> | <b>SPECIFICATION<br/>DRAWING</b> |  |             | TITLE<br><b>SOCKET JUNCTION MODULE<br/>         SIZE 22 - 2-BUS<br/>         M81714/60-22-02</b> |                             |              |
|   |  |                | ENGR<br>A. PATRIE 4/19/00        |  |             | SIZE<br>A  | DWG NO.<br><b>SJM022200</b> | REV<br>J     |
| ORIGINAL  | THIS DOCUMENT CONTAINS<br>PROPRIETARY INFORMATION WHICH<br>IS THE CONFIDENTIAL PROPERTY<br>OF PCD, INC. PEABODY, MA, USA |                | CHKD<br>J. TON 4/24/00           |  | CODE: 58982 |  | SCALE: 2:1                  | SHEET 1 OF 1 |
|   |  |                | APPD<br>J. CAHALY 4/25/00        |  |             |  |                             |              |