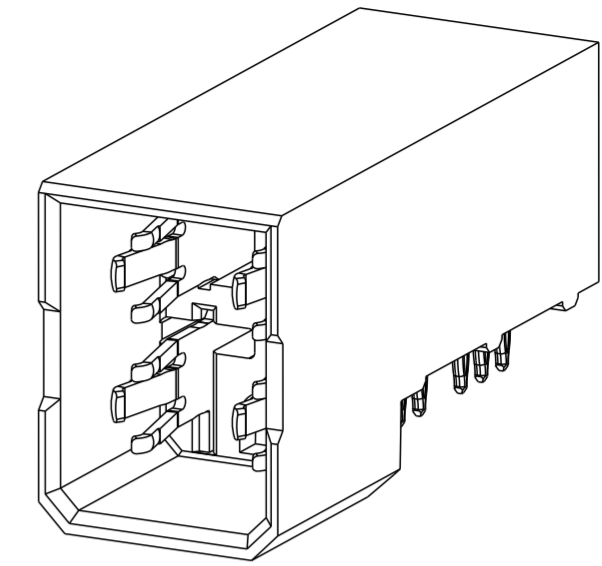
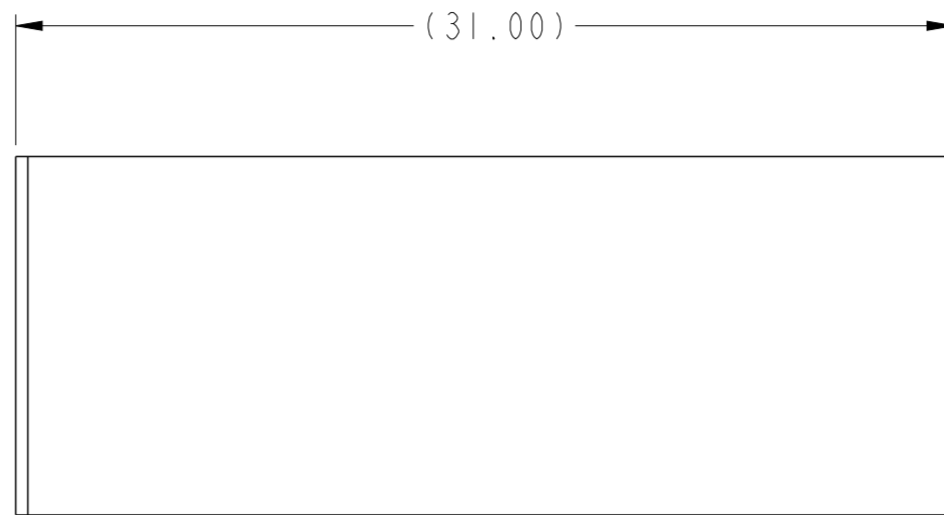
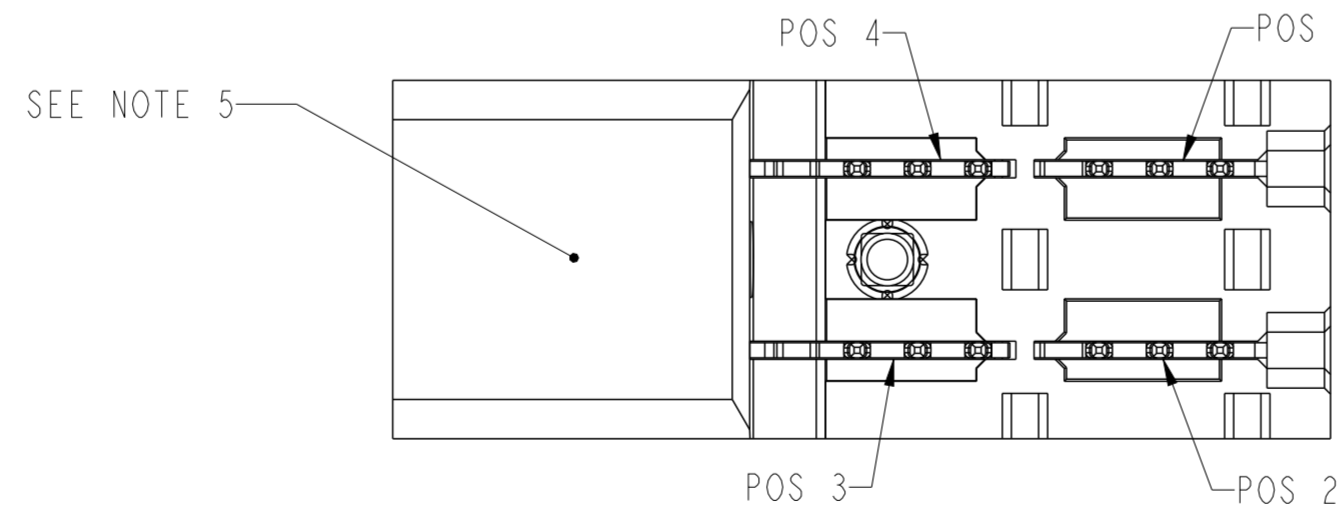
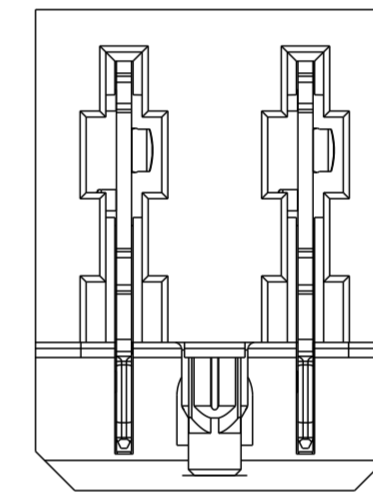
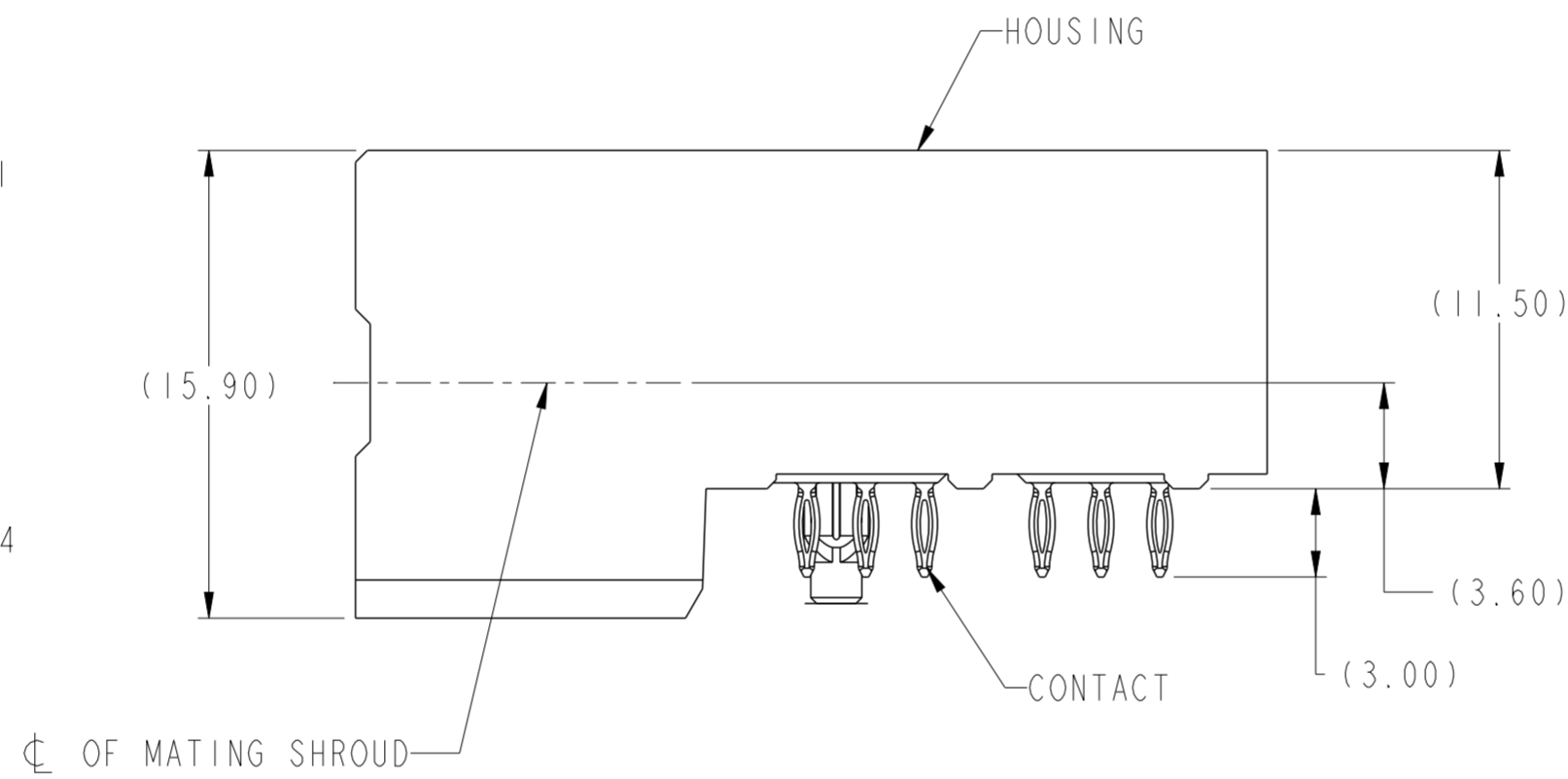
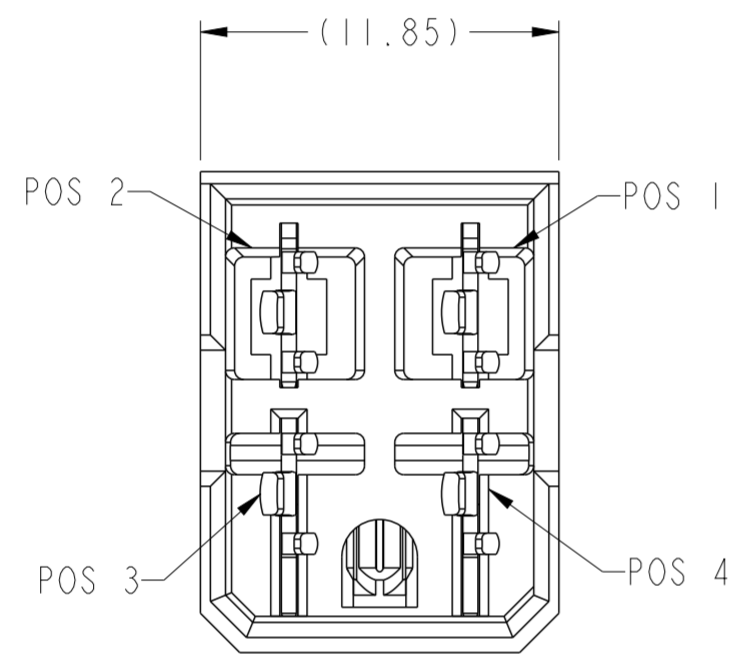


PRODUCT NUMBER	APPLICATION TYPE (Different Footprint)	CONTACT PLATING NOTE
10073379-001LF	Press Fit	NOTE 2
10073379-002LF	Solder	



SCALE 3:1



spec ref	GS-12-220	dr	Chen-Hong Tan	2007/01/09	projection	MM	size	A2	scale	4:1	
tolerance std	ASME Y14.5	eng	Art Lin	2017/06/29			ecn no	ELX-DG-27348-1	rel level	Released	
TOLERANCES UNLESS OTHERWISE SPECIFIED		chr	Tian-Zhao Lin	2017/07/07							
		appr	Heaven Cen	2017/07/07							
surface	linear	0.X	±0.3		product family		2mm High Power		title R/A HEADER ASSY 2X2 AIRMAX POWER 11.5MM HEIGHT cat. no.	dwg no 10073379	rev G
		0.XX	±0.10		Product - Customer Drw		sheet 1 of 3				
ASME Y14.5	angular	0°	±2°								

PDS: Rev :G

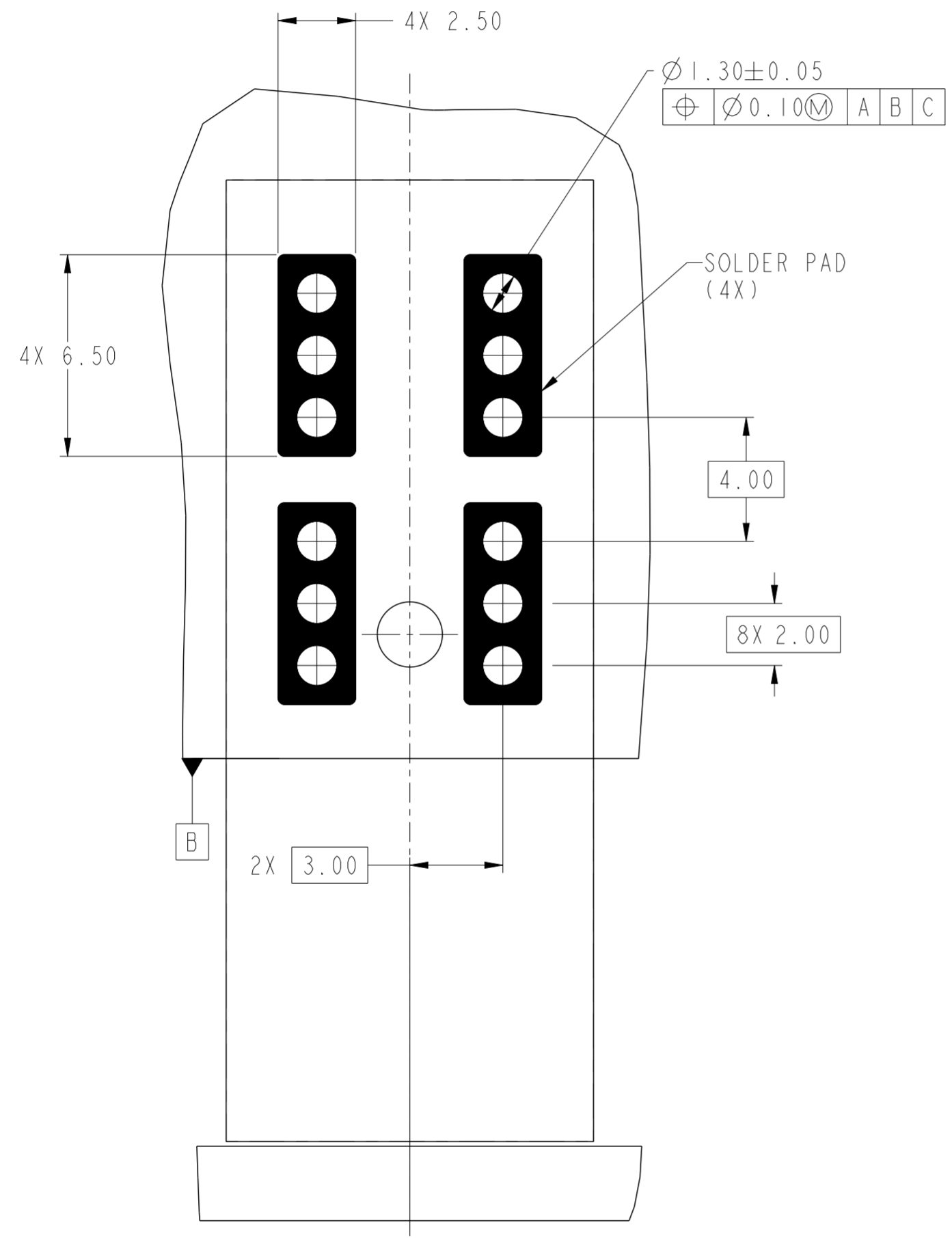
STATUS:Released

Printed: Jul 07, 2017

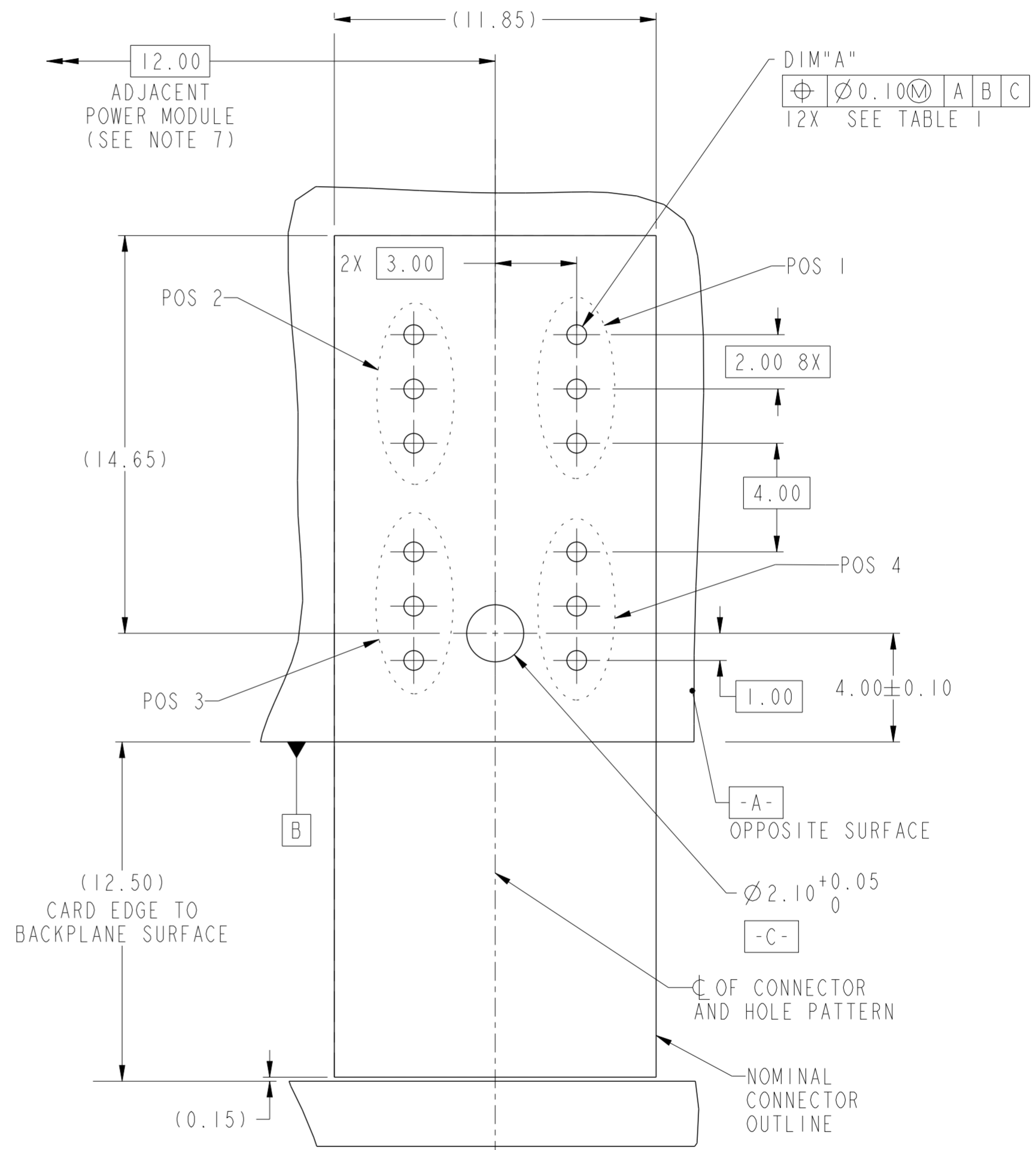
Amphenol FCI

© 2016 AFCl

TOP LAYER DESCRIPTION	TABLE 1 FOR PRESS FIT PLATED THROUGH-HOLE REQUIREMENTS							
	DRILLED HOLE DIAMETER	COPPER THICKNESS	TIN-LEAD THICKNESS	NICKEL THICKNESS	GOLD THICKNESS	TIN THICKNESS	SILVER THICKNESS	FINISHED HOLE DIAMETER (DIM"A")
TIN-LEAD	0.81-0.86 (0.85 DRILL)	0.025 - 0.050	0.005 - 0.015	--	--	--	--	0.65 - 0.80
IMMERSION TIN	0.81-0.86 (0.85 DRILL)	0.025 - 0.050	--	--	--	0.9 - 1.5um	--	0.70 - 0.80
IMMERSION SILVER	0.81-0.86 (0.85 DRILL)	0.025 - 0.050	--	--	--	--	0.15 - 0.65um	0.70 - 0.80
COPPER (SEE NOTE 11)	0.81-0.86 (0.85 DRILL)	0.025 - 0.050	--	--	--	--	--	0.70 - 0.80
GOLD	0.81-0.86 (0.85 DRILL)	0.025 - 0.050	--	0.003 - 0.007	FLASH UP TO 0.0002	--	--	0.69 - 0.80



**RECOMMENDED PCB LAYOUT,
COMPONENT SIDE FOR Solder Tail**
SCALE 6:1
(Stencil Thickness : 0.15mm)




**RECOMMENDED PCB LAYOUT,
COMPONENT SIDE FOR Press-Fit**
SCALE 6:1

The other Features are same with Press-Fit Application

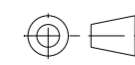

spec ref	GS-12-220	dr	Chen-Hong Tan	2007/01/09	projection	MM	size	A2	scale	4:1
tolerance std	ASME Y14.5	eng	Art Lin	2017/06/29	chr	Tian-Zhao Lin	2017/07/07	ecn no	ELX-DG-27348-1	
	TOLERANCES UNLESS OTHERWISE SPECIFIED	appr	Heaven Cen	2017/07/07	product family		rel level	Released		
surface	linear	0.X	±0.3	Amphenol FCI	R/A HEADER ASSY 2X2		10073379	G		
		0.XX	±0.10		AIRMAX POWER 11.5MM HEIGHT					
		0.XXX	±0.050							
ASME Y14.5	angular	0°	±2°	cat. no.		Product - Customer Drw	sheet 2 of 3			

NOTES:

1. CONNECTOR MATERIALS:
 HOUSING: HIGH TEMPERATURE THERMOPLASTIC, BLACK
 UL 94V-0 COMPLIANT
 CONTACT: HIGH PERFORMANCE COPPER ALLOY
2. CONTACT PLATING:
 PRESS-FIT TAIL: 0.5um MIN MATT TIN OVER NICKEL.
 SEPARABLE INTERFACE: 0.76um MIN GXT OVER NICKEL
3. PRODUCT SPECIFICATION: GS-12-220
4. APPLICATION SPECIFICATION: GS-20-023
5. PRODUCT MARKING (PRODUCT NUMBER & LOT CODE) ON HOUSING.
6. MINIMUM NOMINAL PCB THICKNESS: 1.6mm
7. REFER TO CUSTOMER DRAWING 10035911 FOR INFORMATION REGARDING PCB LAYOUT OF POWER AND GUIDE MODULES RELATIVE TO SIGNAL MODULES.
8. PRODUCT MEETS EUROPEAN UNION DIRECTIVES AND OTHER COUNTRY REGULATIONS AS DESCRIBED IN FCI SPECIFICATION GS-22-008.
9. PACKAGING MEETS FCI SPECIFICATION GS-14-920.
10. HOUSING COMPONENT WILL WITHSTAND EXPOSURE TO 260°C PEAK TEMPERATURE FOR 60 SECONDS IN A CONVECTION, INFRA-RED, OR VAPOR PHASE REFLOW OVEN.
11. COPPER PLATING THICKNESS IN CENTER OF VIA-HOLE CAN BE NO MORE THAN 0.003 LESS THAN OTHER AREAS.
12. A  SYMBOL WILL BE NEXT TO ANY DIMENSION, VIEW, OR NOTE WHICH HAS BEEN MODIFIED WITH THE CURRENT DRAWING REVISION

Amphenol
FCi

© 2016 AFci

spec ref	GS-12-220			dr	Chen-Hong Tan	2007/01/09	projection	MM	size	A2	scale	4:1		
tolerance std	ASME Y14.5			eng	Art Lin	2017/06/29		← →	ecn no	ELX-DG-27348-1				
TOLERANCES UNLESS OTHERWISE SPECIFIED				chr	Tian-Zhao Lin				2017/07/07	rel level	Released			
				appr	Heaven Cen				2017/07/07	product family				
surface	linear	0.X	±0.3					R/A HEADER ASSY 2X2 AIRMAX POWER 11.5MM HEIGHT		cat. no.	-			
		0.XX	±0.10							title	-		Product - Customer Drw	sheet 3 of 3
		0.XXX	±0.050							cat. no.	-		Product - Customer Drw	sheet 3 of 3
ASME Y14.5	angular	0°	±2°	cat. no.	-		Product - Customer Drw	sheet 3 of 3						

PDS: Rev :G

STATUS:Released

Printed: Jul 07, 2017