



1912 MHz Cavity Bandpass Filter

Part Number: AB1912B713



ANATECH ELECTRONICS INC
RF & Microwave Filters & Products

Electrical specifications

- Operating bandwidth:** 1865~1960 MHz
- Insertion loss:** ≤ 1.0 dB
- Return loss:** ≥ 18 dB
- Rejection:** > 21 dB@DC~1835 MHz
- Impedance:** 50 Ohms In/Out
- Average power handling:** ≤ 40 Watts
- Peak power handling:** ≤ 1.4 KW
- IMD3@1770MHz:** 100 dBm@2x43 dBm
- IMD3@1675MHz:** 110 dBm@2x43 dBm

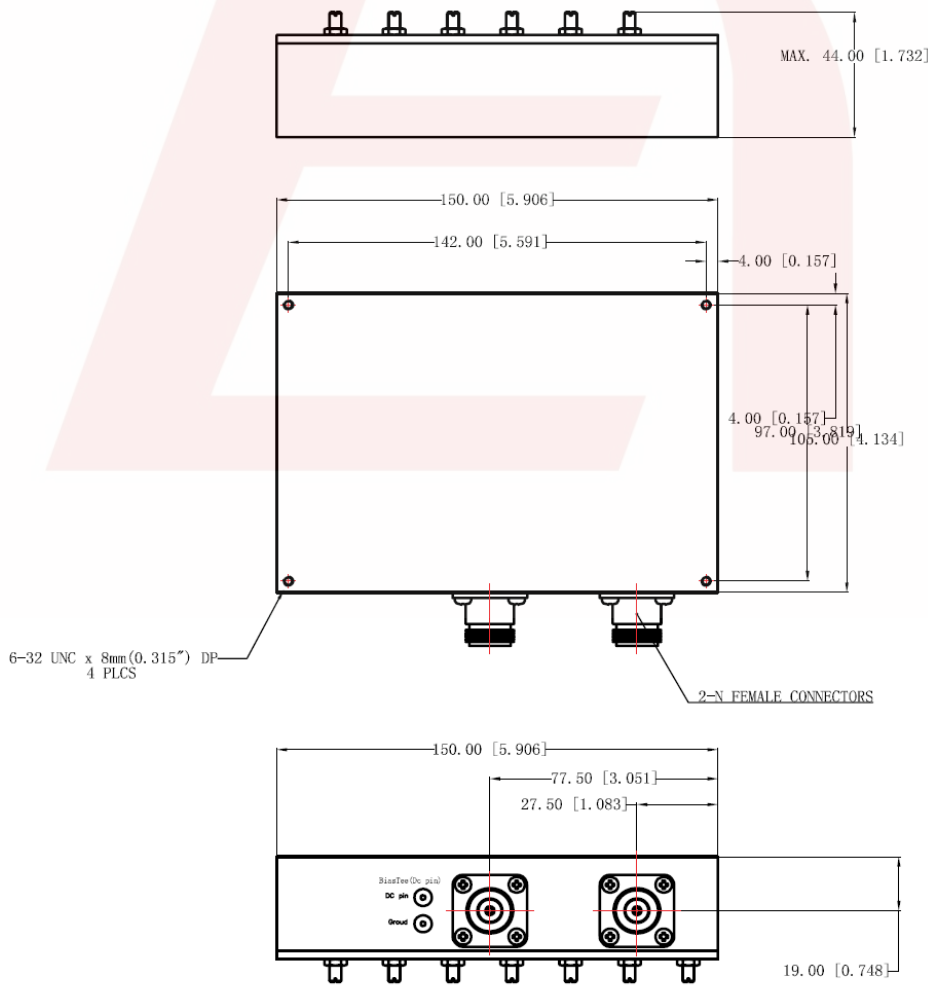
Mechanical

- Mounting Method:** Threaded Mounting Holes
- Connector Type:** N-Type Female
- Dimensions:** 5.90" x 4.13" x 1.73" in

Environmental

- Operating Temperature:** -45 to +85° C
- Storage Temperature:** -55 to +95° C
- Shock:** 20 G. 11ms
- Vibration:** 20 G. 5 to 200 Hz

Outline Drawing:



DS-B713-03152018-Rev0



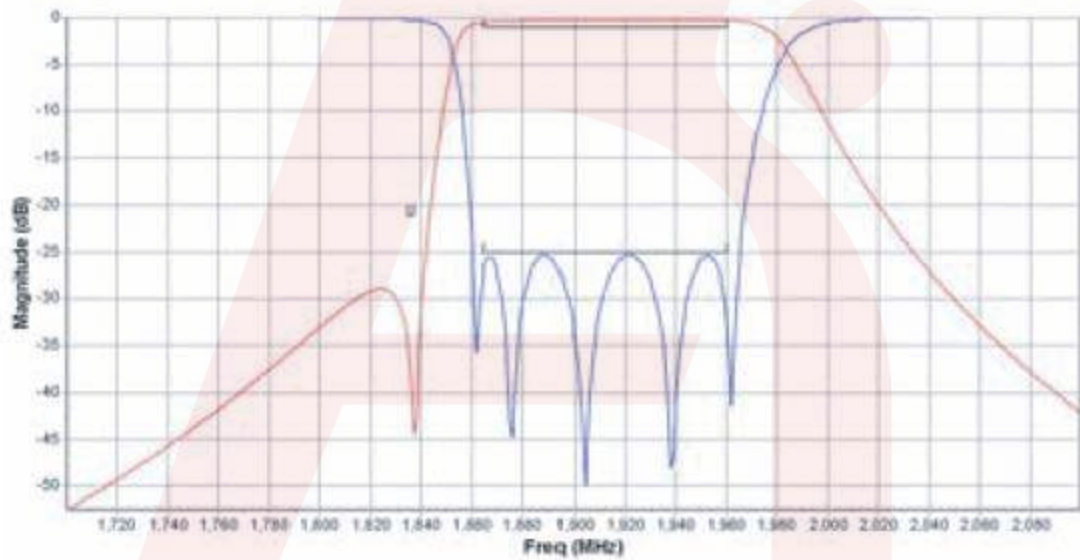
ANATECH ELECTRONICS INC
RF & Microwave Filters & Products

1912 MHz Cavity Bandpass Filter

Part Number: AB1912B713



Plot:



DS-B713-03152018-Rev0