



54F/74F412 Multi-Mode Buffered Latch with TRI-STATE® Outputs

General Description

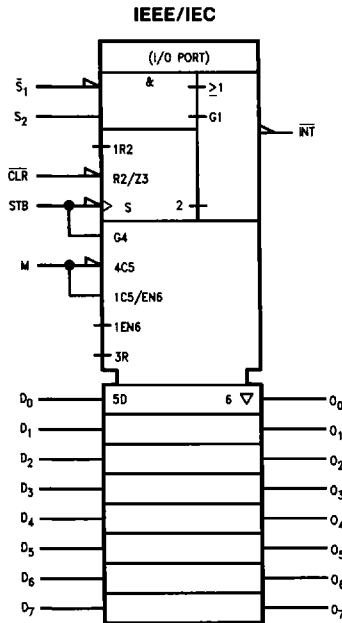
The 'F412 is an 8-bit latch with TRI-STATE output buffers. Also included is a status flip-flop for providing device-busy or request-interrupt commands. Separate Mode and Select inputs allow data to be stored with the outputs enabled or disabled. The device can also operate in a fully transparent mode. The 'F412 is the functional equivalent of the Intel 8212.

Features

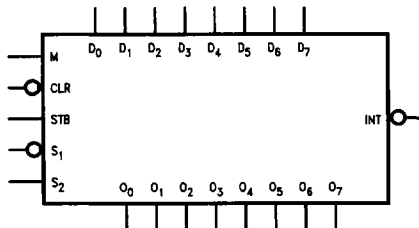
- TRI-STATE outputs
- Status flip-flop for interrupt commands
- Asynchronous or latched receiver modes
- 300 mil 24-pin slim package

Ordering Code: See Section 5

Logic Symbols



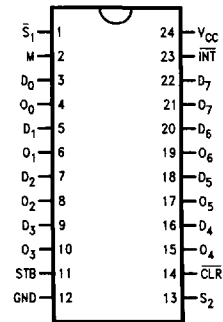
TL/F/9540-4



TL/F/9540-1

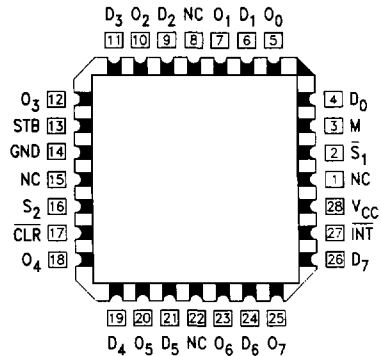
Connection Diagrams

Pin Assignment for DIP, SOIC and Flatpak



TL/F/9540-2

Pin Assignment for LCC and PCC



TL/F/9540-3

Unit Loading/Fan Out: See Section 2 for U.L. definitions

Pin Names	Description	54F/74F	
		U.L. HIGH/LOW	Input I_{IH}/I_{IL} Output I_{OH}/I_{OL}
O_0-O_7	Latch Outputs	150/40 (33.3)	-3 mA/24 mA (20 mA)
D_0-D_7	Data Inputs	1.0/1.0	20 μ A/ -0.6 mA
CLR	Clear	1.0/1.0	20 μ A/ -0.6 mA
STB	Strobe	1.0/1.0	20 μ A/ -0.6 mA
\overline{INT}	Interrupt	50/33.3	-1 mA/20 mA
M	Mode Control Input	1.0/1.0	20 μ A/ -0.6 mA
\overline{S}_1, S_2	Select Inputs	1.0/1.0	20 μ A/ -0.6 mA

Functional Description

This high-performance eight-bit parallel expandable buffer register incorporates package and mode selection inputs and an edge-triggered status flip-flop designed specifically for implementing bus-organized input/output ports. The TRI-STATE data outputs can be connected to a common data bus and controlled from the appropriate select inputs to receive or transmit data. An integral status flip-flop provides busy or request interrupt commands.

The eight data latches are fully transparent when the internal gate enable, G, input is HIGH and the outputs are enabled. Latch transparency is selected by the mode control (M), select (\overline{S}_1 and S_2), and the strobe (STB) inputs and during transparency each data output (O_n) follows its respective data input (D_n). This mode of operation can be terminated by clearing, de-selecting, or holding the data latches.

An input mode or an output mode is selectable from the M input. In the input mode, $M = L$, the eight data latch inputs are enabled when the strobe is HIGH regardless of device selection. If selected during an input mode, the outputs will follow the data inputs. When the strobe input is taken LOW, the latches will store the most-recently setup data.

In the output mode, $M = H$, the output buffers are enabled regardless of any other control input. During the output mode the content of the register is under control of the select (\overline{S}_1 and S_2) inputs.

Data Latches Function Table

Function	\overline{CLR}	M	\overline{S}_1	S_2	STB	Data In	Data Out
Clear	L	H	H	X	X	X	L
	L	L	L	H	L	X	L
De-Select	X	L	X	L	X	X	Z
	X	L	H	X	X	X	Z
Hold	H	H	H	L	X	X	Q_0
	H	L	L	H	L	X	Q_0
Data Bus	H	H	L	H	X	L	L
	H	H	L	H	X	H	H
Data Bus	H	L	L	H	H	L	L
	H	L	L	H	H	H	H

Status Flip-Flop Function Table

\overline{CLR}	\overline{S}_1	S_2	STB	\overline{INT}
L	H	X	X	H
L	X	L	X	H
H	X	X	\nearrow	L
H	L	H	X	L

H = HIGH Voltage Level
 L = LOW Voltage Level
 X = Immaterial
 Z = High Impedance
 \nearrow = LOW-to-HIGH Clock Transition

Absolute Maximum Ratings (Note 1)

If Military/Aerospace specified devices are required, contact the National Semiconductor Sales Office/Distributors for availability and specifications.

Storage Temperature	-65°C to +150°C
Ambient Temperature under Bias	-55°C to +125°C
Junction Temperature under Bias	-55°C to +175°C
V _{CC} Pin Potential to Ground Pin	-0.5V to +7.0V
Input Voltage (Note 2)	-0.5V to +7.0V
Input Current (Note 2)	-30 mA to +5.0 mA
Voltage Applied to Output in HIGH State (with V _{CC} = 0V)	
Standard Output	-0.5V to V _{CC}
TRI-STATE Output	-0.5V to +5.5V

Current Applied to Output in LOW State (Max) twice the rated I_{OL} (mA)

Note 1: Absolute maximum ratings are values beyond which the device may be damaged or have its useful life impaired. Functional operation under these conditions is not implied.

Note 2: Either voltage limit or current limit is sufficient to protect inputs.

Recommended Operating Conditions

Free Air Ambient Temperature

Military	-55°C to +125°C
Commercial	0°C to +70°C
Supply Voltage	
Military	+4.5V to +5.5V
Commercial	+4.5V to +5.5V

DC Electrical Characteristics

Symbol	Parameter	54F/74F			Units	V _{CC}	Conditions
		Min	Typ	Max			
V _{IH}	Input HIGH Voltage	2.0			V		Recognized as a HIGH Signal
V _{IL}	Input LOW Voltage	0.8			V		Recognized as a LOW Signal
V _{CD}	Input Clamp Diode Voltage	-1.2			V	Min	I _{IN} = -18 mA
V _{OH}	Output HIGH Voltage	54F 10% V _{CC}	2.5		V	Min	I _{OH} = -1 mA (INT) I _{OH} = -3 mA (O _n) I _{OH} = -1 mA (INT) I _{OH} = -3 mA (O _n) I _{OH} = -1 mA (INT) I _{OH} = -3 mA (O _n)
		54F 10% V _{CC}	2.4				
		74F 10% V _{CC}	2.5				
		74F 10% V _{CC}	2.4				
		74F 5% V _{CC}	2.7				
74F 5% V _{CC}	2.7						
V _{OL}	Output LOW Voltage	54F 10% V _{CC}	0.5	V	Min	I _{OL} = 20 mA I _{OL} = 20 mA I _{OL} = 24 mA	
		74F 10% V _{CC}	0.5				
		74F 10% V _{CC}	0.5				
I _{IH}	Input HIGH Current	20			μA	Max	V _{IN} = 2.7V
I _{BV}	Input HIGH Current Breakdown Test	100			μA	Max	V _{IN} = 7.0V
I _{IL}	Input LOW Current	-0.6			mA	Max	V _{IN} = 0.5V
I _{OZH}	Output Leakage Current	50			μA	Max	V _{OUT} = 2.7V
I _{OZL}	Output Leakage Current	-50			μA	Max	V _{OUT} = 0.5V
I _{OS}	Output Short-Circuit Current	-60	-150	mA	Max	V _{OUT} = 0V	
I _{CEx}	Output HIGH Leakage Current	250			μA	Max	V _{OUT} = V _{CC}
I _{ZZ}	Bus Drainage Test	500			μA	0.0V	V _{OUT} = V _{CC}
I _{CCH}	Power Supply Current	33	50	mA	Max	V _O = HIGH	
I _{CCL}	Power Supply Current	40	60	mA	Max	V _O = LOW	
I _{CCZ}	Power Supply Current	40	60	mA	Max	V _O = HIGH Z	

AC Electrical Characteristics: See Section 2 for Waveforms and Load Configurations

Symbol	Parameter	74F			54F		74F		Units	Fig No
		$T_A = +25^\circ\text{C}$ $V_{CC} = +5.0\text{V}$ $C_L = 50\text{ pF}$			$T_A, V_{CC} = \text{Mil}$ $C_L = 50\text{ pF}$		$T_A, V_{CC} = \text{Com}$ $C_L = 50\text{ pF}$			
		Min	Typ	Max	Min	Max	Min	Max		
t_{PLH} t_{PHL}	Propagation Delay D_n to O_n	3.5 2.5	6.5 5.0	8.5 6.5	3.0 2.0	11.5 8.5	3.0 2.0	9.5 7.5	ns	2-3
t_{PLH} t_{PHL}	Propagation Delay \bar{S}_1, S_2 or STB to O_n	8.5 7.5	14.5 12.5	18.5 16.0	6.5 6.0	23.0 19.0	7.5 6.5	20.5 17.5	ns	2-3
t_{PLH} t_{PHL}	Propagation Delay S_1 or S_2 to INT	4.5 4.5	7.5 8.0	9.5 10.5	3.5 3.5	12.0 12.5	4.0 4.0	10.5 11.5	ns	2-3
t_{PHL}	Propagation Delay \bar{CLR} to O_n	7.5	12.5	16.0	5.5	18.5	6.5	17.5	ns	2-3
t_{PHL}	Propagation Delay STB to INT	6.5	11.0	14.0	5.5	17.5	5.5	15.0	ns	2-3
t_{PZH} t_{PZL}	Access Time, HIGH or LOW \bar{S}_1 to O_n	8.0 6.5	12.5 11.0	18.0 14.0	6.5 5.5	20.0 18.0	7.0 5.5	19.0 15.0	ns	2-5
t_{PHZ} t_{PLZ}	Disable Time, HIGH or LOW \bar{S}_1 to O_n	4.5 6.5	8.0 11.0	10.5 14.0	4.0 5.5	14.5 17.0	4.0 5.5	11.5 15.0	ns	2-5
t_{PZH} t_{PZL}	Access Time, HIGH or LOW S_2 to O_n	7.5 5.0	12.5 9.0	16.0 11.5	6.5 4.0	18.5 15.5	6.5 4.5	17.5 12.5	ns	2-5
t_{PHZ} t_{PLZ}	Disable Time, HIGH or LOW S_2 to O_n	4.5 5.5	7.5 9.5	9.5 12.0	3.5 4.5	12.5 14.5	4.0 4.5	10.5 13.0	ns	2-5
t_{PZH} t_{PZL}	Access Time, HIGH or LOW M to O_n	5.0 5.0	8.5 8.5	11.0 11.0	4.5 4.0	16.0 15.0	4.5 4.5	12.0 12.0	ns	2-5
t_{PHZ} t_{PLZ}	Disable Time, HIGH or LOW M to O_n	4.0 5.0	7.0 8.5	9.0 11.0	3.5 4.5	11.5 14.0	3.5 4.5	10.0 12.0	ns	2-5

AC Operating Requirements: See Section 2 for Waveforms

Symbol	Parameter	74F		54F		74F		Units	Fig No
		$T_A = +25^\circ\text{C}$ $V_{CC} = +5.0\text{V}$		$T_A, V_{CC} = \text{Mil}$		$T_A, V_{CC} = \text{Com}$			
		Min	Max	Min	Max	Min	Max		
$t_s(H)$ $t_s(L)$	Setup Time, HIGH or LOW D_n to \bar{S}_1, S_2 or STB	0 0		2.0 2.0		1.0 1.0		ns	2-6
$t_h(H)$ $t_h(L)$	Hold Time D_n to \bar{S}_1, S_2 or STB	8.0 8.0		10.0 10.0		9.0 9.0		ns	2-4
$t_w(H)$ $t_w(L)$	\bar{S}_1, S_2 or STB Pulse Width, HIGH or LOW	8.0 8.0		11.0 11.0		9.0 9.0		ns	2-4
$t_w(L)$	\bar{CLR} Pulse Width, LOW	8.0		11.5		9.0		ns	2-4