

THIS DRAWING IS UNPUBLISHED.

RELEASED FOR PUBLICATION

© COPYRIGHT

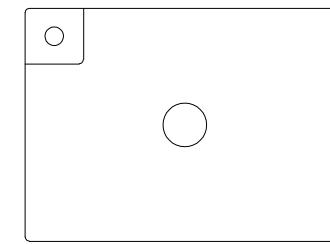
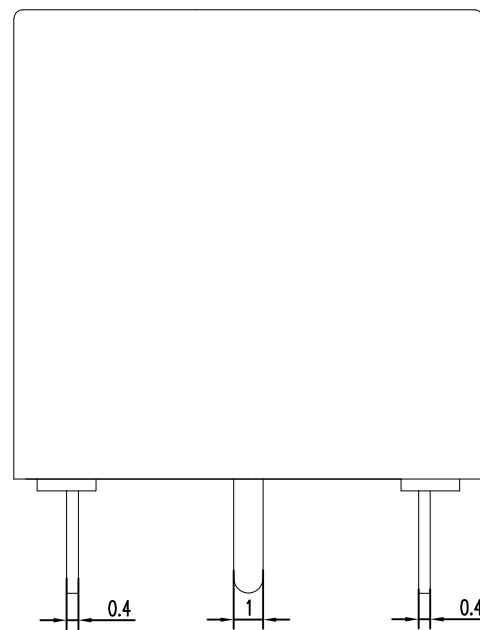
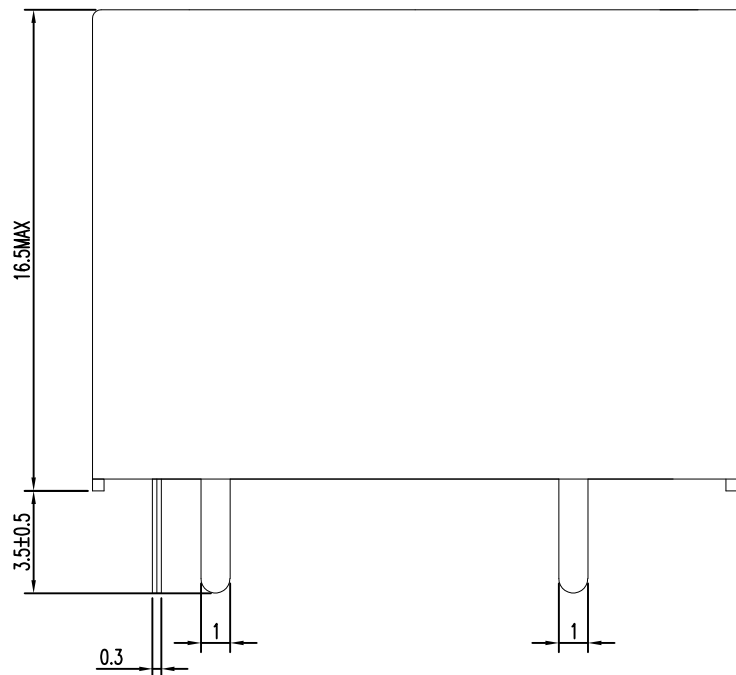
ALL RIGHTS RESERVED.

LOC  
HB

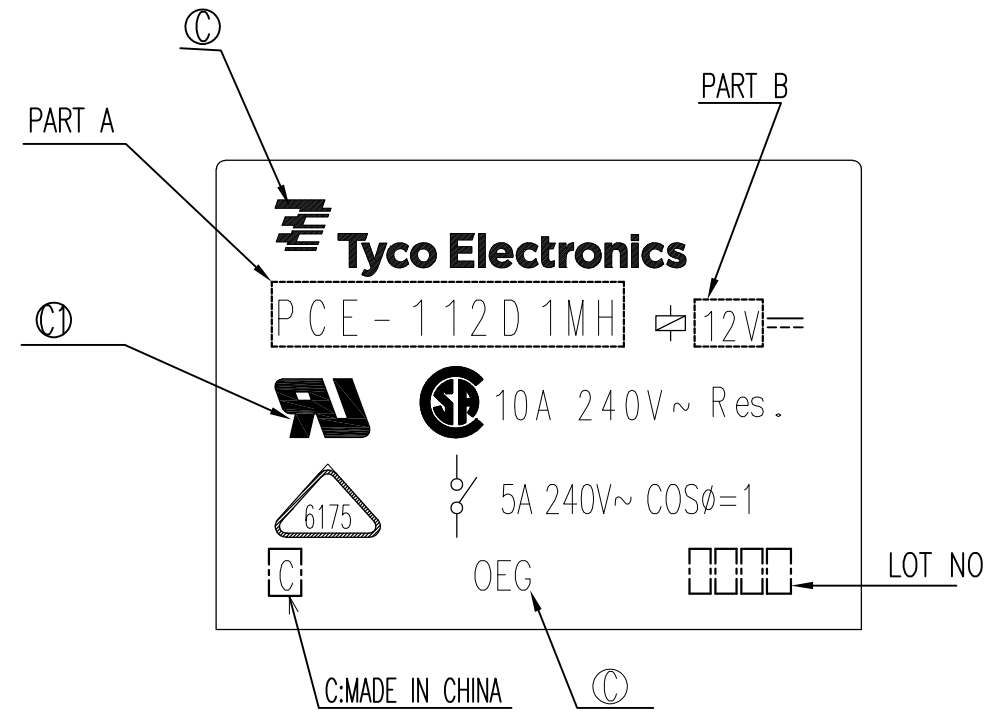
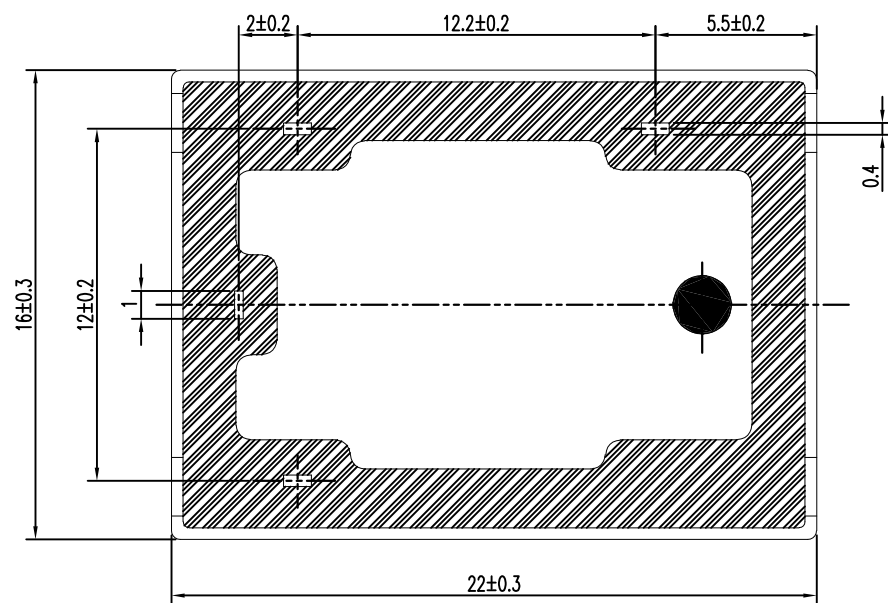
DIST

REVISIONS


P	LTR	DESCRIPTION	DATE	DWN	APVD
	C2	REVISED PER ECO-11-005140	26MAR11	RK	HMR



MARKING SURFACE

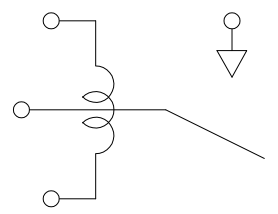


VIEW A  
(MARKING DETAIL)

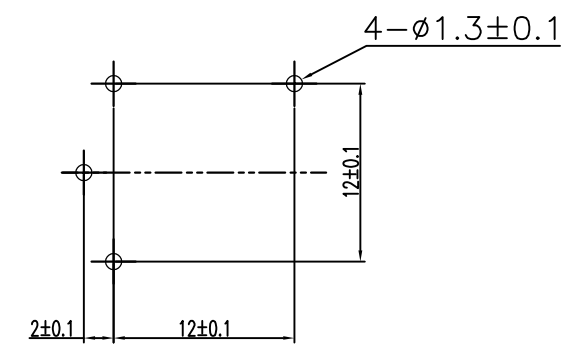
DWN H.SAKI		 TE Connectivity	
CHK N.FUNAYAMA			
APVD A.NAGAI		PCE-112D1M,000 CUSTOMER DRAWING	
PRODUCT SPEC		RESTRICT TO	
APPLICATION SPEC		SIZE A3	DRAWING NO. 1419125-1
MATERIAL SEE MATERIAL TABLE		WEIGHT	SCALE 2.5:1
DIMENSIONS: mm		SHEET 1 OF 2	
TOLERANCES UNLESS OTHERWISE SPECIFIED:		REV C2	
0 PLC ±			
1 PLC ±			
2 PLC ±			
3 PLC ±			
4 PLC ±			
FINISH			
CUSTOMER DRAWING			

LOC HB	DIST	REVISIONS						
		P	LTR	DESCRIPTION	ECN	DATE	DWN	APVD

CIRCUIT DIAGRAM (BOTTOM VIEW)



DRILLING DIAGRAM (BOTTOM VIEW)



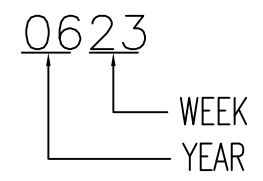
(B1)	1-1461394-4	48V	PCE-148D1M	l
(B1)	1461394-8	9V	PCE-109D1MH	k
(B1)	1461394-7	9V	PCE-109D1M	j
(B1)	1461394-2	6V	PCE-106D1M	i
(A1)	1721091-2	5V	PCE-105D1MH	h
(A1)	1721091-1	5V	PCE-105D1M	g
	2-1419125-0	24V	PCE-124D1MH	f
	1-1419125-7	24V	PCE-124D1M	e
	1-1440008-5	18V	PCE-118D1MH	d
	1-1440008-4	18V	PCE-118D1M	c
	1419125-3	12V	PCE-112D1MH	b
	1419125-1	12V	PCE-112D1M	a
	PART NO	PART B	PART A	ITEM

RELAY TYPE

		UV RESIN	UV SEAL (BASE)	16
		EPOXY RESIN	SEAL (CASE & BASE)	15
	V-0	PBT	CASE	14
CLASS F		MW79	MAGNETIC WIRE	13
		Cu ALLOY	COIL TERMINAL B	12
		Cu ALLOY	COIL TERMINAL A	11
		Ag ALLOY	M/B CONTACT	10
		Ag ALLOY	MOVABLE CONTACT	9
		Cu ALLOY	DUMMY TERMINAL	8
		Cu ALLOY	M TERMINAL	7
		Cu ALLOY	MOVABLE SPRING	6
	V-0	PET	BOBBIN	5
	V-0	PET	BASE	4
		STEEL	CORE	3
		STEEL	ARMATURE	2
		STEEL	YOKE	1
NOTE	UL-94	MATERIAL	DESCRIPTION	ITEM

NOTE

1.LOT NO. SYSTEM AS FOLLOWING:



GENERAL TOLERANCE

Diagram dimension	Tolerance
0.99mm max.	±0.1mm
1 - 2.99mm	±0.2mm
3mm min.	±0.3mm

DIMENSIONS: mm	TOLERANCES UNLESS OTHERWISE SPECIFIED:	DWN	H.SASAKI	TE Connectivity
		CHK	N.FUNAYAMA	
	0 PLC ± 1 PLC ± 2 PLC ± 3 PLC ± 4 PLC ±	APVD	A.NAGAI	
		PRODUCT SPEC		
MATERIAL	FINISH	WEIGHT		PCE-112D1M,000 CUSTOMER DRAWING
SEE MATERIAL TABLE				SIZE A3 GAGE CODE DRAWING NO 1419125-1 RESTRICT TO
		CUSTOMER DRAWING		SCALE 2.5:1 SHEET 2 OF 2 REV C2