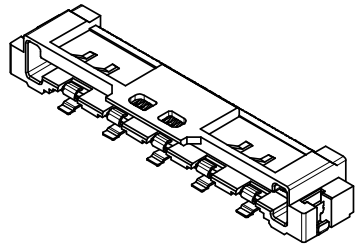
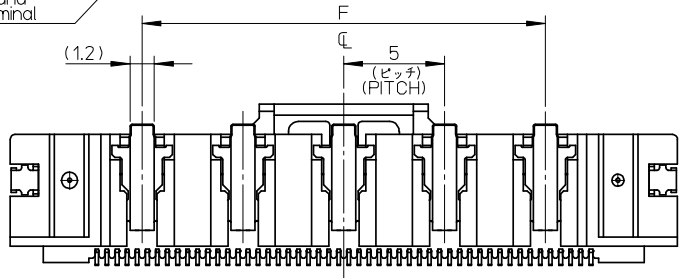
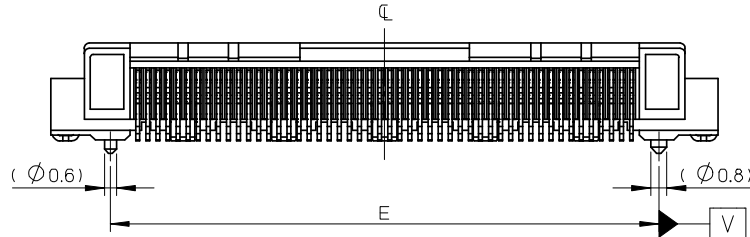
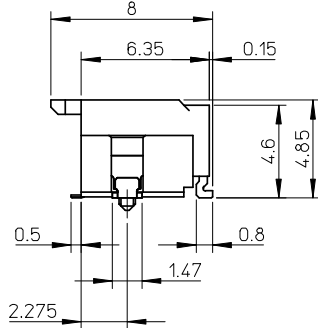
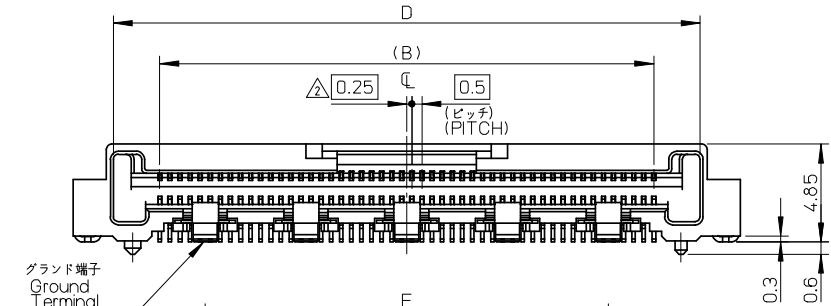
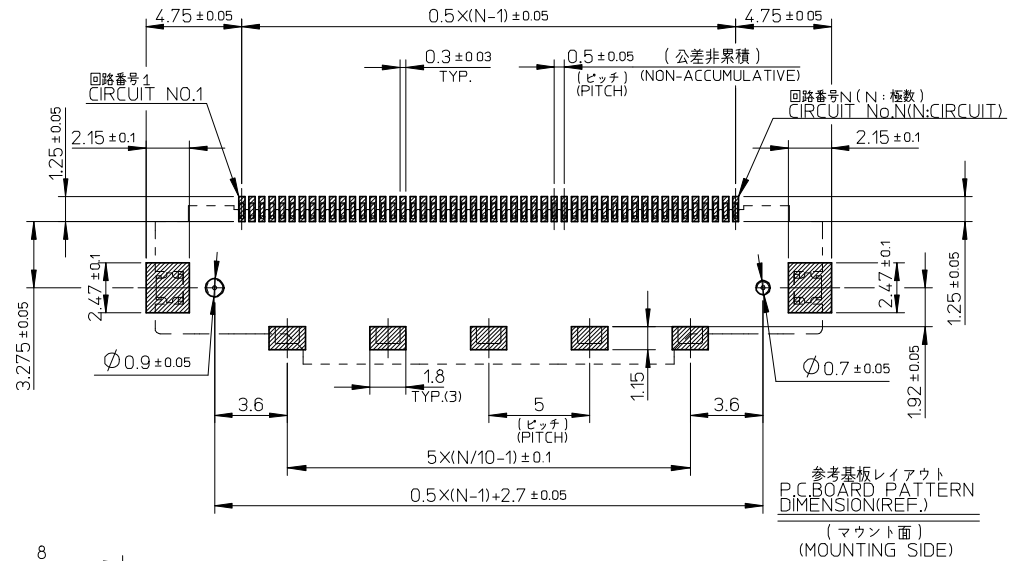
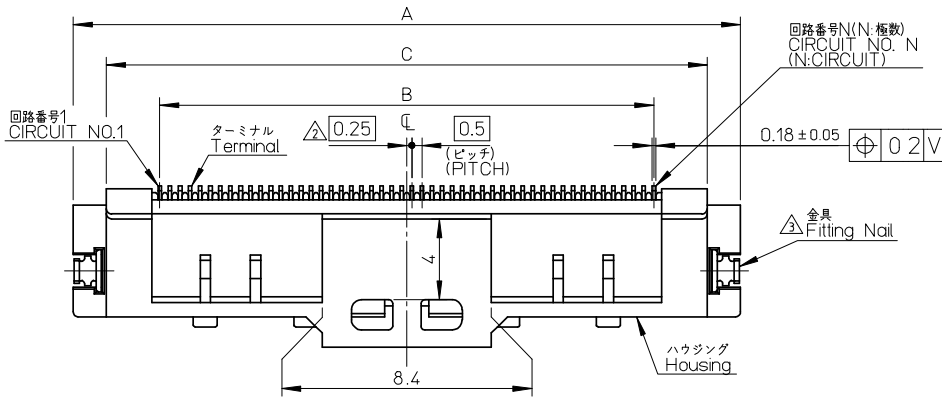


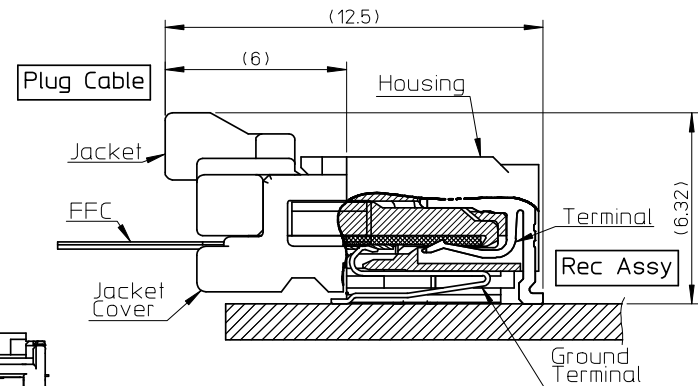
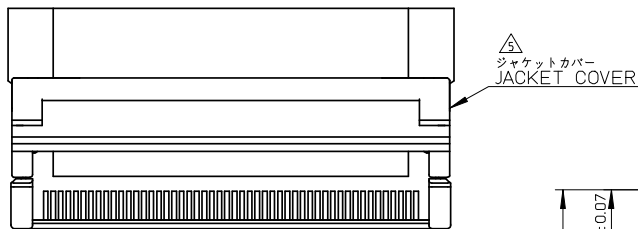
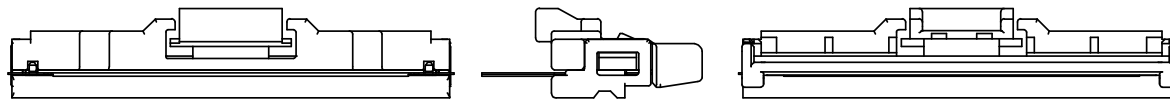
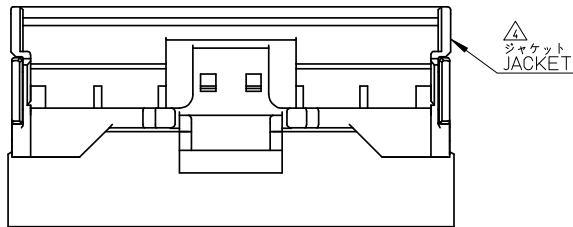
ELV AND RoHS COMPLIANT.



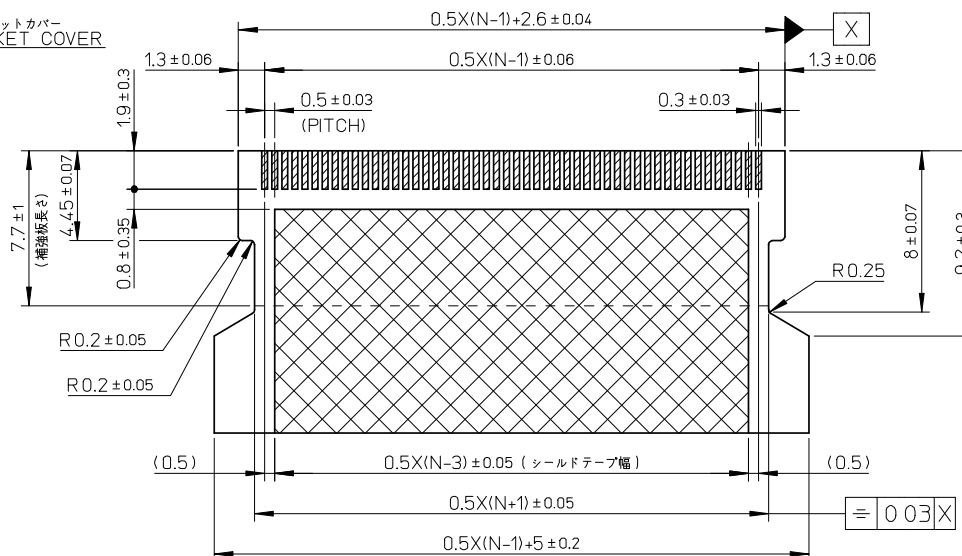
5	20	27.2	29.1	29.8	24.5	33.1	501864-5081	501864-5051	50						
QTY OF GROUND Terminal							F	E	D	C	B	A	EMBOSSED TAPE	MATERIAL NO.	極数
							ORDER No. オーダー番号								

RELEASED EC NO: DRWN:MMABEI CHKD:K. MORIKAWA APPR:KMORIKAWA REV: O	DESCRIPTION 2008/07/07 2008/07/09 2008/07/10	GENERAL TOLERANCES (UNLESS SPECIFIED)		DIMENSION STYLE MM ONLY		SCALE //	DESIGN UNITS METRIC	THIRD ANGLE PROJECTION		
		10 UNDER	±0.2	DRAWN BY M. NABEI	DATE '08/07/07	TITLE 0.5 FFC TO BOARD CONN REC. HSG ASSY (RA)				
		10 OVER 30 UNDER	±0.25	CHECKED BY K. MORIKAWA	DATE '08/07/07	MOLEX INCORPORATED				
		30 OVER	±0.3	APPROVED BY H. HIRATA	DATE '08/07/07					
		ANGULAR ±1 °		DRAFT WHERE APPLICABLE MUST REMAIN WITHIN DIMENSIONS		MATERIAL NO. SEE TABLE		DOCUMENT NO. SD-501864-010		SHEET NO. 1 OF 2
				SIZE A3		THIS DRAWING CONTAINS INFORMATION THAT IS PROPRIETARY TO MOLEX INCORPORATED AND SHOULD NOT BE USED WITHOUT WRITTEN PERMISSION				

ELV AND RoHS COMPLIANT.



嵌合断面図



注記 1. 使用材料 MATERIAL
NOTE

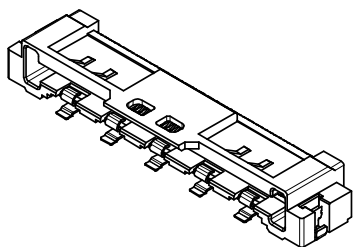
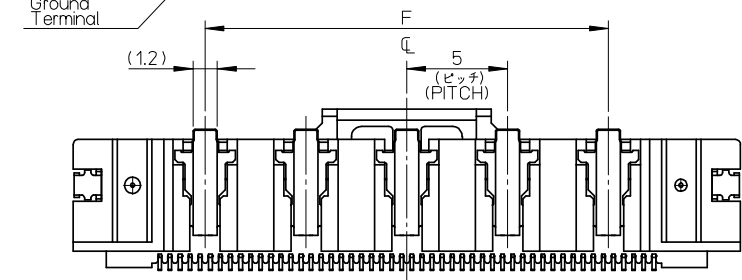
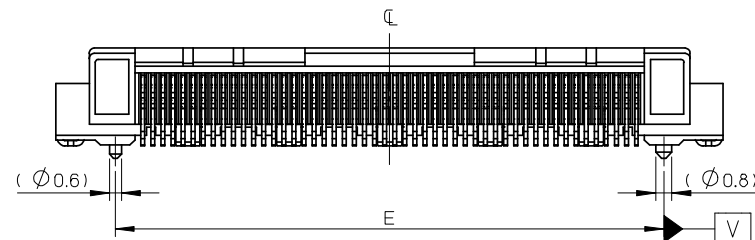
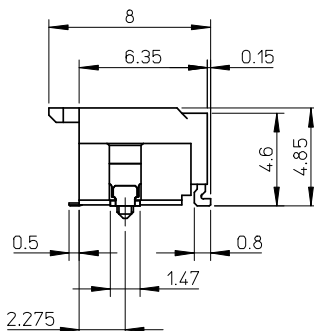
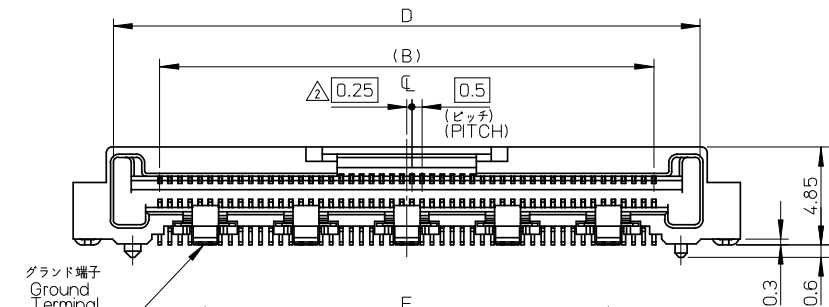
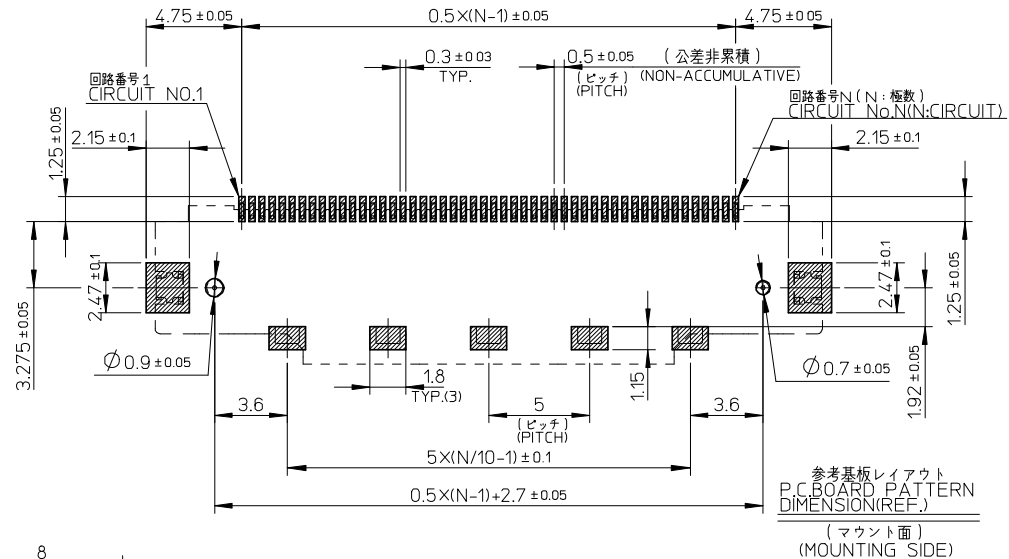
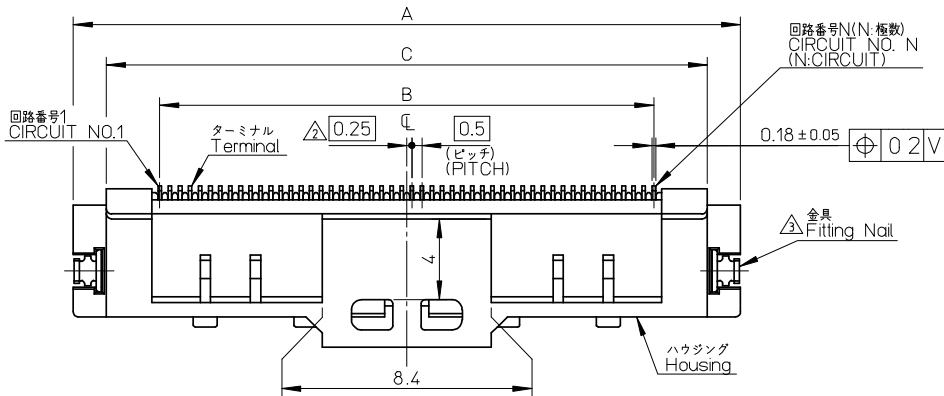
- ハウジング HOUSING : 液晶ポリマー (LCP), ガラス充填, UL94V-0 色: 黒色
LIQUID CRYSTAL POLYMER(LCP), GLASS FILLED, UL94V-0 COLOR: BLACK
- ターミナル TERMINAL : 銅合金 (τ=0.18)
COPPER ALLOY (τ=0.18)
- メッキ PLATING
- ソルダーテール TAIL AREA : ニッケル下地 錫ヒスマメッキ
Sn-Bi PLATING OVER NICKEL PLATING
- 金具 FITTING NAIL : 銅合金 (τ=0.25)
ニッケル下地 錫メッキ
COPPER ALLOY (τ=0.25)
TIN OVER NICKEL PLATING.
- グラウンド端子 GROUND TERMINAL : 銅合金 (τ=0.15)
ニッケル下地 錫メッキ
COPPER ALLOY (τ=0.15)
TIN OVER NICKEL PLATING.

適合FFC推奨寸法
APPLICABLE FFC
RECOMMENDED DIMENSION
(仕上がり厚さ: コネクタ接点部 0.3±0.03)
シールド部 0.44±0.05)
コネクタ接点部
シールド部

- △ 2 N=偶数に適用 (N: 極数)
APPLY FOR N-EVEN (CIRCUIT)
- △ 3 パターン剥離止め用金具
FITTING NAIL FOR PREVENTION OF PEELING OF PCB PATTERN.
- △ 4 適合ジャケット: 503150-***09
製品詳細寸法はSD-503150-001を参照下さい。
APPLICABLE JACKET: 503150-***09
RE DETAILED DIMENSION, SEE SD-503150-001.
- △ 5 適合ジャケットカバー: 503151-***09
製品詳細寸法はSD-503151-001を参照下さい。
APPLICABLE JACKET: 503151-***09
RE DETAILED DIMENSION, SEE SD-503151-001.

RELEASED EC NO: 0 REV: 0	DRWN: MABEI 2008/07/07 CHKD: K. MORIKAWA 2008/07/09 APPR: K. MORIKAWA 2008/07/10	DESCRIPTION	GENERAL TOLERANCES (UNLESS SPECIFIED)		DIMENSION STYLE MM ONLY		SCALE	DESIGN UNITS	THIRD ANGLE PROJECTION	
			10 UNDER	±0.2	DRAWN BY	DATE	TITLE	MOLEX INCORPORATED SD-501864-010	SHEET NO. 2 OF 2	
			10 OVER 30 UNDER	±0.25	M. NABEI	'08/07/07	0.5 FFC TO BOARD CONN REC. HSG ASSY (RA)			
			30 OVER	±0.3	K. MORIKAWA	'08/07/07				
ANGULAR ±1 °		APPROVED BY	DATE							
DRAFT WHERE APPLICABLE MUST REMAIN WITHIN DIMENSIONS		SEE SHEET 1		MATERIAL NO.		DOCUMENT NO.				
SIZE A3 THIS DRAWING CONTAINS INFORMATION THAT IS PROPRIETARY TO MOLEX INCORPORATED AND SHOULD NOT BE USED WITHOUT WRITTEN PERMISSION										

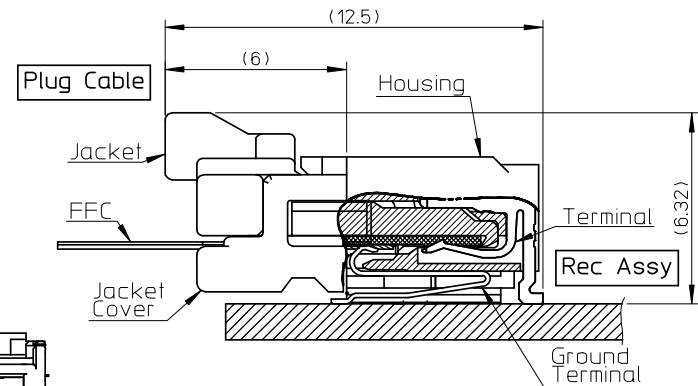
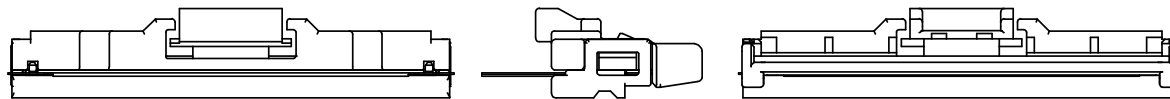
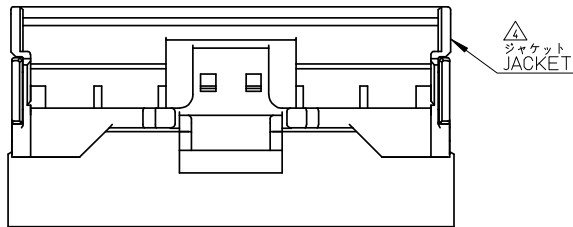
ELV AND RoHS COMPLIANT.



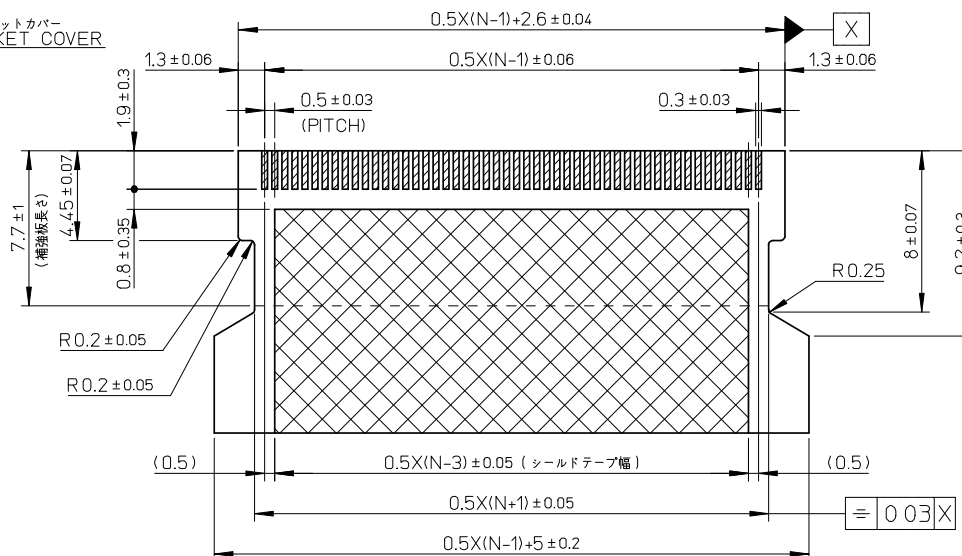
5	20	27.2	29.1	29.8	24.5	33.1	501864-5081	501864-5051	50						
QTY OF GROUND Terminal							F	E	D	C	B	A	EMBOSSED TAPE	MATERIAL NO.	極数
							ORDER No. オーダー番号								

RELEASED EC NO: DRWN:MMABEI CHKD:K. MORIKAWA APPR:K.MORIKAWA 2008/07/07 2008/07/09 2008/07/10	GENERAL TOLERANCES (UNLESS SPECIFIED)		DIMENSION STYLE		SCALE	DESIGN UNITS	THIRD ANGLE PROJECTION	
	10 UNDER ±0.2		MM ONLY		///	METRIC	◎ □	
	10 OVER 30 UNDER ±0.25		DRAWN BY		TITLE		0.5 FFC TO BOARD CONN	
	30 OVER ±0.3		DATE		MOLEX INCORPORATED		REC. HSG ASSY (RA)	
	ANGULAR ±1 °		M. NABEI '08/07/07		DOCUMENT NO.		SD-501864-010	
DRAFT WHERE APPLICABLE MUST REMAIN WITHIN DIMENSIONS		K. MORIKAWA '08/07/07		SHEET NO.		1 OF 2		
		H. HIRATA '08/07/07		THIS DRAWING CONTAINS INFORMATION THAT IS PROPRIETARY TO MOLEX INCORPORATED AND SHOULD NOT BE USED WITHOUT WRITTEN PERMISSION				
		MATERIAL NO.						
		SIZE						
		A3						

ELV AND RoHS COMPLIANT.



嵌合断面図



注記 1. 使用材料 MATERIAL
NOTE

- ハウジング HOUSING : 液晶ポリマー (LCP), ガラス充填, UL94V-0 色:黒色
LIQUID CRYSTAL POLYMER(LCP), GLASS FILLED,UL94V-0 COLOR:BLACK
- ターミナル TERMINAL : 銅合金 ($t=0.18$)
COPPER ALLOY ($t=0.18$)
- メッキ PLATING
- ソルダーテール TAIL AREA : ニッケル下地 錫ヒスマメッキ
Sn-Bi PLATING OVER NICKEL PLATING
- 金具 FITTING NAIL : 銅合金 ($t=0.25$)
ニッケル下地 錫メッキ
COPPER ALLOY ($t=0.25$)
TIN OVER NICKEL PLATING.
- グラウンド端子 GROUND TERMINAL : 銅合金 ($t=0.15$)
ニッケル下地 錫メッキ
COPPER ALLOY ($t=0.15$)
TIN OVER NICKEL PLATING.

適合FFC推奨寸法
APPLICABLE FFC
RECOMMENDED DIMENSION
(仕上がり厚さ: コネクタ接点部 0.3 ± 0.03)
シールド部 0.44 ± 0.05)
コネクタ接点部
シールド部

- △ N=偶数に適用 (N:極数)
APPLY FOR N-EVEN(CIRCUIT)
- △ パターン剥離止め用金具
FITTING NAIL FOR PREVENTION OF PEELING OF PCB PATTERN.
- △ 適合ジャケット: 503150-***09
製品詳細寸法はSD-503150-001を参照下さい。
APPLICABLE JACKET: 503150-***09
RE DETAILED DIMENSION,SEE SD-503150-001.
- △ 適合ジャケットカバー: 503151-***09
製品詳細寸法はSD-503151-001を参照下さい。
APPLICABLE JACKET: 503151-***09
RE DETAILED DIMENSION,SEE SD-503151-001.

RELEASED EC NO: 0 REV: 0	DRWN: MABEI 2008/07/07 CHKD: K. MORIKAWA 2008/07/09 APPR: K. MORIKAWA 2008/07/10	DESCRIPTION	GENERAL TOLERANCES (UNLESS SPECIFIED)		DIMENSION STYLE MM ONLY		SCALE	DESIGN UNITS	THIRD ANGLE PROJECTION
			10 UNDER	± 0.2	DRAWN BY	DATE	TITLE	MOLEX INCORPORATED SD-501864-010	
			10 OVER 30 UNDER	± 0.25	M. NABEI	'08/07/07	0.5 FFC TO BOARD CONN REC. HSG ASSY (RA)		
			30 OVER	± 0.3	K. MORIKAWA	'08/07/07			
ANGULAR ±1 °		APPROVED BY	DATE						
DRAFT WHERE APPLICABLE MUST REMAIN WITHIN DIMENSIONS		SEE SHEET 1		H. HIRATA	'08/07/07		DOCUMENT NO.	SHEET NO.	
THIS DRAWING CONTAINS INFORMATION THAT IS PROPRIETARY TO MOLEX INCORPORATED AND SHOULD NOT BE USED WITHOUT WRITTEN PERMISSION									

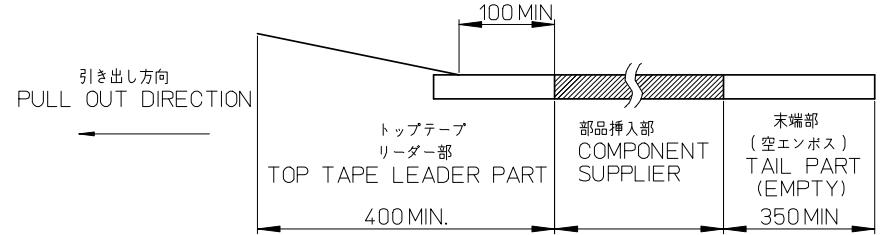
ELV AND RoHS COMPLIANT.

NOTES

1. 梱包数量：900 個/リール
NUMBER OF CONNECTORS:900 PCS/REEL
2. リードテープ長さ
LEAD TAPE LENGTH

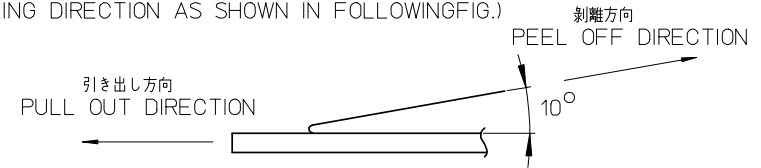
トップテープ接着部
TOP TAPE BONDED PART
(空エンボス)
(EMPTY)

トップテープ未接着部
TOP TAPE NON-BONDED PART



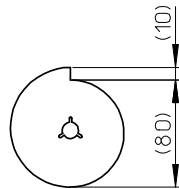
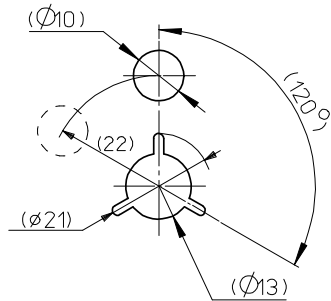
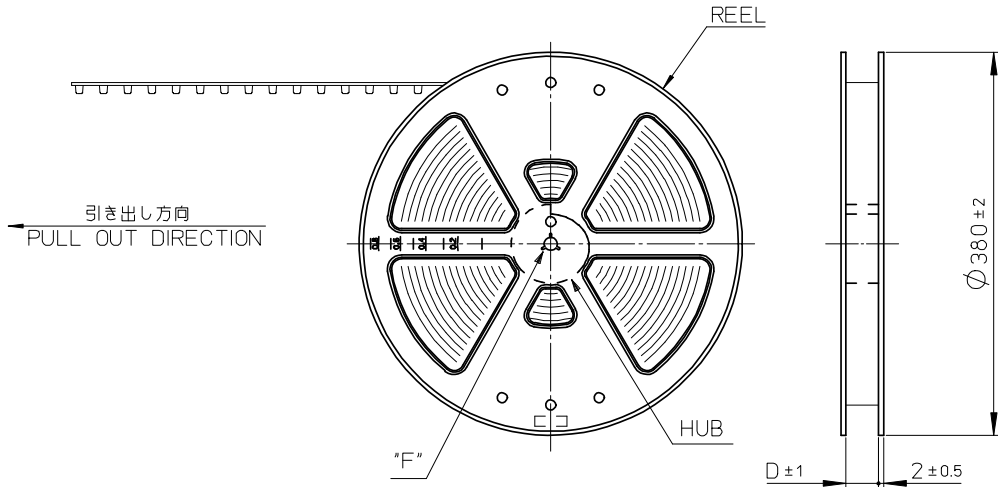
3. トップテープの剥離強度：「JES-59」参照のこと
(剥離方向は下図参照)

PEEL-OFF FORCE OF TOP TAPE : REFER TO JES-59
(PEELING DIRECTION AS SHOWN IN FOLLOWING FIG.)



4. 製品詳細寸法については図面 SD-501864-010を参照下さい。
RE DETAILED DIMENSION, SEE SD-501864-010.

5. 材料(MATERIAL)
キャリアテープ(CARRIER TAPE) : ポリスチレン(POLYSTYRENE)
トップテープ(TOP TAPE) : PET, PE, PE
リール(REEL) : ポリスチレン(POLYSTYRENE) <<> リサイクル材を含む <>>
<<> RECYCLE MATERIAL CONTAINED <>>



HUB

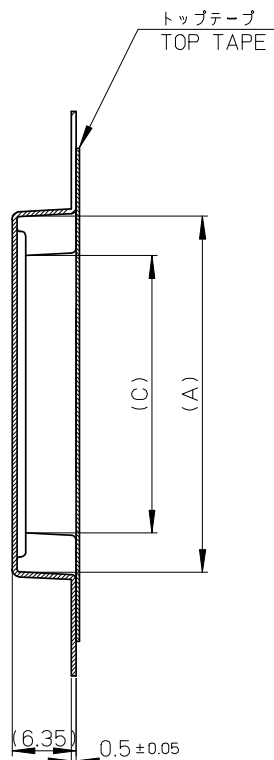
DETAIL "F"

501864-**-81 MODEL NO.

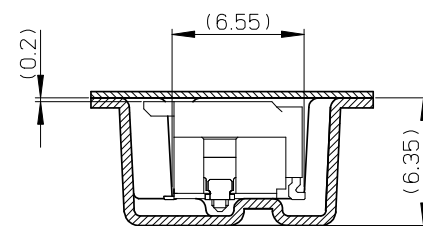
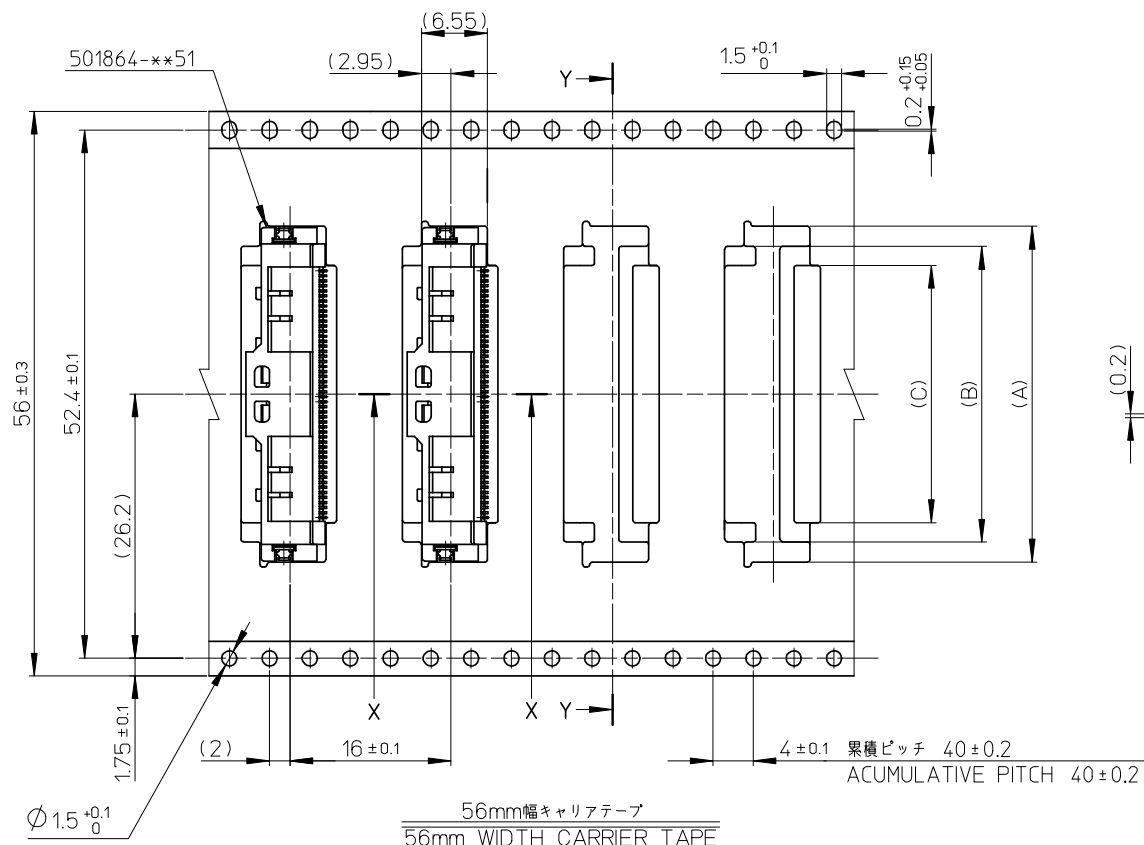
RELEASED EC NO: 0	2008/07/08 DRWN:MNABEI	GENERAL TOLERANCES (UNLESS SPECIFIED)		DIMENSION STYLE MM ONLY		SCALE ---	DESIGN UNITS METRIC	THIRD ANGLE PROJECTION	
	2008/07/09 CHKD:K.MORIKAWA	10 UNDER	± 0.2	DRAWN BY M.NABEI	DATE '08/07/08	TITLE EMBSTP PKG FOR 0.5 FFC TO BOARD RA TYPE			
	2008/07/10 APPR:KMORIKAWA	10 OVER 30 UNDER	± 0.25	CHECKED BY K.MORIKAWA	DATE '08/07/08	MOLEX INCORPORATED			
		30 OVER	± 0.3	APPROVED BY H.HIRATA	DATE '08/07/08	DOCUMENT NO. SD-501864-011			
		ANGULAR	± 3	MATERIAL NO. SEE SHEET 2	SHEET NO. 1 OF 2				
DRAFT WHERE APPLICABLE MUST REMAIN WITHIN DIMENSIONS			THIS DRAWING CONTAINS INFORMATION THAT IS PROPRIETARY TO MOLEX INCORPORATED AND SHOULD NOT BE USED WITHOUT WRITTEN PERMISSION						

ELV AND RoHS COMPLIANT.

引き出し方向
PULL OUT DIRECTION



SECT. Y-Y



SECT. X-X

56	57.4	25.5	29.3	33.3	501864-5081	50
キャリアテープ幅 CARRIER TAPE WIDTH	D	C	B	A	製品番号 MATERIAL NO.	極数 CKT

RELEASED EC NO: O	2008/07/08 DRWN:MNABEI	2008/07/09 CHKD:K.MORIKAWA	2008/07/10 APPR:KMORIKAWA	DESCRIPTION REV	GENERAL TOLERANCES (UNLESS SPECIFIED)	DIMENSION STYLE MM ONLY	SCALE ---	DESIGN UNITS METRIC	THIRD ANGLE PROJECTION	
	10 UNDER	±0.2	DRAWN BY M.NABEI		DATE '08/07/08	TITLE	EMBSTP PKG FOR 0.5 FFC TO BOARD RA TYPE MOLEX INCORPORATED			
	10 OVER 30 UNDER	±0.25	CHECKED BY K.MORIKAWA		DATE '08/07/08					
	30 OVER	±0.3	APPROVED BY H.HIRATA		DATE '08/07/08					
	ANGULAR	±3 °	MATERIAL NO.		DRAFT WHERE APPLICABLE MUST REMAIN WITHIN DIMENSIONS	SEE TABLE	DOCUMENT NO.		SHEET NO.	
						SIZE A3	THIS DRAWING CONTAINS INFORMATION THAT IS PROPRIETARY TO MOLEX INCORPORATED AND SHOULD NOT BE USED WITHOUT WRITTEN PERMISSION			

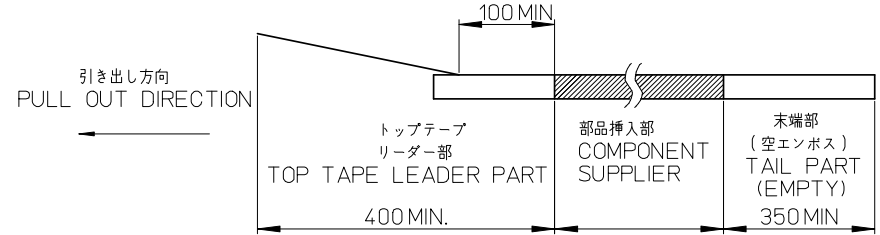
ELV AND RoHS COMPLIANT.

NOTES

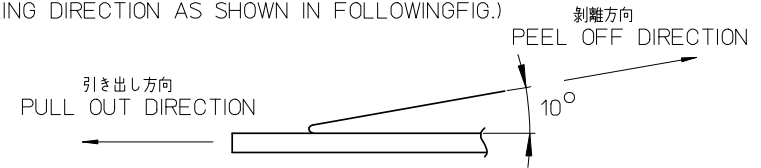
1. 梱包数量：900 個/リール
NUMBER OF CONNECTORS:900 PCS/REEL
2. リードテープ長さ
LEAD TAPE LENGTH

トップテープ接着部
TOP TAPE BONDED PART
(空エンボス)
(EMPTY)

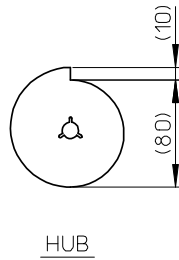
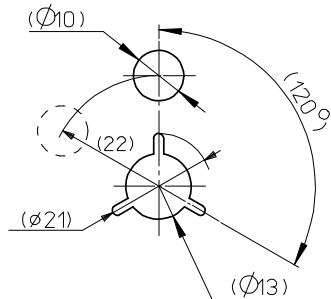
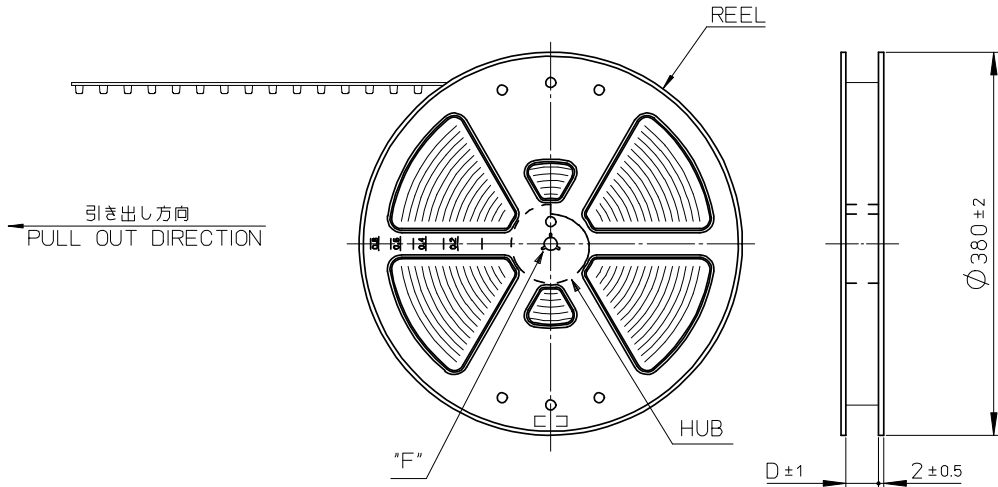
トップテープ未接着部
TOP TAPE NON-BONDED PART



3. トップテープの剥離強度：「JES-59」参照のこと
(剥離方向は下図参照)
PEEL-OFF FORCE OF TOP TAPE : REFER TO JES-59
(PEELING DIRECTION AS SHOWN IN FOLLOWING FIG.)



4. 製品詳細寸法については図面 SD-501864-010を参照下さい。
RE DETAILED DIMENSION, SEE SD-501864-010.
5. 材料(MATERIAL)
キャリアテープ(CARRIER TAPE) : ポリスチレン(POLYSTYRENE)
トップテープ(TOP TAPE) : PET, PE, PE
リール(REEL) : ポリスチレン(POLYSTYRENE) <<<リサイクル材を含む>>>
<<<RECYCLE MATERIAL CONTAINED>>>

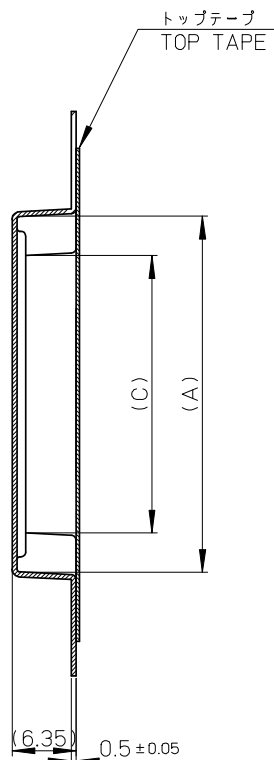


501864-**-81 MODEL NO.

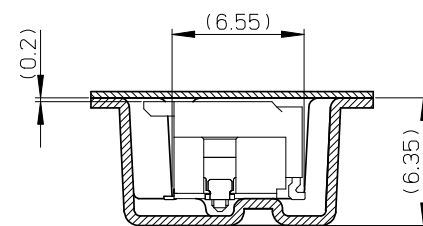
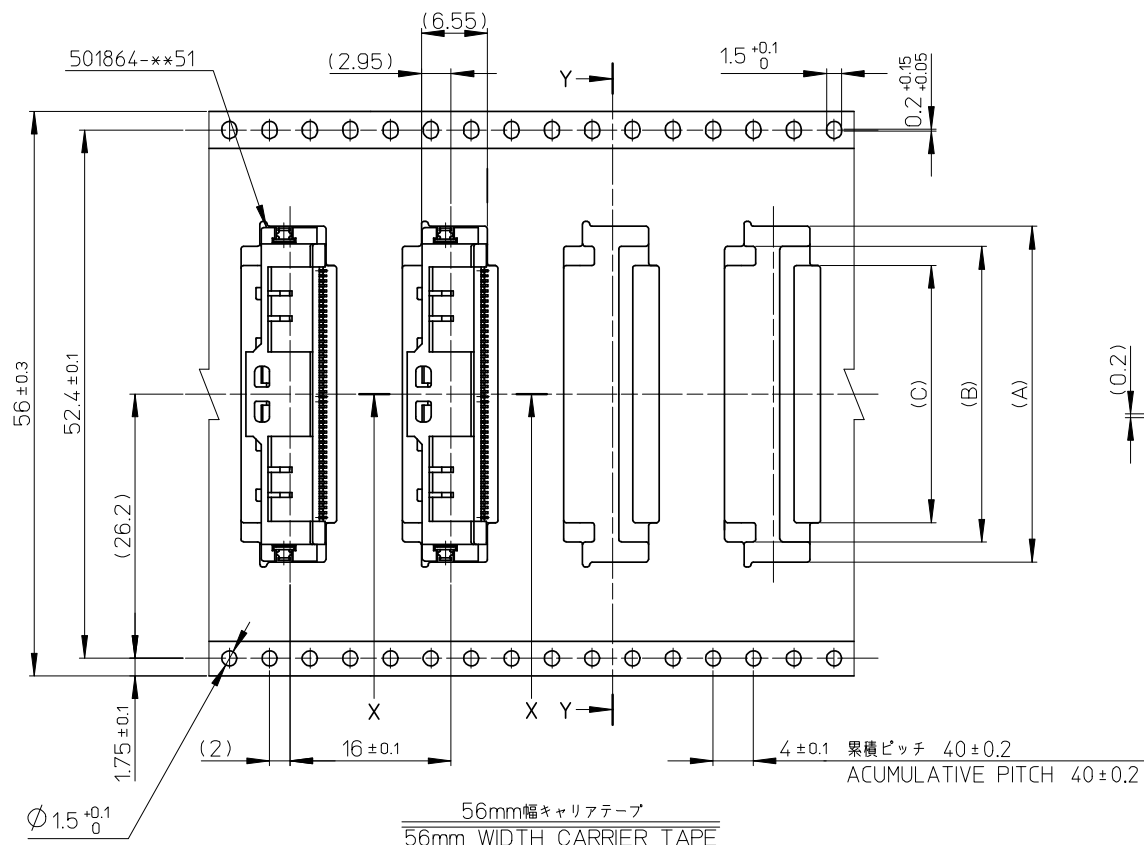
RELEASED EC NO: 0	2008/07/08 DRWN:MNABEI	GENERAL TOLERANCES (UNLESS SPECIFIED)		DIMENSION STYLE MM ONLY		SCALE ---	DESIGN UNITS METRIC	THIRD ANGLE PROJECTION	
	2008/07/09 CHKD:K.MORIKAWA	10 UNDER	± 0.2	DRAWN BY M.NABEI	DATE '08/07/08	TITLE EMBSTP PKG FOR 0.5 FFC TO BOARD RA TYPE			
	2008/07/10 APPR:KMORIKAWA	10 OVER 30 UNDER	± 0.25	CHECKED BY K.MORIKAWA	DATE '08/07/08	MOLEX INCORPORATED			
		30 OVER	± 0.3	APPROVED BY H.HIRATA	DATE '08/07/08	DOCUMENT NO. SD-501864-011			
		ANGULAR	± 3 °	MATERIAL NO. SEE SHEET 2	SHEET NO. 1 OF 2				
DRAFT WHERE APPLICABLE MUST REMAIN WITHIN DIMENSIONS			THIS DRAWING CONTAINS INFORMATION THAT IS PROPRIETARY TO MOLEX INCORPORATED AND SHOULD NOT BE USED WITHOUT WRITTEN PERMISSION						

ELV AND RoHS COMPLIANT.

引き出し方向
PULL OUT DIRECTION



SECT. Y-Y



SECT. X-X

56	57.4	25.5	29.3	33.3	501864-5081	50
キャリアテープ幅 CARRIER TAPE WIDTH	D	C	B	A	製品番号 MATERIAL NO.	極数 CKT

RELEASED EC NO: O DRWN: MABEI 2008/07/08 CHKDK: MORIKAWA 2008/07/09 APPR: KMORIKAWA 2008/07/10	DESCRIPTION REV: 0	GENERAL TOLERANCES (UNLESS SPECIFIED)		DIMENSION STYLE MM ONLY		SCALE --//	DESIGN UNITS METRIC	THIRD ANGLE PROJECTION
		10 UNDER ±0.2 10 OVER 30 UNDER ±0.25 30 OVER ±0.3	DRAWN BY M. NABEI	DATE '08/07/08	TITLE EMBSTP PKG FOR 0.5 FFC TO BOARD RA TYPE			
		ANGULAR ±3° DRAFT WHERE APPLICABLE MUST REMAIN WITHIN DIMENSIONS	CHECKED BY K. MORIKAWA	DATE '08/07/08	MOLEX INCORPORATED			
		SEE TABLE	APPROVED BY H. HIRATA	DATE '08/07/08	DOCUMENT NO. SD-501864-011	SHEET NO. 2 OF 2		