

| REVISIONS |     |                  |           |     |      |
|-----------|-----|------------------|-----------|-----|------|
| P         | LTR | DESCRIPTION      | DATE      | DWN | APVD |
|           | R   | PRODUCTION ISSUE | 31JAN2019 | PNT | MT   |

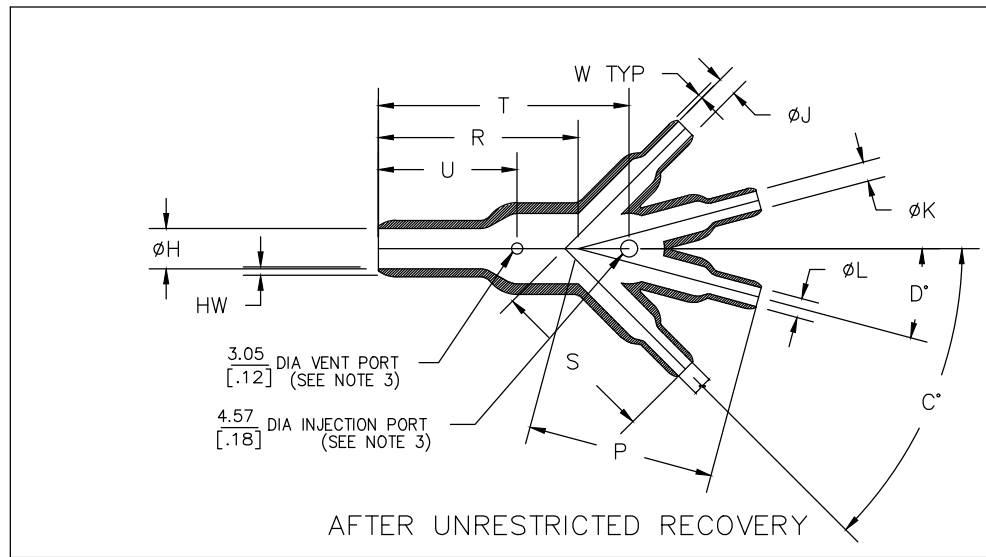
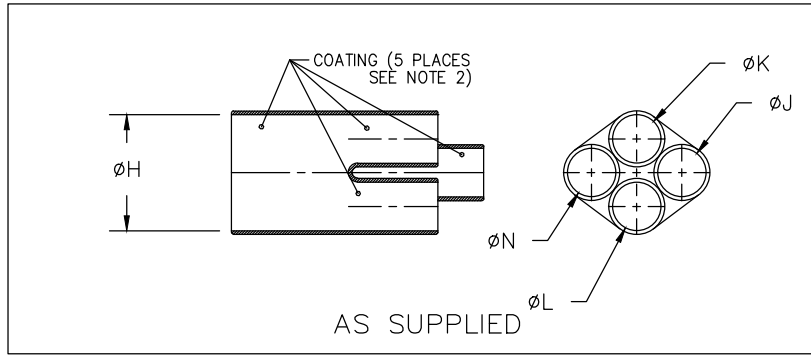


TABLE OF DIMENSIONS

| PART NUMBER | H              |                | J,K,L & N      |               | P<br>±10%       | R<br>±10%       | S<br>±10%      | T<br>±10%       | U<br>±10%      | C°<br>±5% | D°<br>±5% | HW<br>±20%    | W<br>±20%     | Weight<br>Nom<br>lb/[gms]<br>b |
|-------------|----------------|----------------|----------------|---------------|-----------------|-----------------|----------------|-----------------|----------------|-----------|-----------|---------------|---------------|--------------------------------|
|             | Min<br>a       | Max<br>b       | Min<br>a       | Max<br>b      |                 |                 |                |                 |                |           |           |               |               |                                |
| 562A011     | 13.2<br>[.52]  | 6.9<br>[.27]   | 6.6<br>[.26]   | 3.5<br>[.14]  | 24.1<br>[.95]   | 38.4<br>[1.51]  | 24.1<br>[.95]  | 43.9<br>[1.73]  | 20.0<br>[.79]  | 45        | 15        | 1.52<br>[.06] | 1.02<br>[.04] | 3.63<br>[.008]                 |
| 562A022     | 19.3<br>[.76]  | 9.7<br>[.38]   | 9.4<br>[.37]   | 5.3<br>[.21]  | 35.6<br>[1.40]  | 36.1<br>[1.42]  | 32.0<br>[1.26] | 43.2<br>[1.70]  | 23.1<br>[.91]  | 45        | 15        | 1.78<br>[.07] | 1.02<br>[.04] | 6.80<br>[.015]                 |
| 562A032     | 19.3<br>[.76]  | 9.7<br>[.38]   | 13.2<br>[.52]  | 6.9<br>[.27]  | 49.3<br>[1.94]  | 36.1<br>[1.42]  | 45.0<br>[1.77] | 50.5<br>[1.99]  | 25.4<br>[1.00] | 45        | 15        | 1.78<br>[.07] | 1.52<br>[.06] | 13.61<br>[.030]                |
| 562A043     | 26.9<br>[1.06] | 13.0<br>[.51]  | 13.2<br>[.52]  | 6.9<br>[.27]  | 49.3<br>[1.94]  | 51.8<br>[2.04]  | 45.0<br>[1.77] | 65.8<br>[2.59]  | 33.5<br>[1.32] | 45        | 15        | 2.54<br>[.10] | 1.52<br>[.06] | 18.60<br>[.041]                |
| 562A054     | 38.6<br>[1.52] | 18.5<br>[.73]  | 19.3<br>[.76]  | 9.7<br>[.38]  | 71.9<br>[2.83]  | 74.9<br>[2.95]  | 65.3<br>[2.57] | 95.3<br>[3.75]  | 46.5<br>[1.83] | 45        | 15        | 3.05<br>[.12] | 1.78<br>[.07] | 54.43<br>[.120]                |
| 562A067     | 55.6<br>[2.19] | 26.7<br>[1.05] | 26.9<br>[1.06] | 13.0<br>[.51] | 101.6<br>[4.00] | 108.5<br>[4.27] | 92.5<br>[3.64] | 135.1<br>[5.32] | 65.5<br>[2.58] | 45        | 15        | 4.57<br>[.18] | 2.54<br>[.10] | 149.69<br>[.330]               |

RELEASED FOR PUBLICATION

ALL RIGHTS RESERVED.

THIS DRAWING IS UNPUBLISHED.

© COPYRIGHT - BY -

|   |                  |           |  |        |
|---|------------------|-----------|--|--------|
| DIMENSIONS:<br>mm [INCHES]  | DWN              | 31JAN2019 | MATERIAL   | FINISH |
|   | PRAVEEN N T      |           | SEE SHEET 2  | -      |
| TOLERANCES UNLESS OTHERWISE SPECIFIED:                                      | CHK              | 31JAN2019 | TE Connectivity Ltd.   |        |
|   | N NAGAR          |           |  |        |
| 0 PLC ± -<br>1 PLC ± -<br>2 PLC ± -<br>3 PLC ± -<br>4 PLC ± -<br>ANGLES ± - | APVD             | 31JAN2019 | NAME<br>TRANSITION, 1 TO 4 CABLES  |        |
|   | M TAYLOR         |           |  |        |
| WEIGHT  | PRODUCT SPEC     | -         | SIZE   CAGE CODE   DRAWING NO   RESTRICTED TO<br>A4   00779   C-562A011-XX-0THRU067-XX-0   - |        |
|   | APPLICATION SPEC | -         |  |        |
| CUSTOMER DRAWING  |                  |           | SCALE  | DNS    |
|   |                  |           | SHEET  | 1 OF 2 |
|   |                  |           | REV  | R      |

| REVISIONS |     |             |      |     |      |
|-----------|-----|-------------|------|-----|------|
| P         | LTR | DESCRIPTION | DATE | DWN | APVD |
|           | -   | SEE SHEET 1 | -    | -   | -    |

| COMPATABILITY CHART |                                   |         |                   |                   |
|---------------------|-----------------------------------|---------|-------------------|-------------------|
| MATERIAL DASH NO.   | MATERIAL DESCRIPTION              | RT SPEC | COATINGS LASH NO. | COATINGS NO.      |
| -3                  | Polyolefin, Semi-rigid            | RT-301  | /42;/86;/180      | S1017;S1048;S1030 |
| -4                  | Polyolefin, Flexible              | RT-1304 | /42;/86;/180      | S1017;S1048;S1030 |
| -12                 | Fluoroelastomer, flexible         | RT-1312 | N/A               | N/A               |
| -25                 | Elastomer, Fluid Resistant        | RW-2070 | /42;/86;/225      | S1017;S1048;S1206 |
| -100                | Polyolefin, Semi-flexible ZEROHAL | RW-2082 | /86;/180          | S-1048;S-1030     |


ORDERING INFORMATION

Base part number 562A0XX -XX -XX /XX -0  
 Material dash number \_\_\_\_\_  
 (See Compatability Chart)  
 Modification number \_\_\_\_\_  
 Adhesive slash number \_\_\_\_\_  
 (If necessary, see Compatability Chart)  
 Color designator \_\_\_\_\_

NOTES

- Dimensions appearing in table are as follows:
  - a - As Supplied
  - b - After Unrestricted Recovery
- Coating is optional. As supplied dimensions appearing in table are for uncoated parts. When coating is added, entry diameters will be reduced by 1.5mm[.06] max.
- Molding ports are optional. When -00 modification number is specified molding ports will be located as shown.
- Weight appearing in table of dimensions is based on polyolefin part.

THIS DRAWING IS UNPUBLISHED. ALL RIGHTS RESERVED. RELEASED FOR PUBLICATION.

|  |                  |           |   |                           |                            |               |
|--|------------------|-----------|---|---------------------------|----------------------------|---------------|
| DIMENSIONS:<br>mm [INCHES]             | DWN              | 31JAN2019 | MATERIAL  | -                         | FINISH                     | -             |
|  | CHK              | 31JAN2019 |  TE Connectivity Ltd. |                           |                            |               |
| TOLERANCES UNLESS OTHERWISE SPECIFIED: | APVD             | 31JAN2019 |   |                           |                            |               |
| 0 PLC ± -                              | PRODUCT SPEC     | -         | NAME  | TRANSITION, 1 TO 4 CABLES |                            |               |
| 1 PLC ± -                              | APPLICATION SPEC | -         | SIZE  | CAGE CODE                 | DRAWING NO                 | RESTRICTED TO |
| 2 PLC ± -                              | WEIGHT           | -         | A4  | 00779                     | C-562A011-XX-0THRU067-XX-0 | -             |
| 3 PLC ± -                              | CUSTOMER DRAWING |           |   | SCALE                     | DNS                        | SHEET 2 OF 2  |
| 4 PLC ± -                              |                  |           |   | REV                       | R                          |               |
| ANGLES ± -                             |                  |           |   |                           |                            |               |

