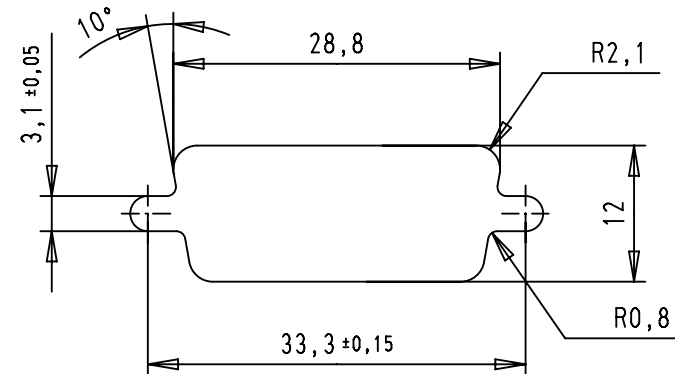
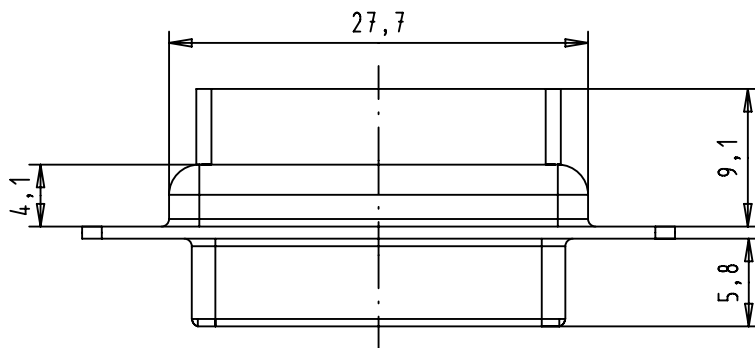


Panel cut out



	All rights reserved Department EC PD - FR	All Dimensions in mm Original Size DIN A4		Scale 2:1	Free size tol.		Ref. Sub.		
		HARTING Electronics GmbH & Co. KG D-32339 Espelkamp	Created by DOUGE	Inspected by BAGDIKIAN	Standardisation HOFFMANN	Date 2012-09-12	State Final Release		Doc-Key / ECM-Nr. 100513463/UGD/001/A 500000055151
		Title D-Sub HD 26P female for crimp contacts				Type TB		Number 09562004701	
						Rev. A		Page 1/1	