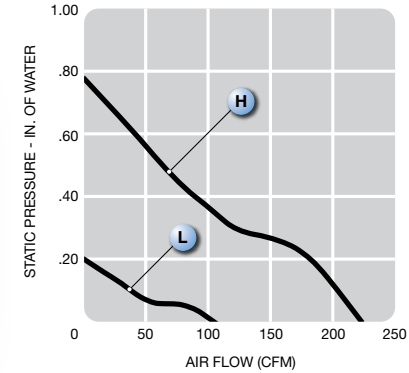
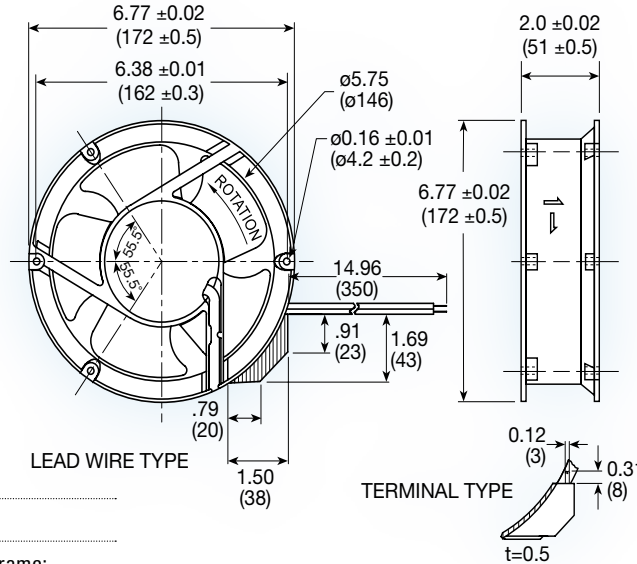


# UF17PC series



**(172 dia. x 51 mm)**  
6.77 dia. x 2.0 inches

Operating voltage: 115 or 230 VAC

Construction: aluminum die cast frame;  
UL94V-0 PBT impeller

Bearing option: ball bearing

Motor: permanent split capacitor

Air Flow: exhaust over struts

Connection: terminal or 22 AWG lead wire

Protection: thermal

Option: IP55; IP55 + salt fog

Model No.	Rated Voltage V	Freq. HZ	Input Power W	Rated Cur. A	Locked Cur. A	Speed RPM	Air Volume		Max. Static Pressure (H <sub>2</sub> O)		Sound Noise dbA	Weight kg
							M <sup>3</sup> /Min.	CFM	MM	INCH		
UF17PC12-__H	115	60	31	0.25	0.43	3,400	6.4	226	20	0.79	55	0.82
UF17PC23-__H	230	60	29	0.12	0.19	3,400	6.4	226	20	0.79	55	0.82
UF17PC12-__L	115	60	31	0.15	0.20	1,700	3.0	106	5.5	0.22	37	0.82
UF17PC23-__L	230	60	29	0.07	0.09	1,700	3.0	106	5.5	0.22	37	0.82

