

LAYOUT SHOWN AS EXAMPLE

Keying Shown as example

CHARACTERISTICS

- Standard : Based on MIL-DTL-38999 Series III
- Shell Material : Aluminium
- Shell Plating : Black Zinc Nickel
- Insulator : Thermoplastic
- Contacts : Copper Alloy
- Seals & Grommet : Silicon Elastomer
- Contact Plating : Gold over copper Alloy 0.8µm minimum
- Durability : 500 Mating cycles
- Delivered with Souriau contacts and Accessories
- Temperature Range : -65°C to +175°C
- Salt Spray : 500 hours
- Mass : 14.49 g ± 10%

| Connector dimension | |
|---------------------|---------------|
| Dim | Nominal |
| P | 3.25±0.2 |
| PP | 4.93±0.2 |
| R1 | 20.62 |
| R2 | 18.26 |
| S | 26.2±0.3 |
| V | 20.83+0/-1.25 |
| W | 2.1/2.5 |
| Z | 31.5 Max |
| VV THREAD | M15x1-6g |

SOURIAU shall not be liable for any non-conformity or damage due to a use of the Products which does not comply with the Specifications issued by either of the Parties or by a third party (professional recommendation, technical notice.)

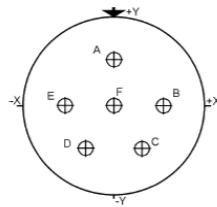
| Country | Jurisdiction & Control List |
|---------|-----------------------------|
| FR | Not Listed |

PN: 8D011Z98BE

| | | | |
|---|------------------------------------|--------------------------------|-------------------------------|
| A | 09-10-2016 | First Release | |
| ISS | DATE | Latest modification - by | MOD N° |
| Designed By: | | Date: | CUSTOMER DRAWING |
| TITLE | | Aluminium Receptacle 8D series | |
| SCALE | NA | General linear Tolerances: ±-- | NPRDS / PROJECT 859 |
| SOURIAU | | WWW.SOURIAU.COM | |
| This document is the property of SOURIAU it must not be reproduced or communicated without permission | | | |
| FORMAT | SOURIAU DRG N° 8D011Z98BE-C | | SHEET 1/2 |

| | | | | | | | | |
|---------------|----------------------------|---|---|----|---|----|---|------------------------------------|
| BASIC SERIES: | 8D | 0 | - | 11 | Z | 98 | B | E |
| SHELL TYPE | : Square Flange Receptacle | | | | | | | |
| CONTACT TYPE | : Standard Crimp Contact | | | | | | | |
| SHELL SIZE | : 11 | | | | | | | |
| PLATING | : Z = Black Zinc Nickel | | | | | | | |
| | | | | | | | | ORIENTATION : E |
| | | | | | | | | CONTACT TYPE : SOCKET(500 Matings) |
| | | | | | | | | CONTACT LAYOUT : 11-98 |

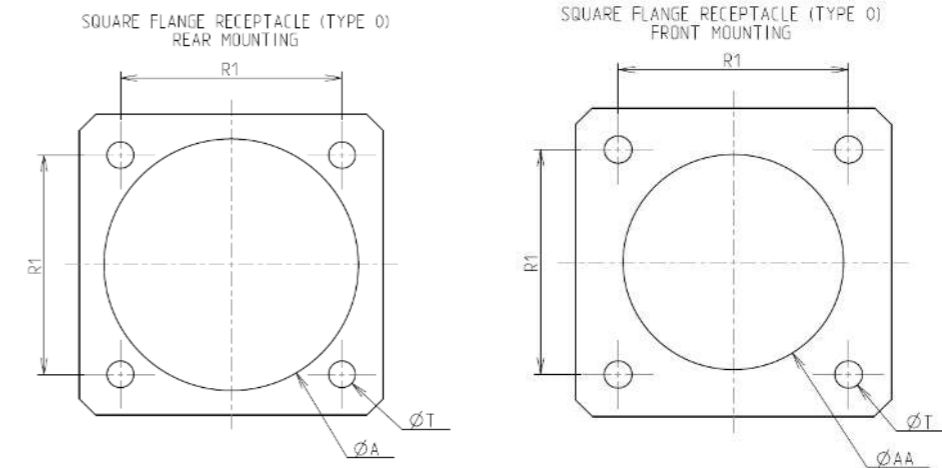
Contact Layout



| Contacts (Insert arrangement 11-98) | | |
|--|------------------|-------------|
| Contact position ID | Contact location | |
| | X-axis (mm) | Y-axis (mm) |
| A | +000 (0.00) | +130 (3.30) |
| B | +130 (3.30) | +000 (0.00) |
| C | +065 (1.65) | -113 (2.87) |
| D | -065 (1.65) | -113 (2.87) |
| E | -130 (3.30) | +000 (0.00) |
| F | +000 (0.00) | +000 (0.00) |

| Shell size | Arrangement no. | Number of contacts | Size contacts | Service rating | Contact location | Supersedes |
|------------|-----------------|--------------------|---------------|----------------|------------------|------------|
| 11 | -98 | 6 | 20 | I | All | MS20050-98 |

Panel Cutout



| Dim | Nominal |
|-----|------------|
| ØA | 20.22 min |
| ØAA | 15.88 min |
| R1 | 20.62 |
| ØT | 3.25 ±0.13 |

SOURIAU shall not be liable for any non-conformity or damage due to a use of the Products which does not comply with the Specifications issued by either of the Parties or by a third party (professional recommendation, technical notice.)

| Country | Jurisdiction & Control List |
|---------|-----------------------------|
| FR | Not Listed |

PN: 8D011Z98BE

| | | | |
|----------------|------------------------------------|----------------------------|---|
| A | 09-10-2016 | First Release | |
| ISS | DATE | Latest modification - by | MOD N° |
| Designed By: | | Date: | CUSTOMER DRAWING |
| TITLE | Aluminium Receptacle 8D series | | |
| SCALE | | General linear Tolerances: | NPRDS / PROJECT |
| NA | | ±-- | 859 |
| SOURIAU | WWW.SOURIAU.COM | | This document is the property of SOURIAU it must not be reproduced or communicated without permission |
| FORMAT | SOURIAU DRG N° 8D011Z98BE-C | | SHEET 2/2 |