

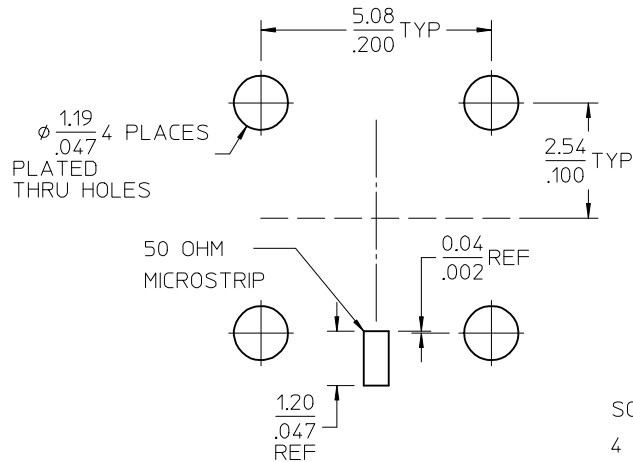
MATERIALS AND FINISHES:

BODY: BRASS
 PLATED: GOLD (8μ-in MIN)
 OVER NICKEL (80μ-in MIN)

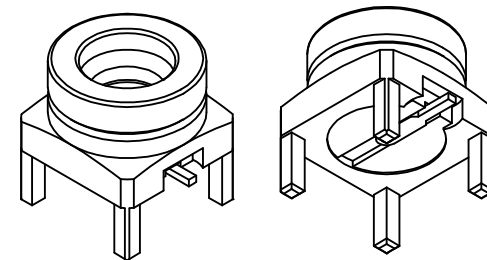
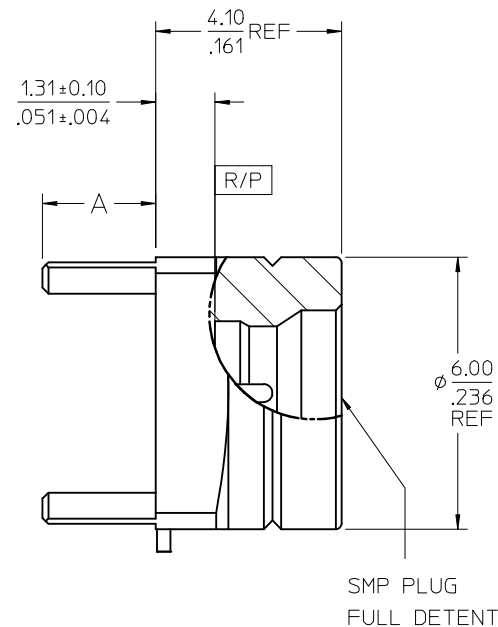
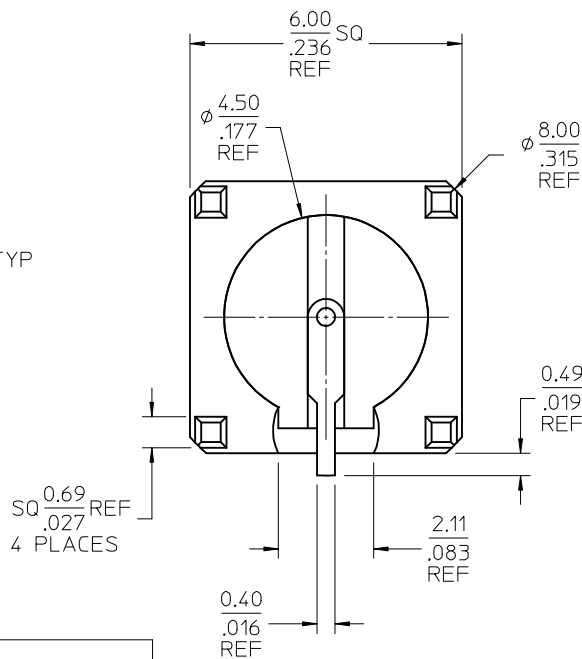
CONTACT: BRASS
 PLATED: GOLD (30μ-in MIN)
 OVER NICKEL (100μ-in MIN)

INSULATOR: PEEK OR LCP

TAPE AND REEL: SEE SHEET 2



RECOMMENDED PCB LAYOUT



73406-6356	.098 / 2.50	ONE PER BAG (73406-6351)
73406-6355	.135 / 3.43	TRAY PACK (73406-6354)
73406-6354	.135 / 3.43	TAPE AND REEL (750 PARTS PER REEL)
73406-6353	.067 / 1.70	TRAY PACK (73406-6352)
73406-6352	.067 / 1.70	TAPE AND REEL (750 PARTS PER REEL)
73406-6351	.098 / 2.50	TRAY PACK (73406-6350)
73406-6350	.098 / 2.50	TAPE AND REEL (750 PARTS PER REEL)
PART NO.	IN / MM	PACKAGING
	DIM A (REF)	

PS-89675-3320	PRODUCT SPECIFICATION
MIL-STD-348B, FIG. 326.2	INTERFACE SMP FD
SPECIFICATION	DESCRIPTION

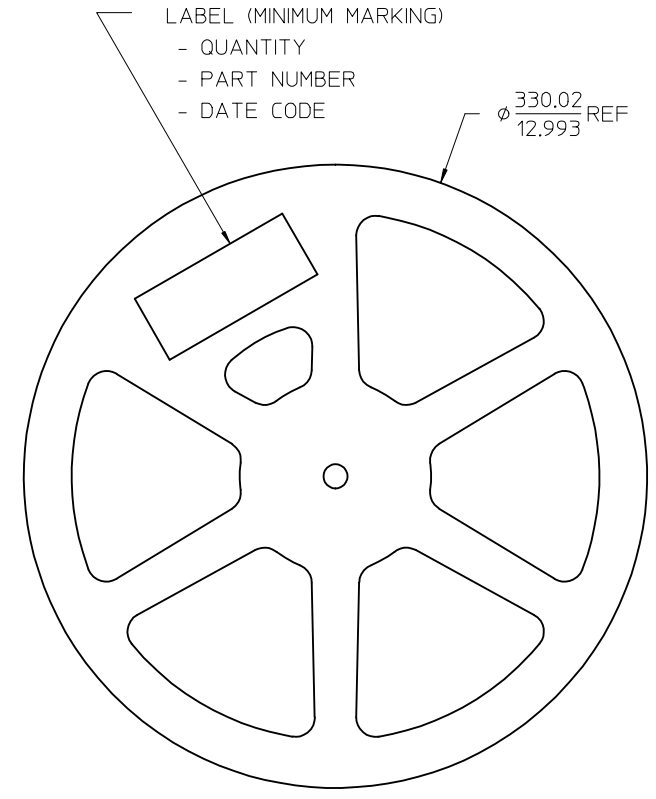
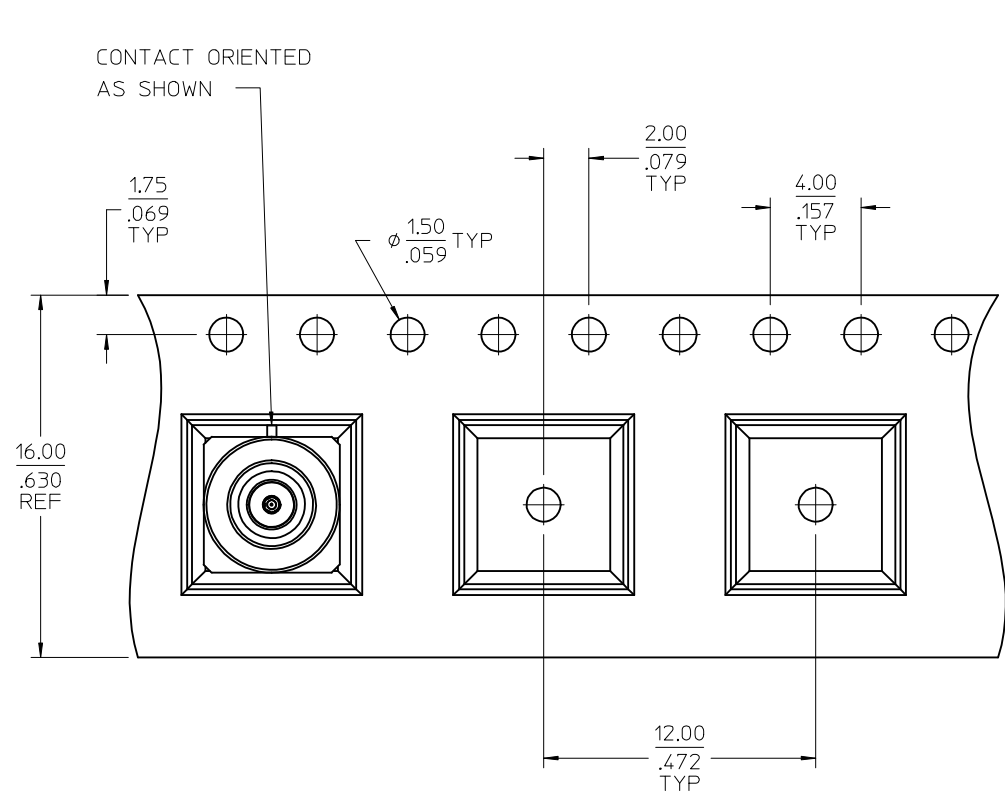
CHG: ADD TOLERANCE TO DIM 1.31/.051 IN I4 ZONE. UPD MATERIALS AND FINISHES NOTE. EC NO: URF-2017-0394. DRWINAPRAKASH01 2017/05/30. CHKD:888 2017/05/30. APPR:AROBERTSON 2017/06/28.

REV	DESCRIPTION
A1	

QUALITY SYMBOLS	
▽=0	
▽=0	
▽=0	

GENERAL TOLERANCES (UNLESS SPECIFIED)	
mm	INCH
4 PLACES ± ---	± ---
3 PLACES ± ---	± .010
2 PLACES ± 0.25	± ---
1 PLACE ± ---	± ---
0 PLACE ± ---	± ---
ANGULAR ± 2 °	
DRAFT WHERE APPLICABLE MUST REMAIN WITHIN DIMENSIONS	

DIMENSION STYLE		SCALE	DESIGN UNITS	THIRD ANGLE PROJECTION
MM/IN			INCH	
DRAWN BY	DATE	TITLE		
AROBERTSON	2012/06/05	SMP PLUG FULL DETENT VERT PCB TH SMT SIGNAL SMP-P/PCB, EWR-4979		
CHECKED BY	DATE	molex		
SSS	2012/06/05			
APPROVED BY	DATE	DOCUMENT NO.	SHEET NO.	
JWIENER	2012/06/11	SD-73406-635	1 OF 2	
MATERIAL NO. SEE TABLE				
THIS DRAWING CONTAINS INFORMATION THAT IS PROPRIETARY TO MOLEX INCORPORATED AND SHOULD NOT BE USED WITHOUT WRITTEN PERMISSION				



CHG: SEE SHEET 1 EC NO: URF2017-0394 DRWN:APRAKASHO1 2017/05/30 CHKD:BBB 2017/05/30 APPR:AROBERTSON 2017/06/28	QUALITY SYMBOLS	GENERAL TOLERANCES (UNLESS SPECIFIED)	DIMENSION STYLE	SCALE	DESIGN UNITS	THIRD ANGLE PROJECTION
	▽=0	mm INCH	MM/IN	INCH	INCH	
	▽=0	4 PLACES ± --- ± ---	DRAWN BY DATE	TITLE		
	▽=0	3 PLACES ± --- ± .010	AROBERTSON 2012/06/05	SMP PLUG FULL DETENT VERT PCB TH SMT SIGNAL SMP-P/PCB, EWR-4979		
	2 PLACES ± 0.25 ± ---	CHECKED BY DATE	DOCUMENT NO.			
	1 PLACE ± --- ± ---	SSS 2012/06/05	SD-73406-635			
	0 PLACE ± --- ± ---	APPROVED BY DATE	SHEET NO.			
		JWIENER 2012/06/11	2 OF 2			
			SEE SHEET 1			
			THIS DRAWING CONTAINS INFORMATION THAT IS PROPRIETARY TO MOLEX INCORPORATED AND SHOULD NOT BE USED WITHOUT WRITTEN PERMISSION			